



Implant-One Zirconium Custom Abutment Interface (hybrid abutment interface)

Implant-One Zirconium abutment interface is the base on which custom zirconium abutments are cemented

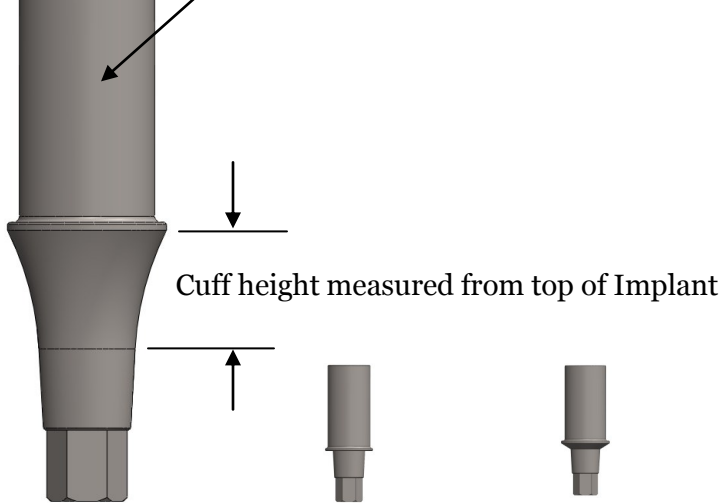
Made of Grade 5 Titanium.

Available in 5 different cuff heights ranging from 0 to 3 mm, for both 100 and 200 series.

Titanium retaining screw included

Can also be used as a temporary abutment

3 mm diameter barrel can be modified as necessary



100 Series
200 Series

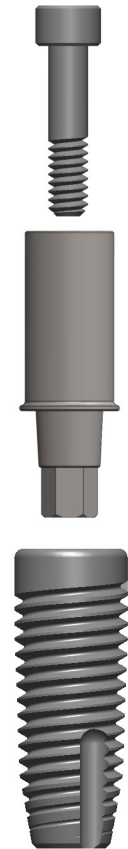
IT130-00
IT230-00

IT130-05
IT230-05

IT130-10
IT230-10

IT130-20
IT230-20

IT130-30
IT230-30



Zirconium Abutment
with Screw
and Implant

Implant-One Zirconium Abutment Part Numbers