



IMPLANT ONE POSITIONER DENTURE RETAINING ABUTMENT

Positioner Abutments are used to secure removable denture prosthetics.

- Machined from 6AL4V E.L.I. titanium.
- Available in 6 different cuff heights.



Maximum Torque
20Ncm (300 Series)
30Ncm (400 & 500 Series)

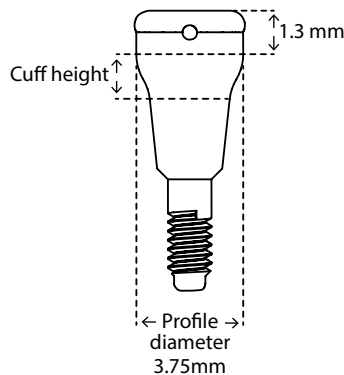
Use the DLR-0345-00 Abutment Driver to install. Fits 4 mm ratchets and torque wrenches.

Gold anodization for superior aesthetics.



Sizes Available and Part Numbers

CUFF HEIGHT	300 series	400 series	500 series
0.5 mm	ALR-0305-00	ALR-0405-00	ALR-0505-00
1 mm	ALR-0310-00	ALR-0410-00	ALR-0510-00
2 mm	ALR-0320-00	ALR-0420-00	ALR-0520-00
3 mm	ALR-0330-00	ALR-0430-00	ALR-0530-00
4 mm	ALR-0340-00	ALR-0440-00	ALR-0540-00
5 mm	ALR-0350-00	ALR-0450-00	ALR-0550-00
6 mm	ALR-0360-00	ALR-0460-00	ALR-0560-00
7 mm	ALR-0370-00	ALR-0470-00	ALR-0570-00



Specifications
Material: 6AL4V E.L.I. Titanium
Profile Diameter: 3.75 mm
Cuff height: .5 mm – 5 mm

