



Implant-One Ball Abutments (denture retaining abutments)

Implant-One Ball Abutments are used to secure dentures using Rhein 83 Standard 2.5mm Attachments.

Made from Grade 5 Titanium

Abutments are available for both Implant-One platforms in 4 different cuff heights.

Rhein 83 components are ordered directly from Rhein 83 USA. (www.rhein83usa.com/prd/SpheroBlock.aspx)

100 Series



IT135-20

IT235-20

IT135-30

IT235-30

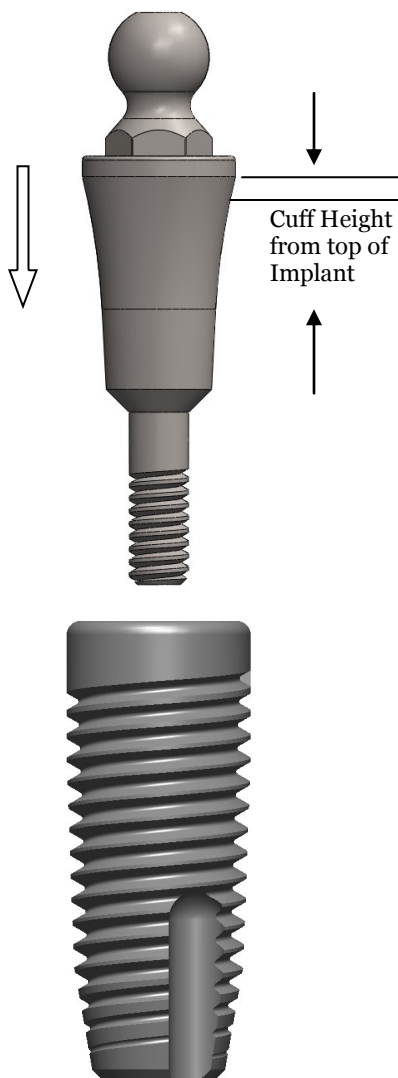
IT135-40

IT235-40

IT135-50

IT235-50

200 Series



Ball compatible with
Rhein 83 Standard
2.5mm components

Used Rhein Key for Sphero
Block , Rhein P/N 771CEF
To install into Implant
(2.3mm Hex)

Torque to 20Ncm Max

