

Qty. Description

1 UPS 65-60/2 F



Note! Product picture may differ from actual product

Product No.: [96402260](#)

The pump is of the canned rotor type, i.e. pump and motor form an integral unit without shaft seal and with only two gaskets for sealing. The bearings are lubricated by the pumped liquid.

In order to avoid problems in connection with disposal, great importance has been attached to using as few different materials as possible.

The pump is characterized by:

Speed no: * 3 speed motor.

- * Ceramic radial bearings.
- * Carbon axial bearing.
- * Stainless steel rotor can, bearing plate and rotor cladding.

- * Aluminium alloy stator housing.

Pump housing: * Cast iron pump housing.

- * Stator with built-in thermal switch.

Phase: The motor is a 3-phase motor.

The pump is supplied with a standard module in the terminal box.

The standard module is to be connected to the mains supply via external contactor.

Controls:

Relay: without relay

Liquid:

Pumped liquid: Water

Liquid temperature range: -10 .. 120 °C

Selected liquid temperature: 60 °C

Density: 983.2 kg/m³

Technical:

Approvals on nameplate: AAA,EAC

Materials:

Pump housing: Cast iron
EN-JL1040
ASTM 35 B - 40 B

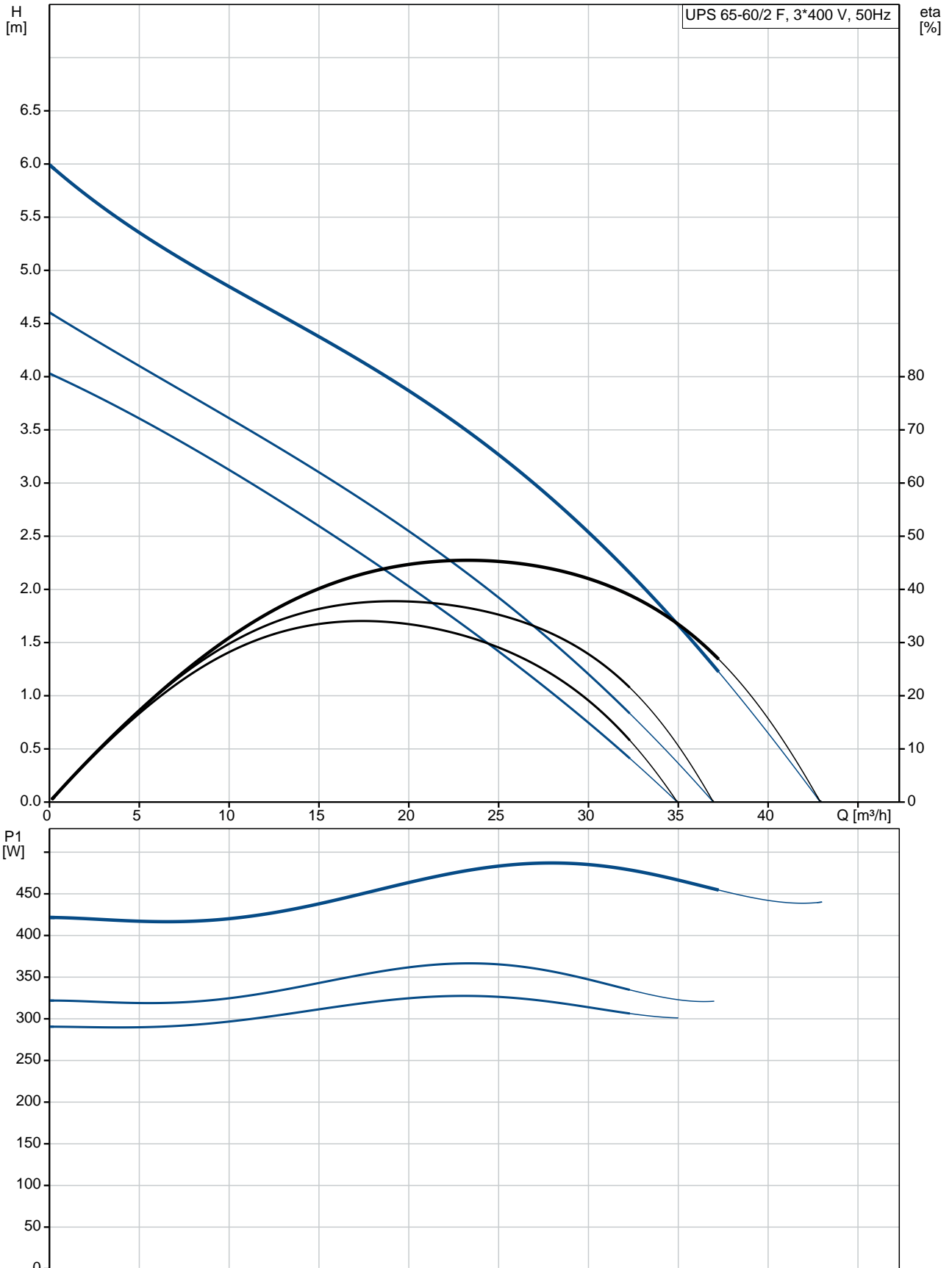
Impeller: Stainless steel
DIN W.-Nr. 1.4301
AISI 304

Installation:

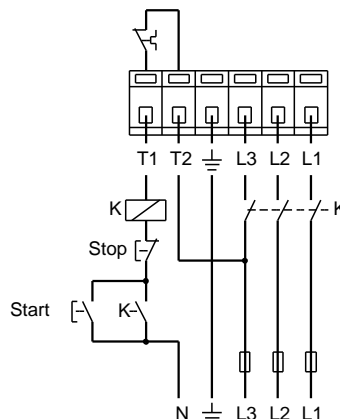
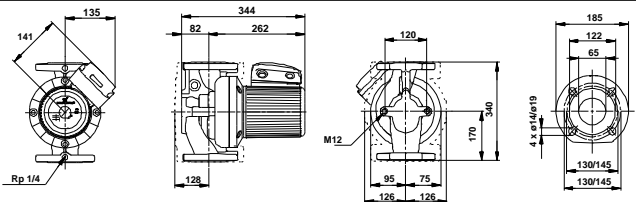
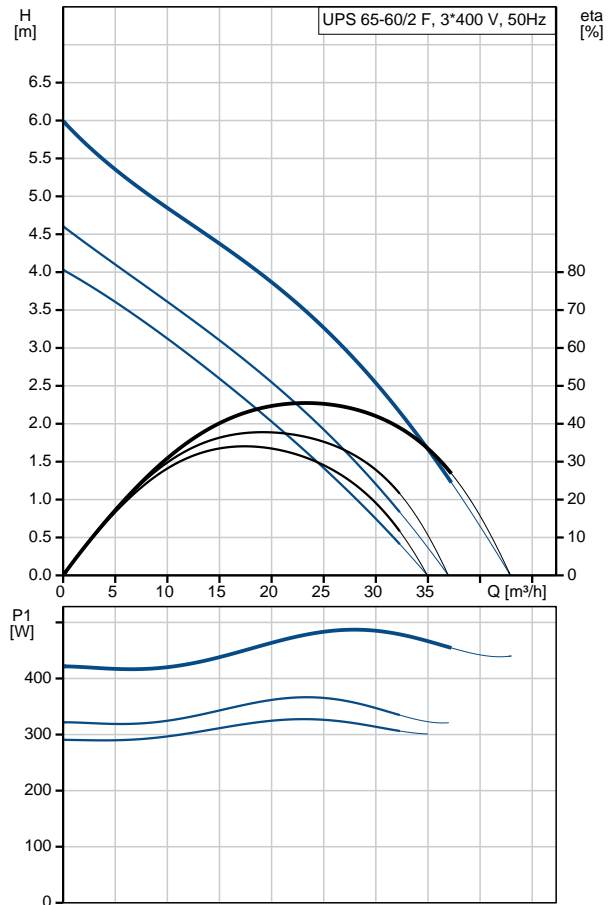
Range of ambient temperature: 0 .. 40 °C

| Qty. | Description |
|------|---------------------------------------|
| | Maximum operating pressure: 10 bar |
| | Flange standard: DIN |
| | Pipe connection: DN 65 |
| | Pressure rating: PN 6 / PN 10 |
| | Port-to-port length: 340 mm |
| | Electrical data: |
| | Power input in speed 1: 330 W |
| | Power input in speed 2: 370 W |
| | Max. power input: 490 W |
| | Mains frequency: 50 Hz |
| | Rated voltage: 3 x 400-415 V |
| | Current in speed 1: 0.56 A |
| | Current in speed 2: 0.64 A |
| | Current in speed 3: 1.05 A |
| | Cos phi in speed 1: 0.85 |
| | Cos phi in speed 2: 0.83 |
| | Cos phi: 0.67 |
| | Number of poles: 2 |
| | Insulation class (IEC 85): F |
| | Enclosure class (IEC 60529): X4D |
| | Others: |
| | Net weight: 25.6 kg |
| | Gross weight: 26.1 kg |
| | Shipping volume: 0.043 m ³ |
| | Danish VVS No.: 380733243 |
| | Norwegian NRF no.: 9042434 |
| | Country of origin: DE |
| | Custom tariff no.: 84137090629206077 |

96402260 UPS 65-60/2 F 50 Hz



| Description | Value |
|-------------------------------|-------------------------|
| General information: | |
| Product name: | UPS 65-60/2 F |
| Product No: | 96402260 |
| EAN number: | 5708601058950 |
| Price: | |
| Technical: | |
| Speed no: | 3 |
| Head max: | 60 dm |
| Approvals on nameplate: | AAA,EAC |
| Materials: | |
| Pump housing: | Cast iron |
| Pump housing: | EN-JL1040 |
| Pump housing: | ASTM 35 B - 40 B |
| Impeller: | Stainless steel |
| Impeller: | DIN W.-Nr. 1.4301 |
| Impeller: | AISI 304 |
| Installation: | |
| Range of ambient temperature: | 0 .. 40 °C |
| Maximum operating pressure: | 10 bar |
| Flange standard: | DIN |
| Pipe connection: | DN 65 |
| Pressure rating: | PN 6 / PN 10 |
| Port-to-port length: | 340 mm |
| Liquid: | |
| Pumped liquid: | Water |
| Liquid temperature range: | -10 .. 120 °C |
| Selected liquid temperature: | 60 °C |
| Density: | 983.2 kg/m ³ |
| Electrical data: | |
| Power input in speed 1: | 330 W |
| Power input in speed 2: | 370 W |
| Max. power input: | 490 W |
| Mains frequency: | 50 Hz |
| Rated voltage: | 3 x 400-415 V |
| Current in speed 1: | 0.56 A |
| Current in speed 2: | 0.64 A |
| Current in speed 3: | 1.05 A |
| Cos phi in speed 1: | 0.85 |
| Cos phi in speed 2: | 0.83 |
| Cos phi: | 0.67 |
| Number of poles: | 2 |
| Insulation class (IEC 85): | F |
| Enclosure class (IEC 60529): | X4D |
| Motor protec: | CONTACT |
| Thermal protec: | external |
| Controls: | |
| Relay: | without relay |
| Pos term box: | 1.30H |
| Others: | |
| Net weight: | 25.6 kg |
| Gross weight: | 26.1 kg |
| Shipping volume: | 0.043 m ³ |
| Danish VVS No.: | 380733243 |
| Norwegian NRF no.: | 9042434 |
| Country of origin: | DE |
| Custom tariff no.: | 84137090629206077 |





Company name:

Created by:

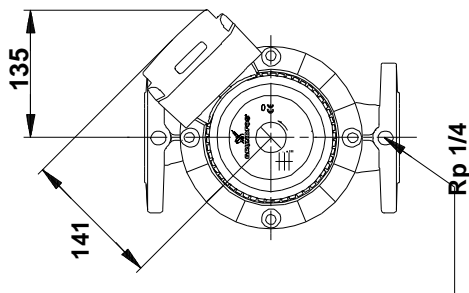
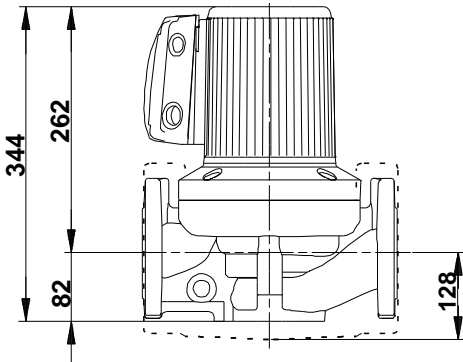
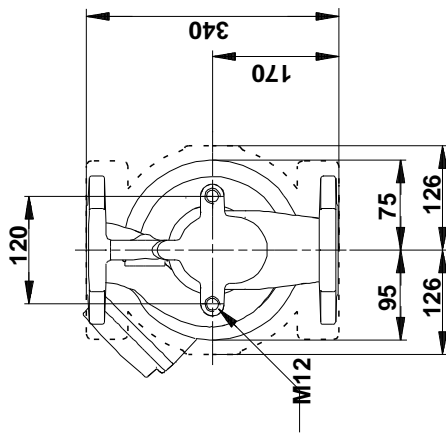
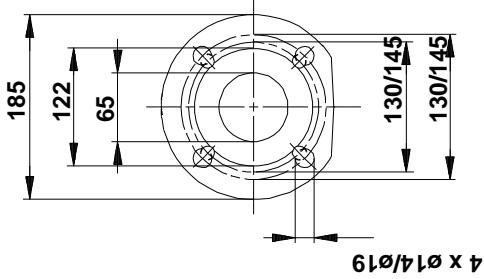
Phone:

Date:

28/10/2020

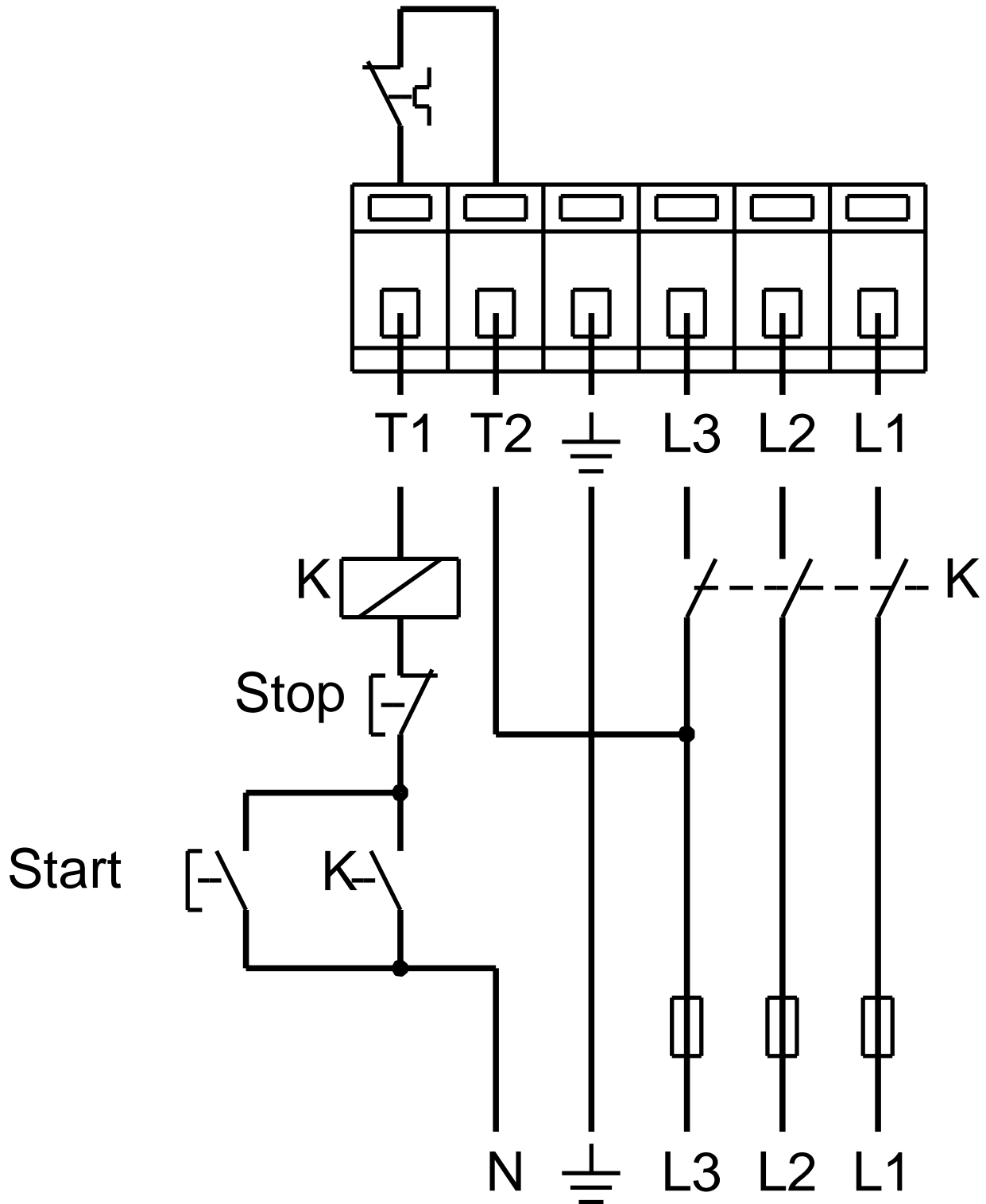
96402260 UPS 65-60/2 F 50 Hz

96402260 UPS 65-60/2 F 50 Hz



Note! All units are in [mm] unless others are stated.
Disclaimer: This simplified dimensional drawing does not show all details.

96402260 UPS 65-60/2 F 50 Hz



Note! All units are in [mm] unless others are stated.