
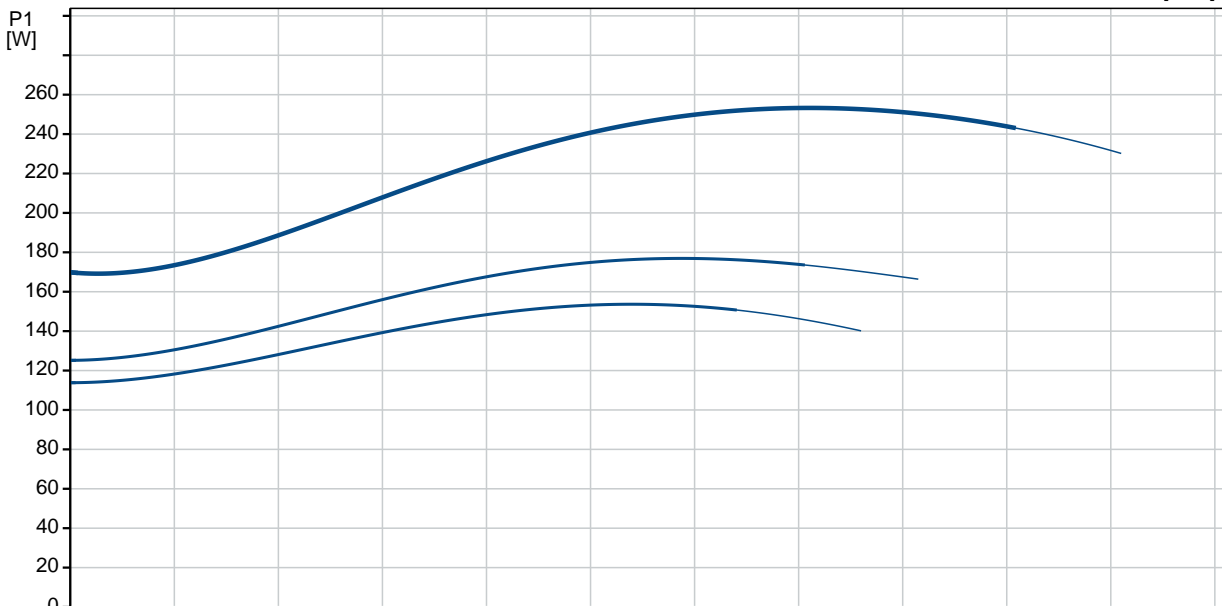
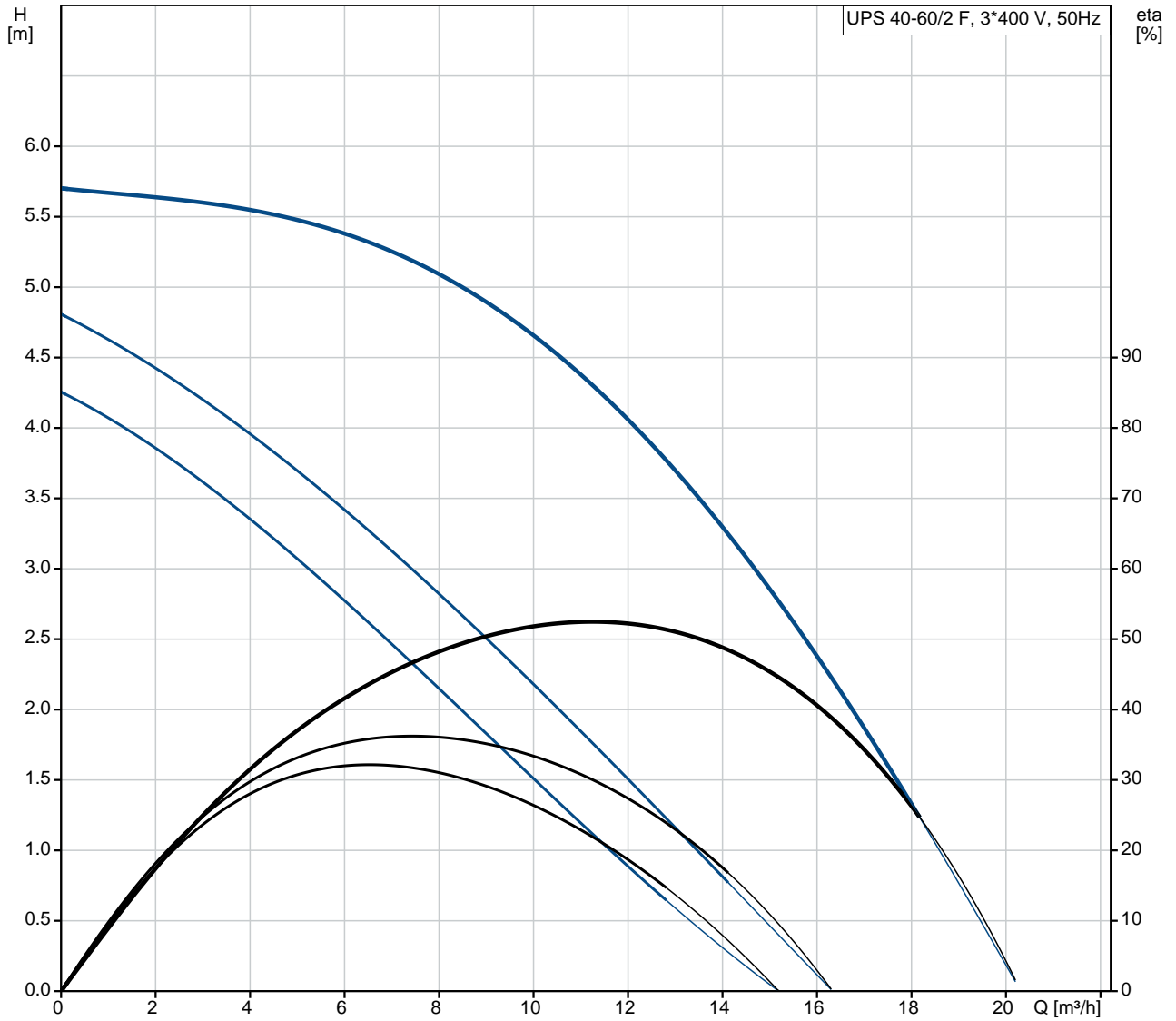


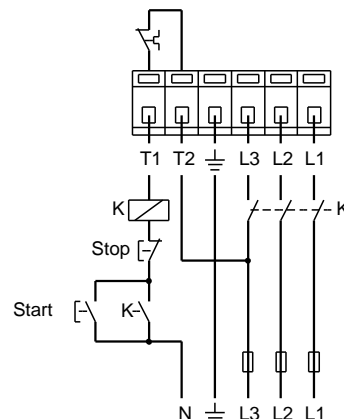
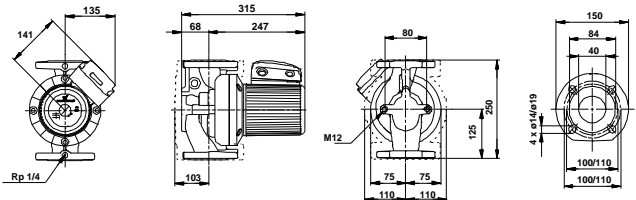
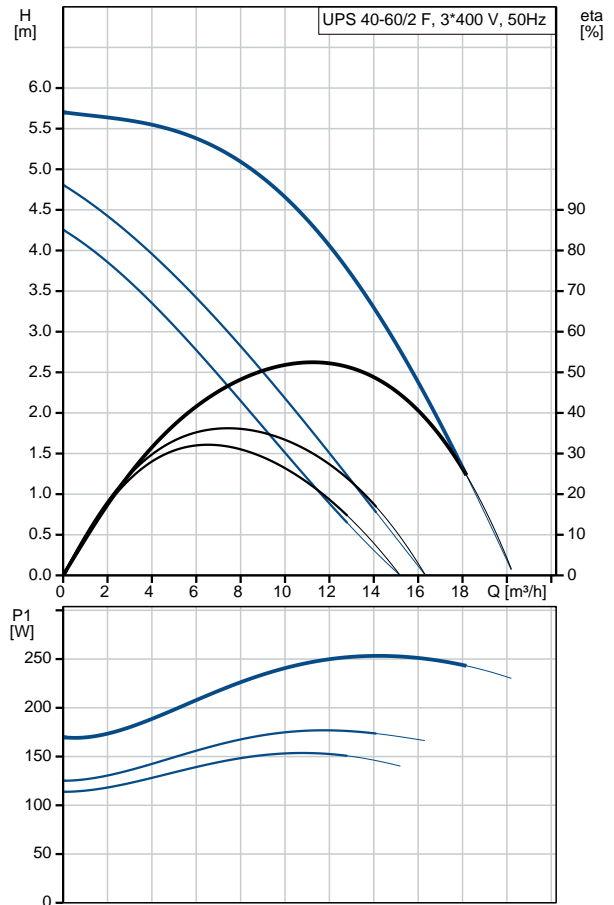
Qty.	Description
1	<p data-bbox="199 340 367 369">UPS 40-60/2 F</p>  <p data-bbox="590 638 1077 660">Note! Product picture may differ from actual product</p> <p data-bbox="199 667 734 817">Product No.: On request The pump is of the canned rotor type, i.e. pump and motor form an integral unit without shaft seal and with only two gaskets for sealing. The bearings are lubricated by the pumped liquid.</p> <p data-bbox="199 846 734 929">In order to avoid problems in connection with disposal, great importance has been attached to using as few different materials as possible.</p> <p data-bbox="199 936 734 1198">The pump is characterized by: Speed no: * 3 speed motor. * Ceramic radial bearings. * Carbon axial bearing. * Stainless steel rotor can, bearing plate and rotor cladding. * Aluminium alloy stator housing. Pump housing: * Cast iron pump housing. * Stator with built-in thermal switch.</p> <p data-bbox="199 1232 893 1265">Phase: The motor is a 3-phase motor.</p> <p data-bbox="199 1294 718 1411">The pump is supplied with a standard module in the terminal box. The standard module is to be connected to the mains supply via external contactor.</p> <p data-bbox="199 1444 710 1500">Controls: Relay: without relay</p> <p data-bbox="199 1534 710 1680">Liquid: Pumped liquid: Water Liquid temperature range: -10 .. 120 °C Selected liquid temperature: 60 °C Density: 983.2 kg/m³</p> <p data-bbox="199 1713 678 1769">Technical: Approvals on nameplate: AAA,EAC</p> <p data-bbox="199 1803 774 2004">Materials: Pump housing: Cast iron EN-JL1040 ASTM 35 B - 40 B Impeller: Stainless steel DIN W.-Nr. 1.4301 AISI 304</p> <p data-bbox="199 2038 678 2094">Installation: Range of ambient temperature: 0 .. 40 °C</p>

Qty.	Description
	Maximum operating pressure: 10 bar
	Flange standard: DIN
	Pipe connection: DN 40
	Pressure rating: PN 6 / PN 10
	Port-to-port length: 250 mm
	Electrical data:
	Power input in speed 1: 155 W
	Power input in speed 2: 175 W
	Max. power input: 250 W
	Mains frequency: 50 Hz
	Rated voltage: 3 x 400-415 V
	Current in speed 1: 0.25 A
	Current in speed 2: 0.29 A
	Current in speed 3: 0.46 A
	Cos phi in speed 1: 0.89
	Cos phi in speed 2: 0.87
	Cos phi: 0.78
	Number of poles: 2
	Insulation class (IEC 85): F
	Enclosure class (IEC 60529): X4D
	Others:
	Net weight: 16.6 kg
	Gross weight: 17.9 kg
	Shipping volume: 0.029 m ³
	Danish VVS No.: 380713241
	Norwegian NRF no.: 9042416
	Country of origin: DE
	Custom tariff no.: 84137090629206077

On request UPS 40-60/2 F 50 Hz



Description	Value
General information:	
Product name:	UPS 40-60/2 F
Product No:	On request
EAN number:	On request
Price:	
Technical:	
Speed no:	3
Head max:	60 dm
Approvals on nameplate:	AAA,EAC
Materials:	
Pump housing:	Cast iron
Pump housing:	EN-JL1040
Pump housing:	ASTM 35 B - 40 B
Impeller:	Stainless steel
Impeller:	DIN W.-Nr. 1.4301
Impeller:	AISI 304
Installation:	
Range of ambient temperature:	0 .. 40 °C
Maximum operating pressure:	10 bar
Flange standard:	DIN
Pipe connection:	DN 40
Pressure rating:	PN 6 / PN 10
Port-to-port length:	250 mm
Liquid:	
Pumped liquid:	Water
Liquid temperature range:	-10 .. 120 °C
Selected liquid temperature:	60 °C
Density:	983.2 kg/m ³
Electrical data:	
Power input in speed 1:	155 W
Power input in speed 2:	175 W
Max. power input:	250 W
Mains frequency:	50 Hz
Rated voltage:	3 x 400-415 V
Current in speed 1:	0.25 A
Current in speed 2:	0.29 A
Current in speed 3:	0.46 A
Cos phi in speed 1:	0.89
Cos phi in speed 2:	0.87
Cos phi:	0.78
Number of poles:	2
Insulation class (IEC 85):	F
Enclosure class (IEC 60529):	X4D
Motor protec:	CONTACT
Thermal protec:	external
Controls:	
Relay:	without relay
Pos term box:	1.30H
Others:	
Net weight:	16.6 kg
Gross weight:	17.9 kg
Shipping volume:	0.029 m ³
Danish VVS No.:	380713241
Norwegian NRF no.:	9042416
Country of origin:	DE
Custom tariff no.:	84137090629206077





Company name:

Created by:

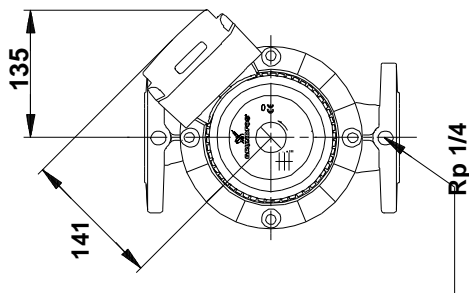
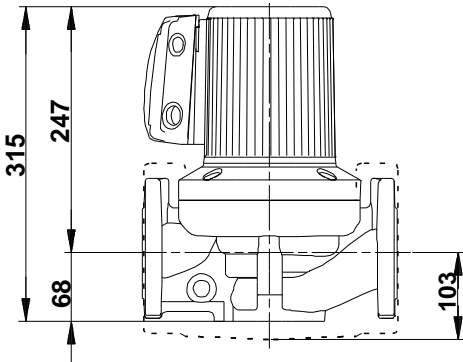
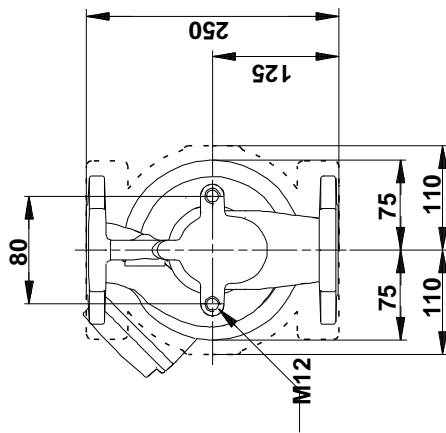
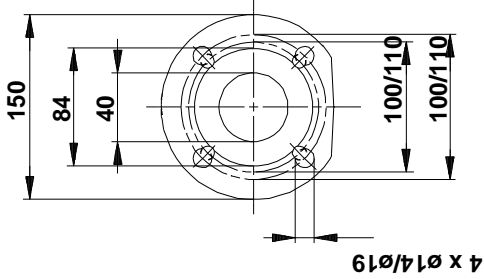
Phone:

Date:

28/10/2020

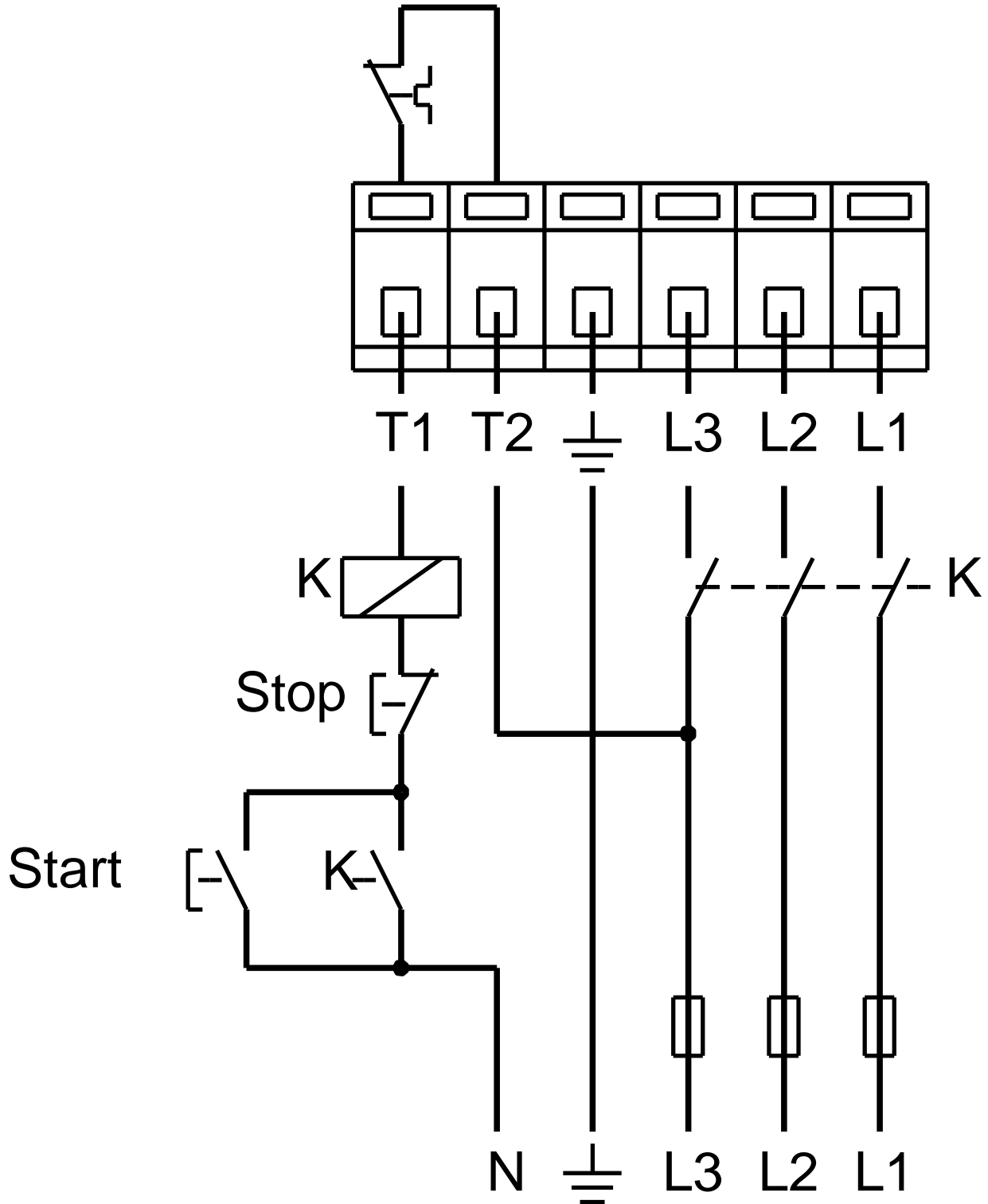
On request UPS 40-60/2 F 50 Hz

On request UPS 40-60/2 F 50 Hz



Note! All units are in [mm] unless others are stated.
Disclaimer: This simplified dimensional drawing does not show all details.

On request UPS 40-60/2 F 50 Hz



Note! All units are in [mm] unless others are stated.