

**Qty. Description**

1 **UPS 25-100 180**



**Note! Product picture may differ from actual product**

Product No.: [95906480](#)

The pump is of the canned rotor type, i.e. pump and motor form an integral unit without shaft seal and with only two gaskets for sealing.

The bearings are lubricated by the pumped liquid.

Speed no: The pump has 3-step speed selector.

The pump is characterized by:

- \* Stainless steel shaft.
- \* Ceramic radial bearing system.
- \* Carbon axial bearing.
- \* Stainless steel rotor can and bearing plate.

Impeller: \* Corrosion-resistant impeller, Composite, PES/PP.

Pump housing: \* Cast iron pump housing.

Phase: The motor is a 1-phase motor.

No additional motor protection is required.

Liquid:

Pumped liquid: Water

Liquid temperature range: -25 .. 110 °C

Selected liquid temperature: 60 °C

Density: 983.2 kg/m<sup>3</sup>

Technical:

TF class: 110

Approvals on nameplate: CE

Materials:

Pump housing: Cast iron  
EN-JL1030  
ASTM 30 B

Impeller: Composite, PES/PP

Installation:

Amb. max at 80 dgr C liquid: 40 °C

Maximum operating pressure: 10 bar

Pipe connection: G 1 1/2

Pressure rating: PN 10

Port-to-port length: 180 mm

Electrical data:

Power input in speed 1: 280 W

Power input in speed 2: 340 W

Max. power input: 345 W

Mains frequency: 50 Hz

Rated voltage: 1 x 230 V

Current in speed 1: 1.3 A

Current in speed 2: 1.5 A



Company name:

Created by:

Phone:

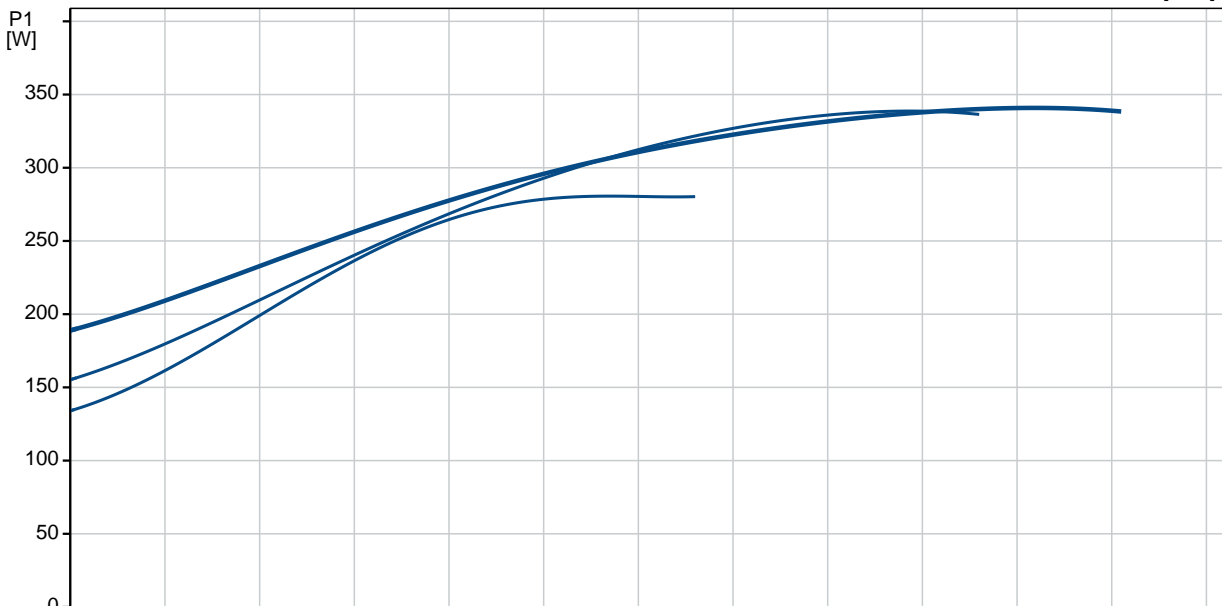
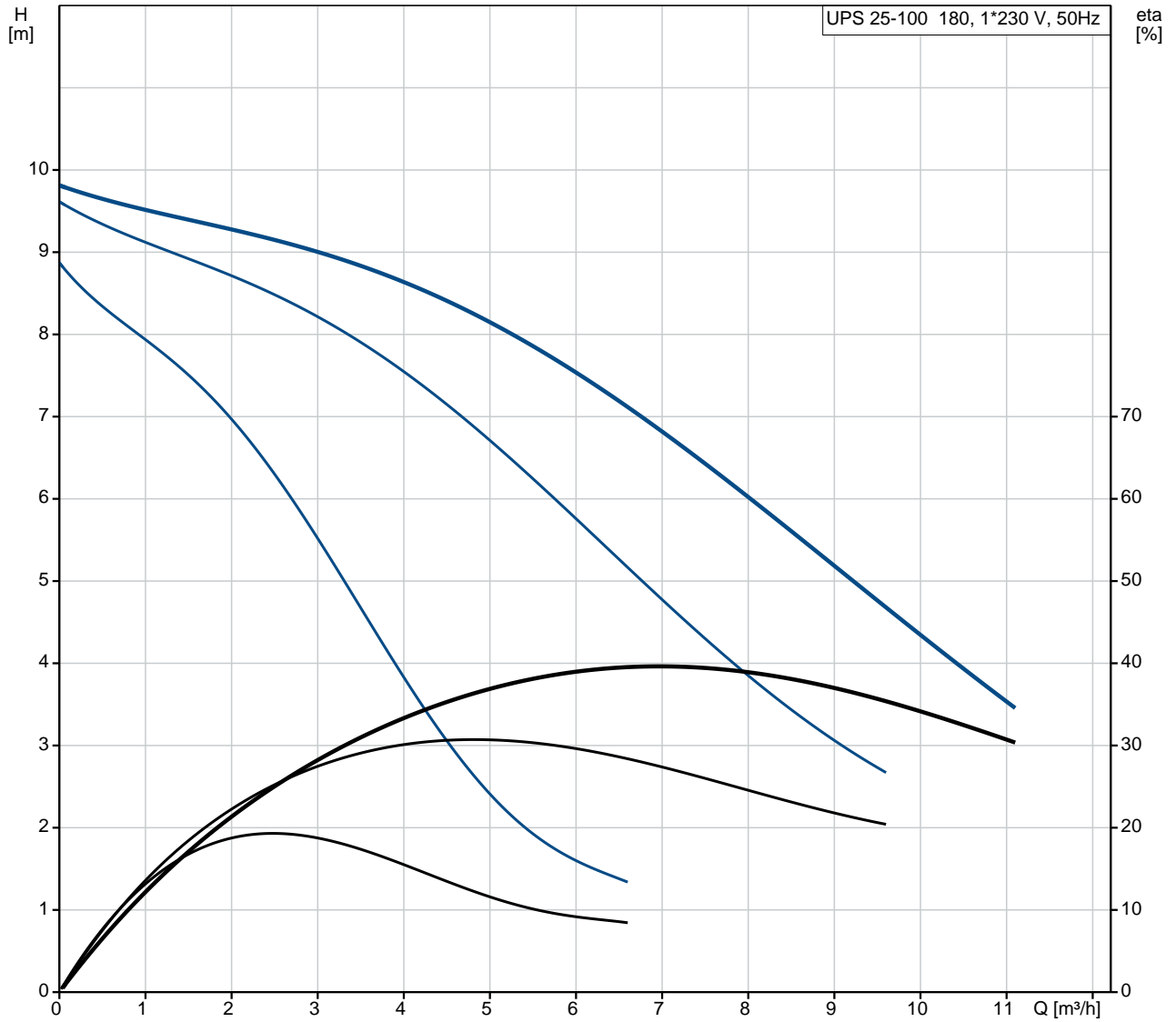
Date:

26/10/2020

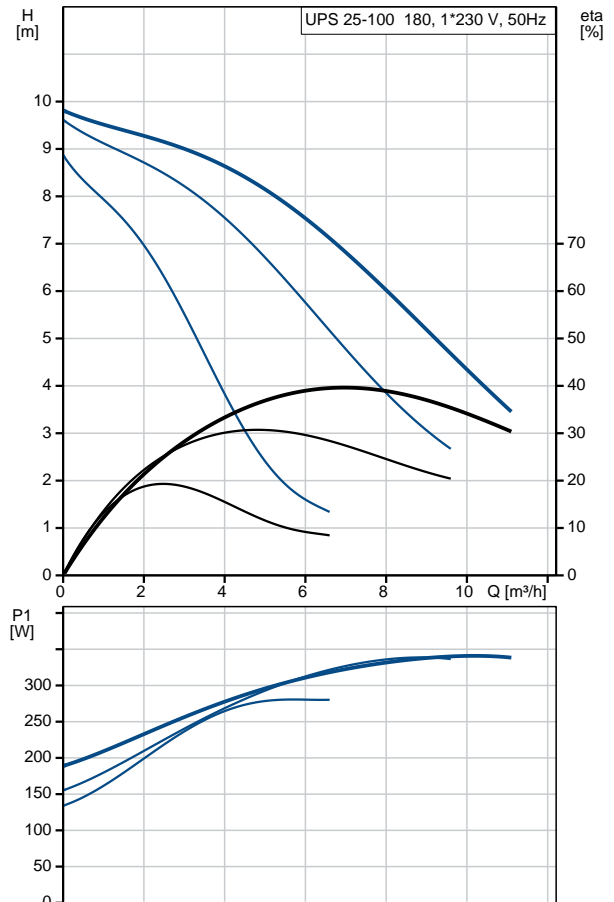
| Qty. | Description |
|------|-------------|
|------|-------------|

|  |                                       |
|--|---------------------------------------|
|  | Current in speed 3: 1.52 A            |
|  | Capacitor size - run: 9.5 $\mu$ F     |
|  | Enclosure class (IEC 34-5): X4D       |
|  | Insulation class (IEC 85): H          |
|  | Others:                               |
|  | Net weight: 6.3 kg                    |
|  | Gross weight: 6.8 kg                  |
|  | Shipping volume: 0.012 m <sup>3</sup> |
|  | Country of origin: DE                 |
|  | Custom tariff no.: 84137090629206077  |

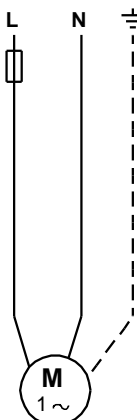
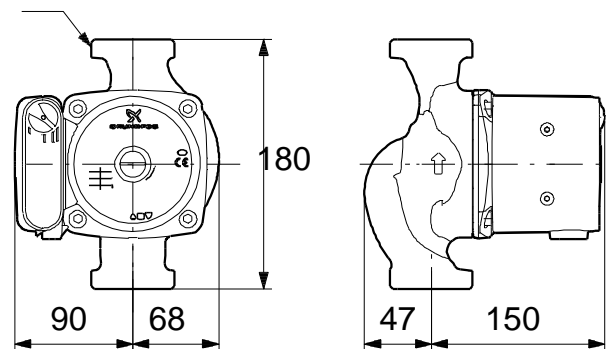
## 95906480 UPS 25-100 180 50 Hz



| Description                  | Value                   |
|------------------------------|-------------------------|
| <b>General information:</b>  |                         |
| Product name:                | UPS 25-100 180          |
| Product No:                  | 95906480                |
| EAN number:                  | 5700311099766           |
| Price:                       |                         |
| <b>Technical:</b>            |                         |
| Speed no:                    | 3                       |
| Head max:                    | 100 dm                  |
| TF class:                    | 110                     |
| Approvals on nameplate:      | CE                      |
| <b>Materials:</b>            |                         |
| Pump housing:                | Cast iron               |
| Pump housing:                | EN-JL1030               |
| Pump housing:                | ASTM 30 B               |
| Impeller:                    | Composite, PES/PP       |
| <b>Installation:</b>         |                         |
| Amb. max at 80 dgr C liquid: | 40 °C                   |
| Maximum operating pressure:  | 10 bar                  |
| Pipe connection:             | G 1 1/2                 |
| Pressure rating:             | PN 10                   |
| Port-to-port length:         | 180 mm                  |
| <b>Liquid:</b>               |                         |
| Pumped liquid:               | Water                   |
| Liquid temperature range:    | -25 .. 110 °C           |
| Selected liquid temperature: | 60 °C                   |
| Density:                     | 983.2 kg/m <sup>3</sup> |
| <b>Electrical data:</b>      |                         |
| Power input in speed 1:      | 280 W                   |
| Power input in speed 2:      | 340 W                   |
| Max. power input:            | 345 W                   |
| Mains frequency:             | 50 Hz                   |
| Rated voltage:               | 1 x 230 V               |
| Current in speed 1:          | 1.3 A                   |
| Current in speed 2:          | 1.5 A                   |
| Current in speed 3:          | 1.52 A                  |
| Capacitor size - run:        | 9.5 µF                  |
| Enclosure class (IEC 34-5):  | X4D                     |
| Insulation class (IEC 85):   | H                       |
| Motor protec:                | CONTACT                 |
| Thermal protec:              | internal                |
| <b>Controls:</b>             |                         |
| Pos term box:                | 9H                      |
| <b>Others:</b>               |                         |
| Net weight:                  | 6.3 kg                  |
| Gross weight:                | 6.8 kg                  |
| Shipping volume:             | 0.012 m <sup>3</sup>    |
| Country of origin:           | DE                      |
| Custom tariff no.:           | 84137090629206077       |



G 1 1/2





Company name:

Created by:

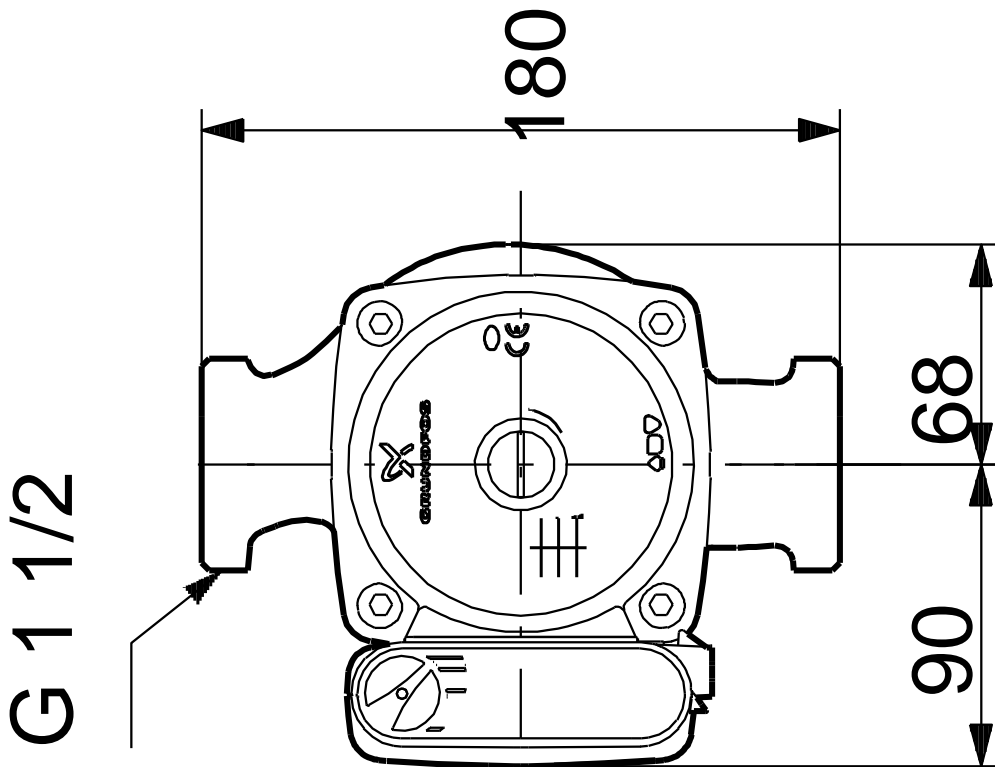
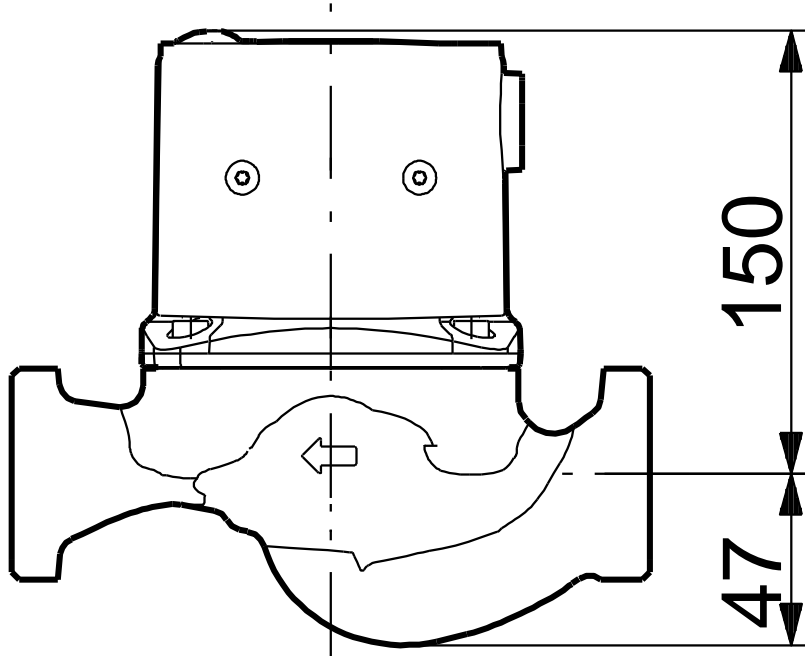
Phone:

Date:

26/10/2020

**95906480 UPS 25-100 180 50 Hz**

**95906480 UPS 25-100 180 50 Hz**



Note! All units are in [mm] unless others are stated.  
Disclaimer: This simplified dimensional drawing does not show all details.