

# UNILIFT AP 35B & 50B



The BasicLine by Grundfos UNILIFT AP Basic pumps are single-stage pumps with a vortex impeller. The pumps are designed for pumping dirty water, untreated wastewater containing particles up to a size of  $\varnothing 50$  mm, depending on the pump size.

All UNILIFT AP Basic pumps are made of stainless steel with a composite baseplate. The UNILIFT AP Basic range is designed for submerged operation, either free-standing or on the base plate. In addition the pumps are suitable for installations on auto couplings, which allows easy access to the pump for maintenance and other purposes. All UNILIFT AP Basic pumps can be supplied with or without float switch, for automatic or manual operation.



## FEATURES

### Robust design

The materials of the pump ensure excellent corrosion resistance. The pump housing and impeller are made of high quality stainless steel. Furthermore, the mechanical shaft seal offers high-wear resistance and a long operating life.

### Thermal overload protection

The single-phase version is effectively protected against any accidental overload by built-in thermal protection. This means that no additional motor protection is required.

### Option for automatic operation

The pumps are available with float switches for automatic on/off operation.

### Auto coupling

UNILIFT AP Basic pumps are suitable for installation on an auto coupling at the bottom of a collecting tank with guide rails going to the top. A guide rail system is available from Grundfos as an accessory.

## OPERATING CONDITIONS

### Liquid temperature

0 °C to 40 °C

### Max. particle size

AP35 - 35 mm and AP50 - 50 mm particle size

### pH concentration

4 to 10

### Max. installation depth

7 m

## TECHNICAL DATA

### Mains voltage

1 x 240 V, 50 Hz  
3 x 415 V, 50 Hz

### Enclosure class

IP68

### Insulation class

F

### Cable type

H07RN-F

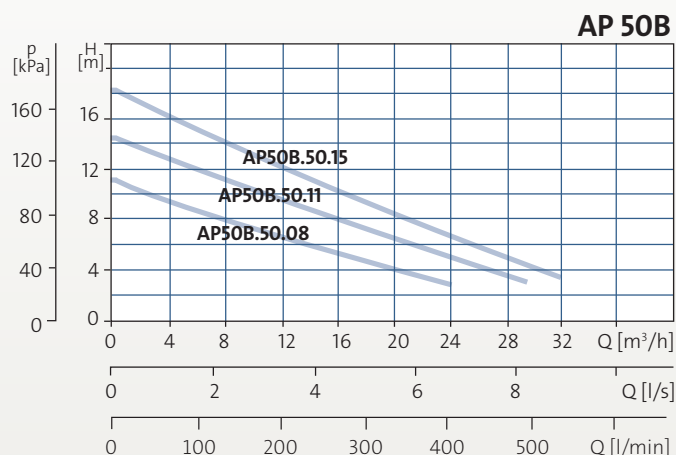
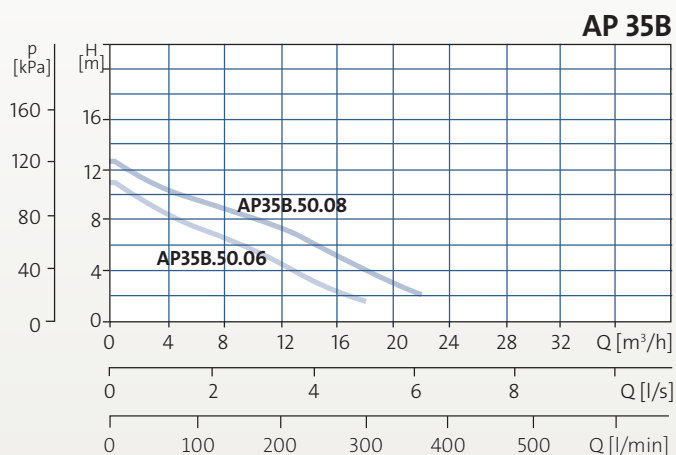
### Approvals and markings

VDE, LGE, UL and CSA

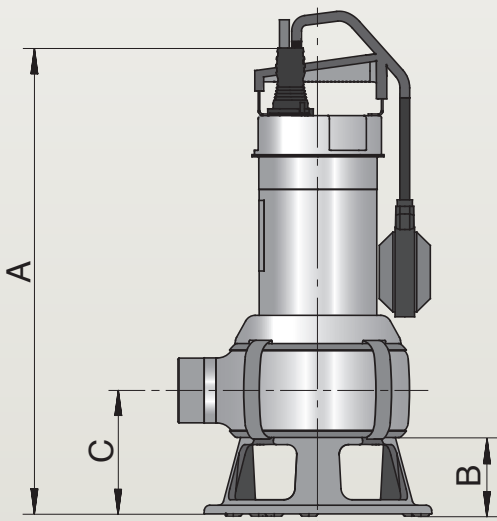


# UNILIFT AP 35B & 50B

## PERFORMANCE



## DIMENSIONS



Model	Cable length (m)	Power (kW)	Connection size	Dimensions (mm)			Weight (kg)
				A	B	C	
UNILIFT AP35B-50.06-A1V	10	0.66	2" F	443	73	116	10.3
UNILIFT AP35B-50.08-A1V	10	0.71	2" F	468	73	116	11.8
UNILIFT AP50B.50.08.A1V	10	0.74	2" F	468	73	116	10.1
UNILIFT AP50B.50.11.A1V	10	1.1	2" F	468	73	116	10.2
UNILIFT AP50B.50.11.3V	10	1.3	2" F	468	73	116	9.7
UNILIFT AP50B.50.15.3V	10	1.5	2" F	468	73	116	10