

SB



The BasicLine by Grundfos SB pump is a submersible booster pump designed for the pumping of clean water for domestic and rainwater applications. The SB submersible pump is silent when submerged and therefore a noiseless alternative to surface mounted pumps. The SB pump is built of high quality composite and stainless steel materials that are resistant to corrosion. The SB is ideal for operation in a well or ground tanks, as it easily prevents solid particles from entering the pump. Furthermore, the pump features a flow switch which ensures the user a convenient experience with automatic start/stop operation and dry running protection of the pump.



FEATURES

Noiseless operation

The SB pump emits no noise when submerged and is therefore a noiseless alternative to non-submersible pumps.

Robust design

The SB pump is built of composite and stainless steel materials which are resistant to corrosion.

Thermal overload protection

The single-phase model is effectively protected against any accidental overload, by built in thermal protection.

Dry running protection

The SB pump is protected from dry running, by means of the function of the flow switch.

Automatic operation

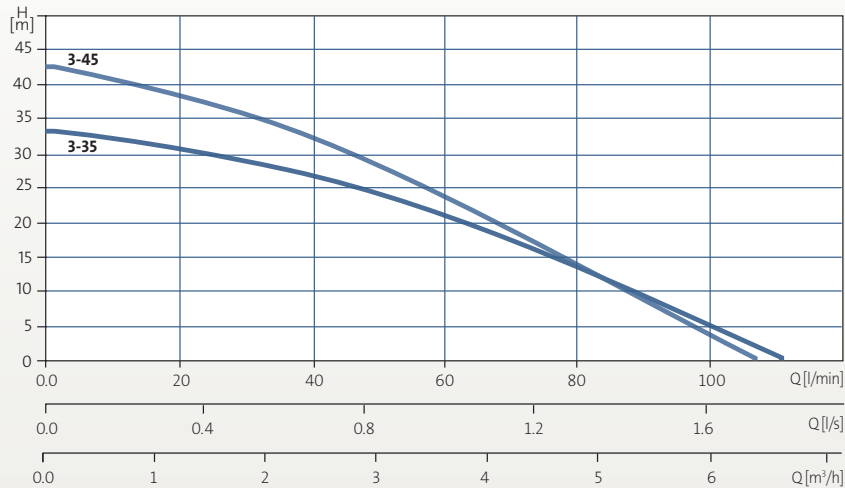
The flow switch for the SB pump ensures automatic operation by means of the water level in tank.

APPLICATIONS

- Boosting from wells (less than 8 meters) and domestic rainwater



PERFORMANCE



OPERATING CONDITIONS

Maximum particle size

1 mm

Ambient temperature

Max 50 °C

Liquid temperature

0 to 40 °C

pH-value range

4-9

TECHNICAL DATA

Mains voltage

1 x 240 V, 50 Hz

Insulation class

B

Enclosure class

IP68

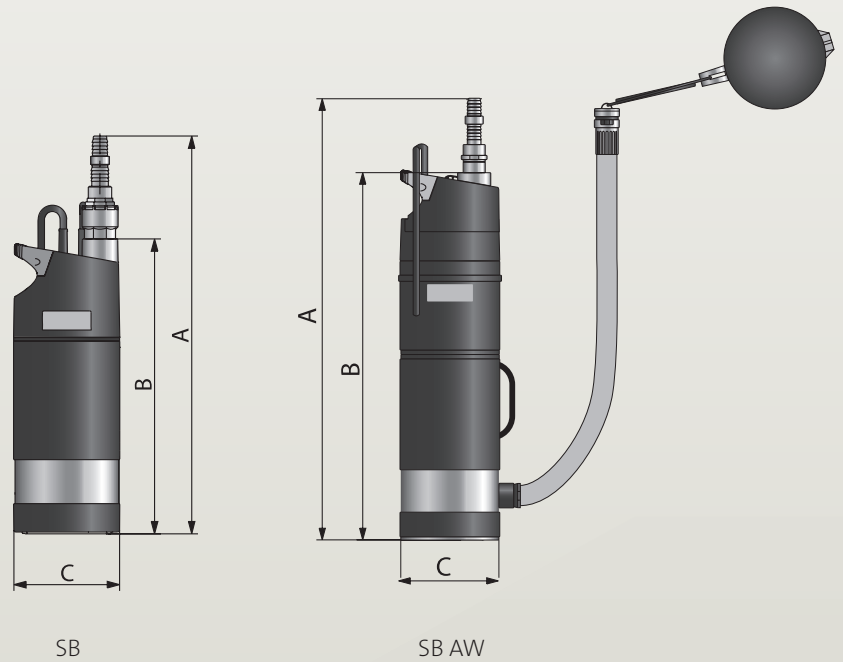
Max installation depth

10 m

Approvals and markings

EAC, CSA, C-tick

DIMENSIONS



Model	Cable (m)	Power (kW)	Connection size	Dimensions (mm)			Weight (kg)
				A	B	C	
SB 3-35	15	0.8	1" F	536	390	150	9.4
SB 3-45	15	1.05	1" F	584	415	150	9.7
SB 3-35 AW	15	0.8	1" F	621	528	150	10.3
SB 3-45 AW	15	1.05	1" F	646	553	150	10.6