

# SCALA2



GRUNDFOS SCALA2 is a robust, composite, variable speed pump that adjusts performance according to water demand, providing constant pressure to all taps. The fully integrated pump includes a motor, tank, sensor, drive and non-return valve in one compact unit that is quick and easy to install. The SCALA2 is self-priming, allowing for use from both above and below ground water sources and the water-cooled motor ensures quiet operation.



## FEATURES

### Variable Speed

The pump adjusts performance according to water demand, providing constant pressure to all taps regardless of variations in demand or inlet pressure.

### Self-Priming

Ideal for pressurising water from above or below ground water sources with a suction lift of up to 8 metres and self-priming up to 4 metres.

### Energy Efficient

The pump features a permanent magnet motor to help reduce power consumption while the frequency controller matches the power consumption with the required water output, also helping to conserve energy and reduce energy bills.

### Simple Selection

One model to suit most domestic applications makes selection easy.

### User Friendly

The easy to use control panel features LED indicators displaying power status, pressure setting and alarm indicators lights.

### Protective Functions

To protect the pump and help ensure a long life, a range of protective features are incorporated into the pump such as; dry-run protection, anti-cycling alarm, auto-reset and maximum continuous operation time (30 mins).

### Easy Installation

Quick and easy installation in just three steps; connect the pipes, prime the pump and plug into the power outlet.

### Integrated Non-Return Valve

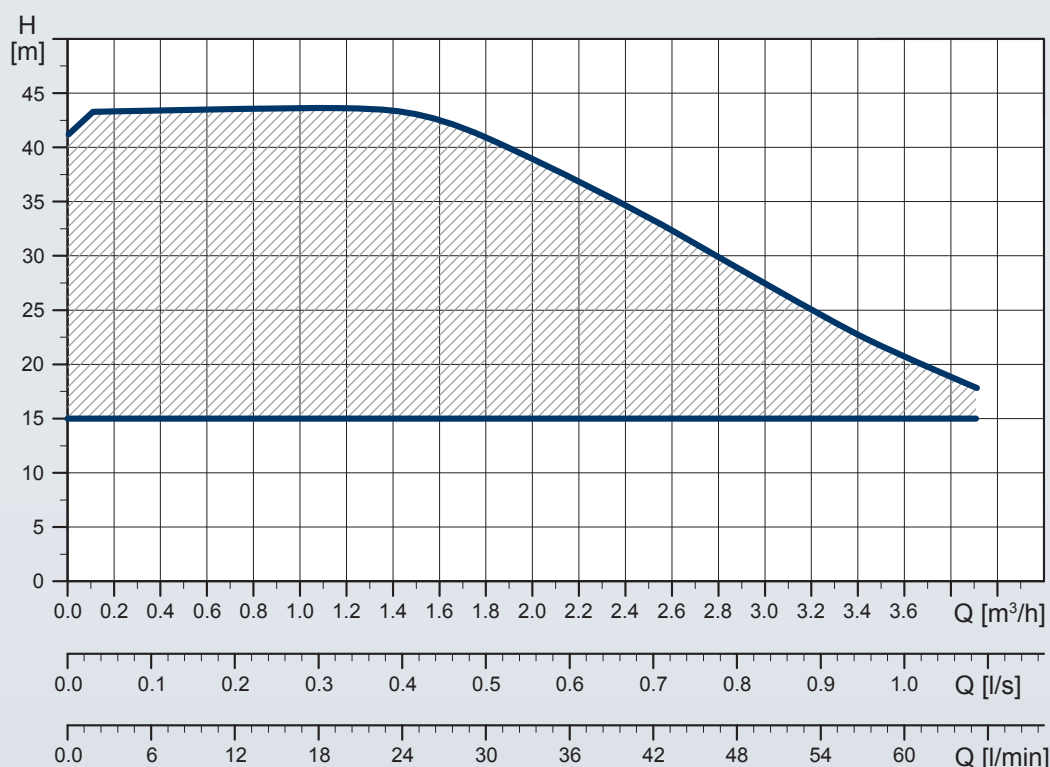
No additional non-return valve required - plug and pump solution.

## APPLICATIONS

- Mains boosting
- Household water supply
- Pressure boosting from above ground water tanks
- Pressure boosting from below ground water sources eg. Below ground tank/dam



## PERFORMANCE



## OPERATING CONDITIONS

### System pressure

Max. 10 bar

### Liquid temperature

0°C to +45°C

### Ambient temperature

Max. 55°C

## DIMENSIONS

## TECHNICAL DATA

### Mains voltage

1 x 240 V, 50 Hz

### Enclosure class

F

### Insulation class

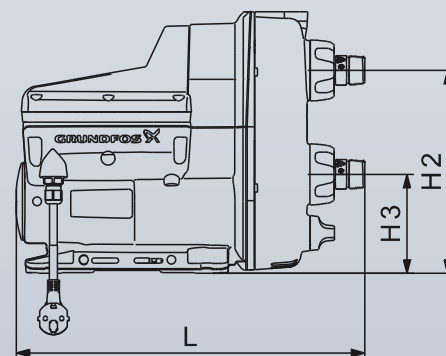
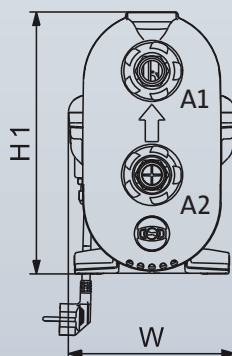
X4D (suitable for outdoor installation)

### Sound pressure level

<47 dBa

### Approvals and markings

ASNZ4020, CE



| Model  | Power Input (kW) | Dimensions (mm) |     |     |     |     |      |      | Weight (kg) |
|--------|------------------|-----------------|-----|-----|-----|-----|------|------|-------------|
|        |                  | H1              | H2  | H3  | L   | W   | A1   | A2   |             |
| SCALA2 | 0.55             | 302             | 234 | 114 | 403 | 193 | 1" F | 1" F | 10          |