

# JP and JP Booster



<b>1. Product introduction</b> .....	<b>3</b>
Applications .....	3
Pumped liquids .....	3
Features and benefits .....	3
Performance range .....	4
Product range .....	4
<b>2. Installation and operation</b> .....	<b>5</b>
Mechanical installation .....	5
Installation examples .....	6
Electrical connection .....	6
<b>3. Selection guide</b> .....	<b>7</b>
<b>4. JP pump</b> .....	<b>8</b>
Product range .....	8
Motor .....	8
Features and benefits of the JP pump .....	8
Performance curves .....	8
Technical data .....	9
Approvals and markings .....	10
<b>5. JP PM Booster</b> .....	<b>11</b>
Product range .....	11
Pressure manager .....	11
Motor .....	11
Features and benefits .....	11
Technical data .....	11
Approvals and markings .....	12
<b>6. JP PT-V Booster</b> .....	<b>13</b>
Product range .....	13
Motor .....	13
Features and benefits .....	13
Technical data .....	13
Approvals and markings .....	14
<b>7. JP PT-H Booster</b> .....	<b>15</b>
Product range .....	15
Motor .....	15
Features and benefits .....	15
Technical data .....	15
Approvals and markings .....	16
<b>8. Product numbers</b> .....	<b>17</b>
JP .....	17
JP PM .....	18
JP PT-V .....	19
JP PT-H .....	20
<b>9. Grundfos Product Center</b> .....	<b>21</b>

# 1. Product introduction

Grundfos jet pumps and boosters are designed for domestic use and ensure a constant supply of clean water to households and gardens as well as light commercial applications.

## JP

JP is a self-priming, single-stage centrifugal jet pump. The jet pump has excellent suction capacity and is designed for long and trouble-free operation. The built-in ejector with guide vanes ensures optimum self-priming properties. JP is small and compact, and the lifting handle makes JP handy and easy to carry. The pump housing is made of stainless steel.

## JP Boosters

JP Boosters are compact systems for pressure boosting with pressure control. The pressure control gives more comfort to the user, as it allows the pump to start and stop automatically according to demand.

JP Boosters are available in the following variants:

- JP PM: a jet pump with a pressure manager (Grundfos PM 1)
- JP PT-V: a jet pump with a vertical pressure tank and a pressure switch
- JP PT-H: a jet pump with a horizontal pressure tank and a pressure switch.

## AISI 316 variant

A special variant of the JP pump is available with components made with a higher stainless-steel grade. This pump is especially suitable for pool-cleaning applications.



Fig. Left to right: JP PT-V, JP PT-H, JP PM and JP

## Applications

The pumps and boosters are suitable for domestic water supply, where pressure boosting and self-priming is needed.

The product can be used in a wide variety of applications, such as these:

- single- and two-family houses, boosting the pressure of water coming from a break tank, roof tank or a well
- garden irrigation

- car wash
- small-scale agriculture and horticulture
- light commercial applications
- pool cleaning (AISI 316 variant only).

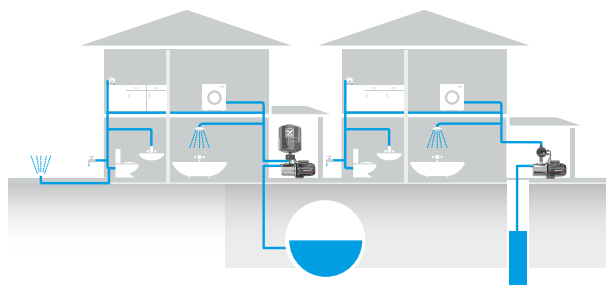


Fig. Examples of applications with JP Boosters

## Pumped liquids

The product is suitable for pumping clean, thin, non-aggressive, non-toxic and non-explosive liquids without solid particles or fibres. Examples of liquids:

- potable water
- rainwater.

## Features and benefits

Features	JP	JP PT	JP PM
Self-priming	√	√	√
Auto start/stop	-	√	√
Pressure indication (pressure gauge)	-	√	-
Alarm indication	-	-	√
Integrated non-return valve	-	-	√
Dry-running protection	-	-	√

### Features and benefits of the JP pump

- Self-priming, featuring a suction lift of up to 8 m
- robust design and corrosion-free materials for a long lifetime

### Features and benefits of the pressure tank

- Automatic start/stop according to consumption
- controlled pressure for the comfort of constant water supply without pressure drops
- pressure gauge
- fewer starts and stops in case of low water consumption or leakage loss
- reduced water hammer in the pipes.

### Features and benefits of the pressure manager

- Automatic start/stop according to consumption
- dry-running protection to avoid damage of the pump
- anti-cycling for leakage detection to prevent overheating and save energy

- integrated non-return valve
- status indication: power on, pump running, alarm
- rotary outlet connection for easy adaption to local pipe system.

### Performance range

The performance curves show the range of the JP pumps.

For JP PM Boosters, there is a slight pressure drop over the pressure manager.

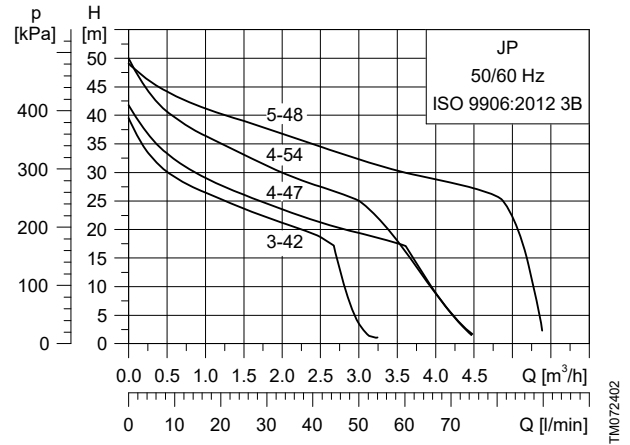


Fig. Performance range, JP

#### Related information

[Performance curves](#)

### Product range

Pump type	Max. flow rate [m³/h]	Max. head [m]
JP 3-42	3	42
JP 4-47	4	47
JP 4-54	4	54
JP 5-48	5	48

## 2. Installation and operation

### Mechanical installation

Placing the pump above ground is generally a convenient way to establish a water or rainwater supply. The pump can be installed both indoors and outdoors in a well-ventilated location. When installed outdoors, the product needs a suitable cover to protect it from exposure to direct sunlight, rain, snow and frost.

Place the product as close to the liquid to be pumped as possible to minimise the length of the inlet pipe. To ensure cooling of the motor and easy access, we recommend a clearance of 0.5 m on three sides of the product. Fasten the product to a solid horizontal foundation with a maximum inclination angle of  $\pm 5^\circ$ . The base plate must be facing downwards.

If the pump is used for pumping rainwater or well water, we recommend that you install a filter on the inlet side to protect the pump from sand, gravel or other debris. If the pump is installed above the liquid level, we recommend that you fit a foot valve with strainer to the inlet pipe.

### Pipe system

To obtain the optimum suction capacity that the dry-installed pump is designed for, the correct dimension of the pipe system is important. If a hose is used as inlet pipe, it must be non-collapsible.

The diameter of the inlet pipe must be larger than 1", if the inlet pipe is longer than 10 m, or if the suction lift exceeds 4 m.

### Inlet-pipe length and suction lift

The length of the inlet pipe of self-priming pumps depends on the geodetic suction lift. The recommended maximum length of the inlet pipe according to the suction lift is shown in the figure below. The example shows that if the suction lift is 2.5 m, the length of the inlet pipe must not exceed 25 m.

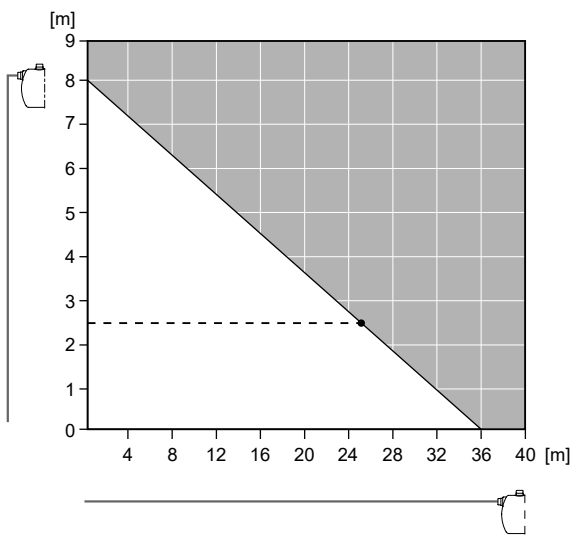


Fig. Maximum inlet-pipe length (horizontal axis) according to the suction lift (vertical axis)

### Inlet and outlet pipes

Please follow these general precautions when connecting the inlet and outlet pipes.

- Install the pipes so that air pockets are avoided, especially on the inlet side of the pump.
- Use eccentric reducers with the tapered side down.
- Make sure the pipes are as straight as possible to avoid unnecessary bends and fittings. We recommend long-radius 90° pipe bends to decrease friction loss.
- Run the inlet pipe as direct as possible and, ideally, make sure the length is at least ten times the pipe diameter.
- If possible, run a horizontal inlet line. We recommend a gradual upward slope to pumps operating in suction-lift conditions, and a gradual downward slope to pumps operating in positive inlet-pressure conditions.

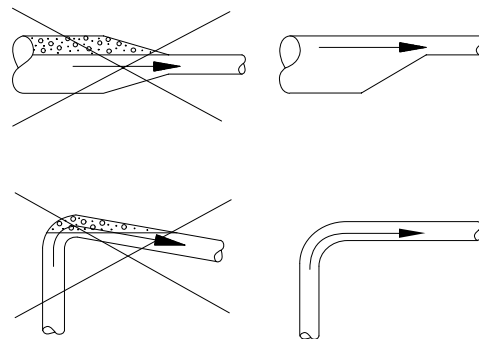


Fig. Recommended pipe installation to avoid friction and air pockets

- A short pipe must be the same diameter as the inlet port or larger.
- A long pipe must be one or two sizes larger than the inlet port, depending on the length.

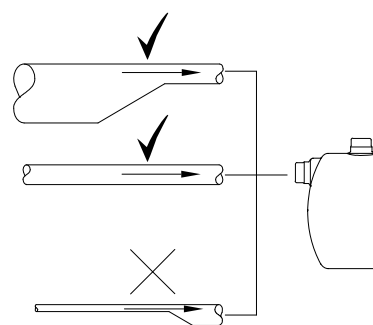


Fig. Correct pipe sizing for connection to the pump inlet or outlet

### Maximum system pressure

The maximum inlet pressure depends on the head at the actual duty point. The sum of the inlet pressure and the head must not exceed the maximum system pressure.

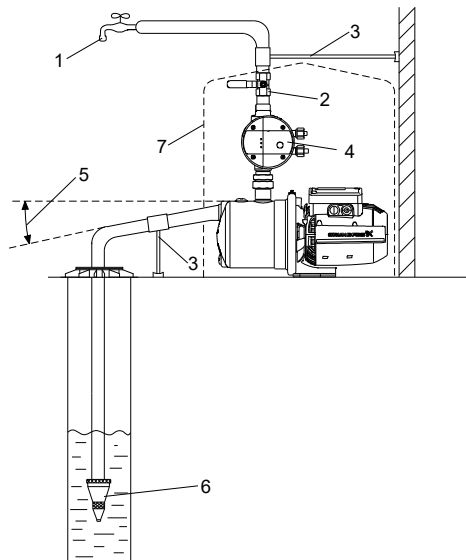
We recommend that you install a pressure-relief valve to protect the pump so that the outlet pressure does not exceed the maximum system pressure.

## Installation examples

We recommend that you follow the installation examples. Valves are not supplied with the pump.

### Suction from a well

This installation example shows the JP PM, but it applies to all variants of the JP range.

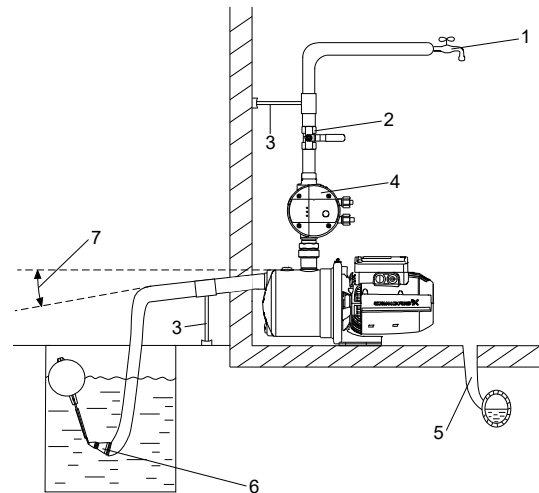


TM072434

Pos.	Description
1	Highest tapping point.
2	Isolating valve.
3	Pipe support.
4	Pressure manager.
5	5 ° angle.
6	Foot valve with strainer. The foot valve is optional. We recommend using a foot valve together with JP PM.
7	Pump cover.

### Suction from a tank

This installation example shows JP PM, but it applies to all variants of the JP range.



TM072435

Pos.	Description
1	Highest tapping point.
2	Isolating valve.
3	Pipe support.
4	Pressure manager.
5	Drain to sewer.
6	Strainer. A foot valve is optional. We recommend using a foot valve together with JP PM.
7	5 ° angle.

## Electrical connection

The electrical connection and protection must be carried out in accordance with local regulations. Please also observe the following requirements:

- Make sure that the pump and pressure-control unit are suitable for the power supply to which they are to be connected.
- The pump and pressure-control unit must always be correctly earthed.
- The plug on the pump must have the same protective earth (PE) connection system as the power outlet. If not, use a suitable adapter if allowed by local regulations.
- A pump without plug must be connected to an external main switch or wired with a plug.

### Motor protection

The pump incorporates current- and temperature-dependent motor protection. If the pump is running without water, is blocked or otherwise overloaded, the built-in thermal switch will cut out. When the motor has cooled sufficiently, it will restart automatically.

No external motor protection is required.

### 3. Selection guide

This guide helps you size and select the right JP product. Follow the instructions below to determine which product variant is best suited to your needs.

#### Selection table

	1-5 taps or 1-2 m <sup>3</sup> /h	6-10 taps or 3-4 m <sup>3</sup> /h	11-20 taps or 4-5 m <sup>3</sup> /h
<b>Water supply on demand</b>	JP 3-XX	JP 4-XX	JP 5-XX
<b>Constant water supply with pressure-drop compensation</b>	JP 3-XX PT-V/H	JP 4-XX PT-V/H	JP 5-XX PT-V/H
<b>Constant water supply, dry-running protection and anti-cycling function</b>	JP 3-XX PM	JP 4-XX PM	JP 5-XX PM

#### How to use the table

1. Size the product  
Determine the size of your product by selecting the rated flow in either the number of taps in the system or the amount of m<sup>3</sup> per hour.
2. Select variant

#### **Water supply on demand:**

Choose the JP pump for applications such as garden irrigation, small-scale agriculture and car washes. The product is turned on and off by the user, making it ideal for time-limited tasks.

#### **Constant water supply with pressure-drop compensation:**

Choose JP PT (pump with vertical or horizontal pressure tank) for applications such as single- and two-family houses as well as agriculture. The built-in pressure switch, which makes the product automatically start and stop, ensures the comfort of constant pressure.

#### **Constant water supply and dry-running protection:**

Choose JP PM (pump with pressure manager) for applications with unstable water supply and in well installations, where dry-running protection is needed. The pressure manager makes the product automatically start and stop, while the anti-cycling function stops the pump in case of leakage in the pipes, ensuring a trouble-free operation. JP PM is suitable for single- and two-family houses as well as agriculture applications.

## 4. JP pump



Grundfos JP is a self-priming, single-stage centrifugal jet pump with axial inlet and radial outlet. The built-in ejector with guide vanes ensures optimum self-priming properties, featuring a suction lift of up to 8 m.

JP is small and compact and the lifting handle makes JP handy and easy to carry. The pump housing is made of stainless steel.

To increase comfort, the JP pump can be fitted with a Grundfos Pressure Manager or with a pressure switch combined with a Grundfos pressure tank.

### Product range

Pump type	Max. flow rate [m <sup>3</sup> /h]	Max. head [m]
JP 3-42	3	42
JP 4-47	4	47
JP 4-54	4	54
JP 5-48	5	48

### Motor

The motor is air cooled and equipped with oversized, sealed, greased-for-life ball bearings to ensure silent operation and minimum service.

Single-phase motors have a built-in thermal switch and require no additional motor protection.

### Features and benefits of the JP pump

- Self-priming, featuring a suction lift of up to 8 m
- robust design and corrosion-free materials for a long lifetime

### Self-priming

A self-priming pump ensures a stable operation, even if the pump is not fully filled with liquid. The self-priming pump is able to lift liquid from below the inlet level and handle a mix of air and liquid until the pump reaches a fully-primed pumping condition.

### Robust design

The pump is designed for long and trouble-free operation. Excellent corrosion resistance is ensured by the stainless steel pump housing and composite impeller, and the paint on the motor stool is applied by electrophoresis.

## Performance curves

The curves show the pump performance of JP pump variants at different suction lift heights.

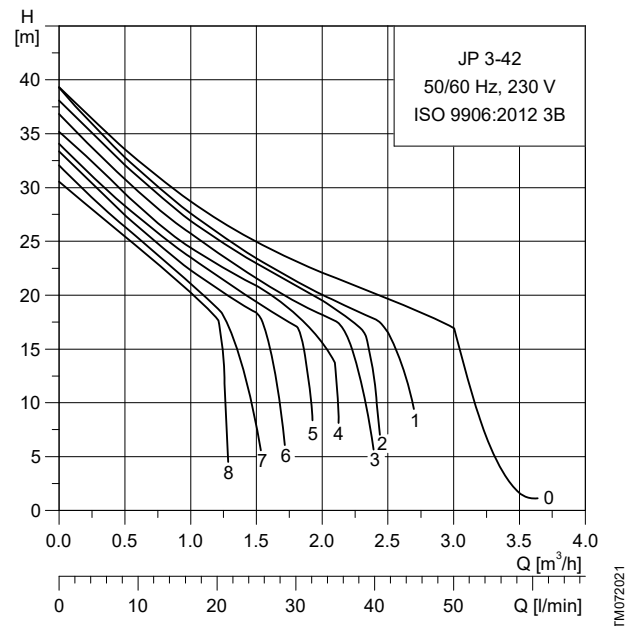


Fig. JP 3-42 performance curves for suction lifts of 0 to 8 m

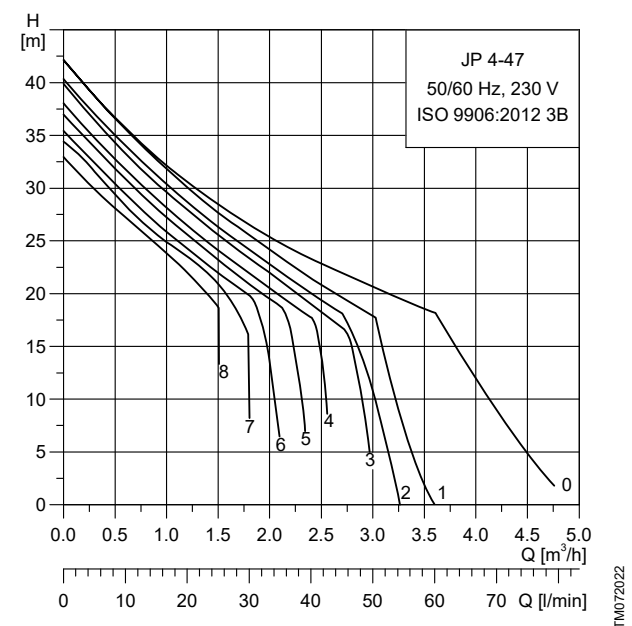


Fig. JP 4-47 performance curves for suction lifts of 0 to 8 m



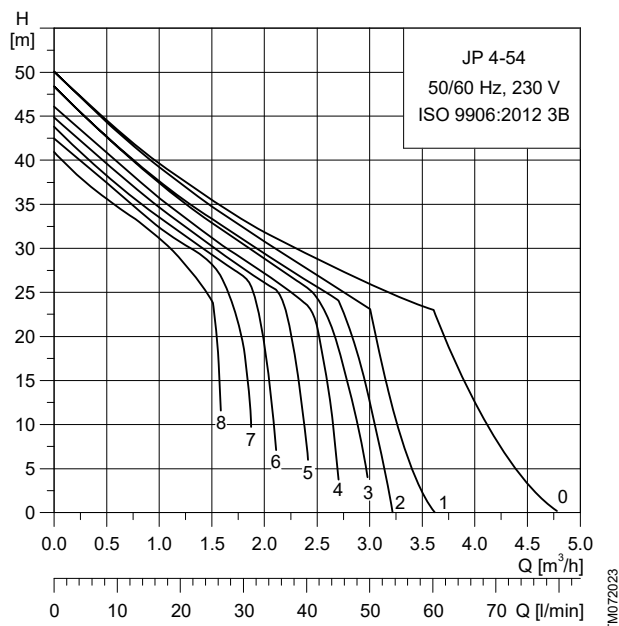


Fig. JP 4-54 performance curves for suction lifts of 0 to 8 m

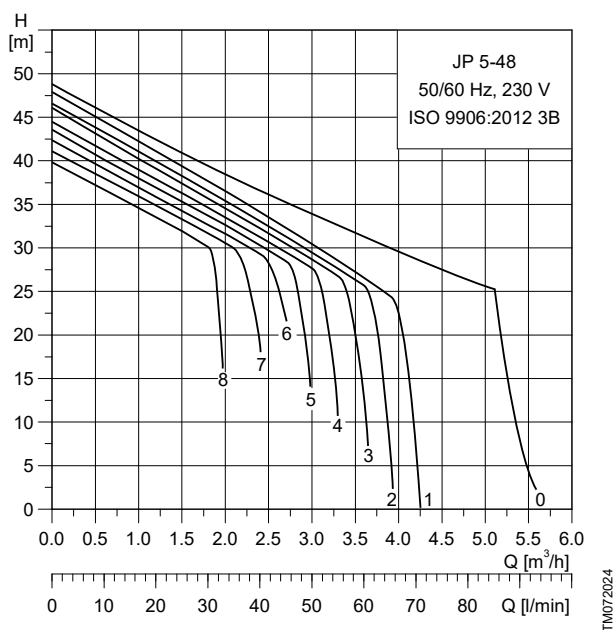


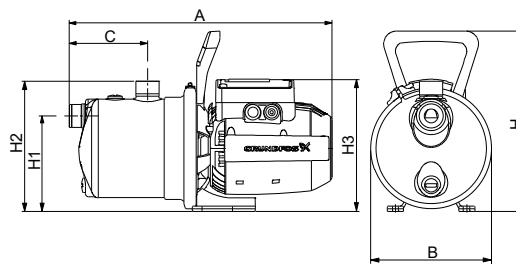
Fig. JP 5-48 performance curves for suction lifts of 0 to 8 m

Related information

Performance range

Technical data

Dimensions of JP



TM072340

Pos.	JP 3-42 [mm]	JP 4-47 [mm]	JP 4-54 [mm]	JP 5-48 [mm]
A	405	405	424	424
B	186	186	186	186
C	121	121	121	121
H	278	278	278	278
H1	147	147	147	147
H2	200	200	201	201
H3	203	203	213	213

Weight

JP 3-42 [kg]	JP 4-47 [kg]	JP 4-54 [kg]	JP 5-48 [kg]
8.6	9.1	10.9	12.6

Operating conditions

System pressure	Max. 6 bar / 0.60 MPa
Suction lift	Max. 8 m, including inlet-pipe pressure loss at a liquid temperature of 20 °C
Liquid temperature	Max. 40 °C (S1) / 60 °C (S3*)
Ambient temperature	Max. 40 °C (S1) / 55 °C (S3*)
Relative humidity	Max. 98 %
Enclosure class	IP44
Insulation class	F
Supply voltage	1 x 220-240 V, 50/60 Hz 1 x 115 V, 60 Hz
Start/stop frequency	Max. 20 per hour
Sound pressure level	Max. sound pressure level of the pump: JP 3-42: 68 [dB(A)] JP 4-47: 70 [dB(A)] JP 4-54: 74 [dB(A)] JP 5-48: 81 [dB(A)]

\*S3 means that the pump will run in intermittent operation to cool down the motor.

## Electrical data

## 50 Hz

Pump type	Voltage [V]	P1 [W (hp)]	P2 [W (hp)]	n [rpm]	I <sub>n</sub> [A]	I <sub>start</sub> [A]
JP 3-42	1 x 230	720 (0.97)	447 (0.6)	2800	3.1	9.2
JP 4-47	1 x 230	850 (1.14)	560 (0.75)	2800	3.8	11.3
JP 4-54	1 x 230	1130 (1.51)	746 (1.0)	2800	5.1	17.8
JP 5-48	1 x 230	1490 (2.0)	1014 (1.36)	2800	6.6	27.9

## 60 Hz

Pump type	Voltage [V]	P1 [W (hp)]	P2 [W (hp)]	n [rpm]	I <sub>n</sub> [A]	I <sub>start</sub> [A]
JP 3-42	1 x 230	700 (0.93)	447 (0.6)	3400	3.1	11.26
	1 x 115	730 (0.98)	447 (0.6)	3400	6.6	22.35
JP 4-47	1 x 230	880 (1.18)	597 (0.8)	3400	3.8	12.50
	1 x 115	900 (1.21)	596 (0.8)	3400	8.0	26.30
JP 4-54	1 x 230	1100 (1.47)	746 (1.0)	3400	5.1	23.70
	1 x 115	1100 (1.47)	746 (1.0)	3400	9.7	47.54
JP 5-48	1 x 230	1450 (1.94)	1014 (1.36)	3400	6.6	38.22
	1 x 115	1470 (1.97)	1014 (1.36)	3400	13.4	58.30

## Construction of JP pump

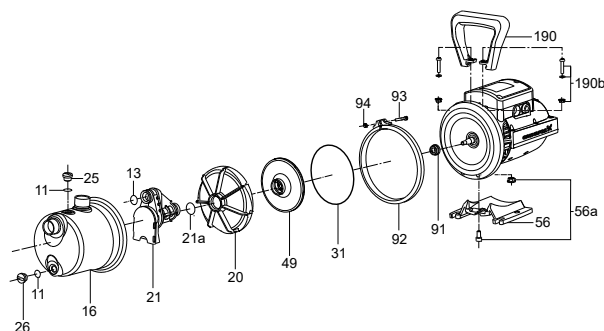


Fig. Exploded view of the JP pump

## Material specification

Pos.	Component	Material
13	O-ring	NBR*
16	Pump house	Stainless steel EN 1.4301, AISI 304
20	Diffuser	Composite
21	Venturi tube	Composite
21a	O-ring	NBR*
25	Plug (filler)	Composite
26	Plug (drain)	Composite
31	O-ring	NBR*
49	Impeller	Composite
56	Base plate	Aluminium
68	Handle	Composite
91	Shaft seal	Carbon with resin/ceramic + NBR + AISI 304 Type BBVP
91	Shaft seal (AISI 316 variant)	Carbon with resin/ceramic + EPDM + AISI 316 Type BBVE
92	Pump house ring	Stainless steel EN 1.4301, AISI 304
190	Handle	Composite

\* AISI 316 variant uses EPDM O-rings.

## Approvals and markings

Approvals		Markings	
ACS	CE	C-Tick	EAC
√	√	√	√

TM072372

## 5. JP PM Booster



TM072465

Grundfos JP PM Booster provides the comfort of constant water pressure with automatic start and stop controlled according to consumption by the intelligent pressure manager. JP PM includes dry-running protection.

JP PM consists of a Grundfos JP pump and a Grundfos Pressure Manager PM 1. The pressure manager is set to start at 1.5 bar.

To reduce the number of starts and stops, an external Grundfos pressure tank can be installed.

### Product range

Pump type	Max. flow rate [m <sup>3</sup> /h]	Max. head [m]
JP 3-42	3	42
JP 4-47	4	47
JP 4-54	4	54
JP 5-48	5	48

### Pressure manager

The Grundfos Pressure Manager is designed to start and stop the pump automatically according to the consumption. It starts the pump when the start pressure is reached, and the pump keeps running as long as there is flow.



Fig. Pressure Manager PM 1

### Motor

The motor is air cooled and equipped with oversized, sealed, greased-for-life ball bearings to ensure silent operation and minimum service.

Single-phase motors have a built-in thermal switch and require no additional motor protection.

### Features and benefits

#### Features and benefits of the JP pump

- Self-priming, featuring a suction lift of up to 8 m
- robust design and corrosion-free materials for a long lifetime

#### Features and benefits of the pressure manager

- Automatic start/stop according to consumption
- dry-running protection to avoid damage of the pump
- anti-cycling for leakage detection to prevent overheating and save energy
- integrated non-return valve
- status indication: power on, pump running, alarm
- rotary outlet connection for easy adaption to local pipe system.

#### Self-priming

A self-priming pump ensures a stable operation, even if the pump is not fully filled with liquid. The self-priming pump is able to lift liquid from below the inlet level and handle a mix of air and liquid until the pump reaches a fully-primed pumping condition.

#### Dry-running protection

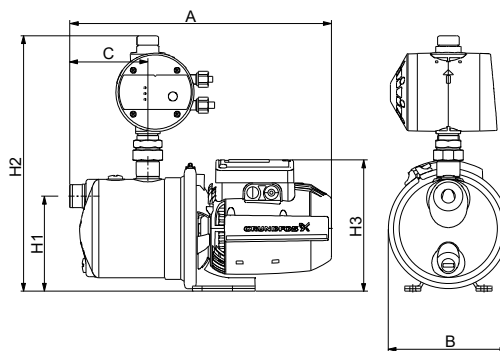
The product incorporates dry-running protection that automatically stops the pump in case of dry running. Dry-running protection means less risk of pump damage and lower maintenance costs.

#### Anti-cycling function

The anti-cycling function prevents the product from starting and stopping too often in case of a minor leakage in the system or if a tap has not been closed completely. The anti-cycling function will stop the pump and an alarm will be indicated.

### Technical data

#### Dimensions of JP PM



TM072386

TM072378

Pos.	JP 3-42 PM [mm]	JP 4-47 PM [mm]	JP 4-54 PM [mm]	JP 5-48 PM [mm]
A	405	405	424	424
B	186	186	186	186
C	121	121	121	121
H1	147	147	147	147
H2	389	389	390	390
H3	203	203	213	213

### Weight

JP 3-42 PM [kg]	JP 4-47 PM [kg]	JP 4-54 PM [kg]	JP 5-48 PM [kg]
11.1	11.6	11.6	15.1

### Operating conditions

System pressure	Max. 6 bar / 0.60 MPa
Suction lift	Max. 8 m, including inlet-pipe pressure loss at a liquid temperature of 20 °C
Liquid temperature	Max. 40 °C (S1) / 60 °C (S3*)
Ambient temperature	Max. 40 °C (S1) / 55 °C (S3*)
Relative humidity	Max. 98 %
Enclosure class	IP44
Insulation class	F
Supply voltage	1 x 220-240 V, 50/60 Hz 1 x 115 V, 60 Hz
Start/stop frequency	Max. 20 per hour
Sound pressure level	Max. sound pressure level of the pump: JP 3-42: 68 [dB(A)] JP 4-47: 70 [dB(A)] JP 4-54: 74 [dB(A)] JP 5-48: 81 [dB(A)]

\* S3 means that the pump will run in intermittent operation to cool down the motor.

### Electrical data JP PM

#### 50 Hz

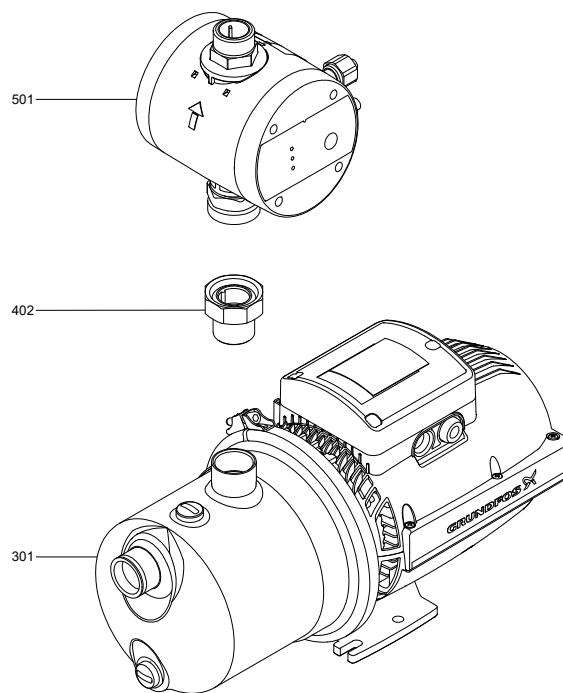
Pump type	Voltage [V]	P1 [W (hp)]	P2 [W (hp)]	n [rpm]	I <sub>n</sub> [A]	I <sub>start</sub> [A]
JP 3-42 PM	1 x 230	720 (0.97)	447 (0.6)	2800	3.1	9.2
JP 4-47 PM	1 x 230	850 (1.14)	560 (0.75)	2800	3.8	11.3
JP 4-54 PM	1 x 230	1130 (1.51)	746 (1.0)	2800	5.1	17.8
JP 5-48 PM	1 x 230	1490 (2.0)	1014 (1.36)	2800	6.6	27.9

#### 60 Hz

Pump type	Voltage [V]	P1 [W (hp)]	P2 [W (hp)]	n [rpm]	I <sub>n</sub> [A]	I <sub>start</sub> [A]
JP 3-42 PM	1 x 230	700 (0.93)	447 (0.6)	3400	3.1	11.26
	1 x 115	730 (0.98)	447 (0.6)	3400	6.6	22.35
JP 4-47 PM	1 x 230	880 (1.18)	597 (0.8)	3400	3.8	12.50
	1 x 115	900 (1.21)	596 (0.8)	3400	8.0	26.30

Pump type	Voltage [V]	P1 [W (hp)]	P2 [W (hp)]	n [rpm]	I <sub>n</sub> [A]	I <sub>start</sub> [A]
JP 4-54 PM	1 x 230	1100 (1.47)	746 (1.0)	3400	5.1	23.70
	1 x 115	1100 (1.47)	746 (1.0)	3400	9.7	47.54
JP 5-48 PM	1 x 230	1450 (1.94)	1014 (1.36)	3400	6.6	38.22
	1 x 115	1470 (1.97)	1014 (1.36)	3400	13.4	58.30

### Construction of JP PM Booster



TM072273

### Material specification

Pos.	Description	Material
301	JP pump	-
402	Fitting	Brass
		Wetted parts: Technopolymer Rubber (NBR) Stainless steel (EN 1.4305) Butyl
501	Pressure Manager	

### Approvals and markings

Approvals		Markings	
ACS	CE	C-Tick	EAC
√	√	√	√

## 6. JP PT-V Booster



TM072467

Grundfos JP PT-V Booster provides the comfort of constant water pressure with automatic start and stop controlled by a pressure switch and pressure tank combined. The pressure tank limits the number of starts and stops, as water stored in the tank can be used without starting the pump in case of low water consumption or leakage loss. The cut-in pressure is set to 2.2 bar.

JP PT-V consists of a Grundfos JP pump, a pressure switch, a pressure tank and a pressure gauge. The tank is a Grundfos GT-H 18-litre vertical diaphragm tank.

### Product range

Pump type	Max. flow rate [m <sup>3</sup> /h]	Max. head [m]
JP 3-42	3	42
JP 4-47	4	47
JP 4-54	4	54
JP 5-48	5	48

### Motor

The motor is air cooled and equipped with oversized, sealed, greased-for-life ball bearings to ensure silent operation and minimum service.

Single-phase motors have a built-in thermal switch and require no additional motor protection.

### Features and benefits

#### Features and benefits of the JP pump

- Self-priming, featuring a suction lift of up to 8 m
- robust design and corrosion-free materials for a long lifetime

#### Features and benefits of the pressure tank

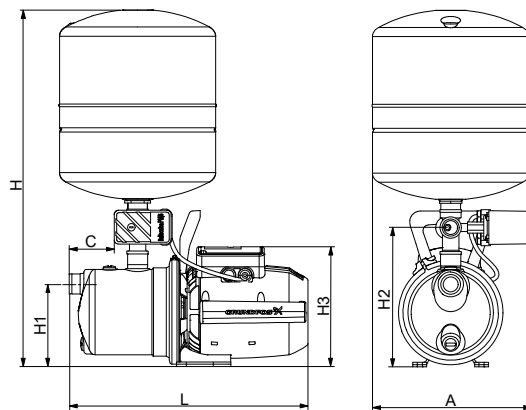
- Automatic start/stop according to consumption
- controlled pressure for the comfort of constant water supply without pressure drops
- pressure gauge
- fewer starts and stops in case of low water consumption or leakage loss
- reduced water hammer in the pipes.

#### Self-priming

A self-priming pump ensures a stable operation, even if the pump is not fully filled with liquid. The self-priming pump is able to lift liquid from below the inlet level and handle a mix of air and liquid until the pump reaches a fully-primed pumping condition.

### Technical data

#### Dimensions of JP PT-V



TM072344

Pos.	JP 3-42 PT-V [mm]	JP 4-47 PT-V [mm]	JP 4-54 PT-V [mm]	JP 5-48 PT-V [mm]
A	284	284	284	284
C	85	85	84	84
H	635	635	634	634
H1	147	147	147	147
H2	248	248	248	248
H3	203	203	213	213
L	423	423	442	442

#### Weight

JP 3-42 PT-V [kg]	JP 4-47 PT-V [kg]	JP 4-54 PT-V [kg]	JP 5-48 PT-V [kg]
15.3	15.8	17.6	19.3

## Operating conditions

System pressure	Max. 6 bar / 0.60 MPa
Suction lift	Max. 8 m, including inlet-pipe pressure loss at a liquid temperature of 20 °C
Liquid temperature	Max. 40 °C (S1) / 60 °C (S3*)
Ambient temperature	Max. 40 °C (S1) / 55 °C (S3*)
Relative humidity	Max. 98 %
Enclosure class	IP44
Insulation class	F
Supply voltage	1 x 220-240 V, 50/60 Hz 1 x 115 V, 60 Hz
Start/stop frequency	Max. 20 per hour
Sound pressure level	Max. sound pressure level of the pump: JP 3-42: 68 [dB(A)] JP 4-47: 70 [dB(A)] JP 4-54: 74 [dB(A)] JP 5-48: 81 [dB(A)]

\*S3 means that the pump will run in intermittent operation to cool down the motor.

## Electrical data JP PT-V

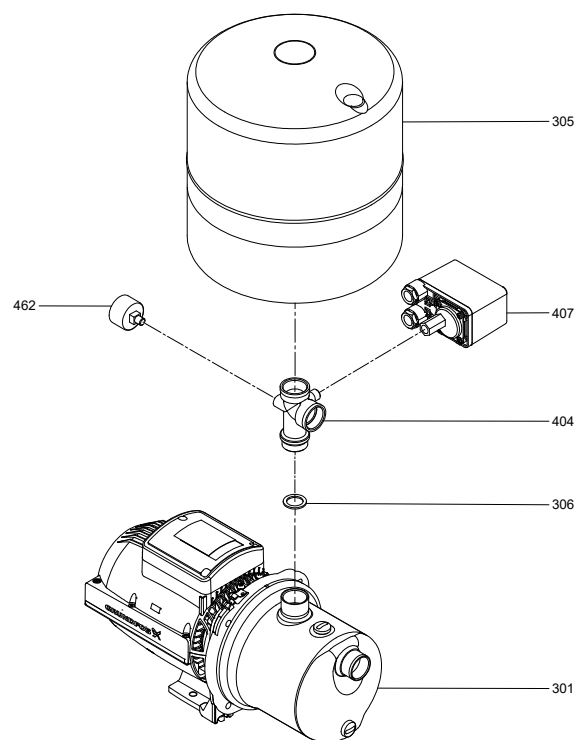
### 50 Hz

Pump type	Voltage [V]	P1 [W (hp)]	P2 [W (hp)]	n [rpm]	I <sub>n</sub> [A]	I <sub>start</sub> [A]
JP 3-42 PT-V	1 x 230	720 (0.97)	447 (0.6)	2800	3.1	9.2
JP 4-47 PT-V	1 x 230	850 (1.14)	560 (0.75)	2800	3.8	11.3
JP 4-54 PT-V	1 x 230	1130 (1.51)	746 (1.0)	2800	5.1	17.8
JP 5-48 PT-V	1 x 230	1490 (2.0)	1014 (1.36)	2800	6.6	27.9

### 60 Hz

Pump type	Voltage [V]	P1 [W (hp)]	P2 [W (hp)]	n [rpm]	I <sub>n</sub> [A]	I <sub>start</sub> [A]
JP 3-42 PT-V	1 x 230	700 (0.93)	447 (0.6)	3400	3.1	11.26
	1 x 115	730 (0.98)	447 (0.6)	3400	6.6	22.35
JP 4-47 PT-V	1 x 230	880 (1.18)	597 (0.8)	3400	3.8	12.50
	1 x 115	900 (1.21)	596 (0.8)	3400	8.0	26.30
JP 4-54 PT-V	1 x 230	1100 (1.47)	746 (1.0)	3400	5.1	23.70
	1 x 115	1100 (1.47)	746 (1.0)	3400	9.7	47.54
JP 5-48 PT-V	1 x 230	1450 (1.94)	1014 (1.36)	3400	6.6	38.22
	1 x 115	1470 (1.97)	1014 (1.36)	3400	13.4	58.30

## Construction of JP PT-V Booster



TM072275

## Material specification

Pos.	Description	Material
301	JP pump	
305	Tank	Stainless steel (EN 1.4305) Wetted parts: Butyl Stainless steel (EN 1.4305)
404	5 way valve	Brass
405	Plug	
406	Gasket	
407	Pressure switch	Wetted parts: Rubber (NBR) Stainless steel (EN 1.4305) Brass
462	Manometer	

## Approvals and markings

Approvals		Markings	
ACS	CE	C-Tick	EAC
√	√	√	√

## 7. JP PT-H Booster



TM072466

Grundfos JP PT-H Booster provides the comfort of constant water pressure with automatic start and stop controlled by a pressure switch and pressure tank combined. The pressure tank limits the number of starts and stops, as water stored in the tank can be used without starting the pump in case of low water consumption or leakage loss. The cut-in pressure is set to 2.2 bar.

JP PT-H consists of a Grundfos JP pump, a pressure switch, a pressure tank and a pressure gauge. The tank is a Grundfos GT-H 20-litre horizontal diaphragm tank.

### Product range

Pump type	Max. flow rate [m <sup>3</sup> /h]	Max. head [m]
JP 3-42	3	42
JP 4-47	4	47
JP 4-54	4	54
JP 5-48	5	48

### Motor

The motor is air cooled and equipped with oversized, sealed, greased-for-life ball bearings to ensure silent operation and minimum service.

Single-phase motors have a built-in thermal switch and require no additional motor protection.

### Features and benefits

#### Features and benefits of the JP pump

- Self-priming, featuring a suction lift of up to 8 m
- robust design and corrosion-free materials for a long lifetime

#### Features and benefits of the pressure tank

- Automatic start/stop according to consumption
- controlled pressure for the comfort of constant water supply without pressure drops

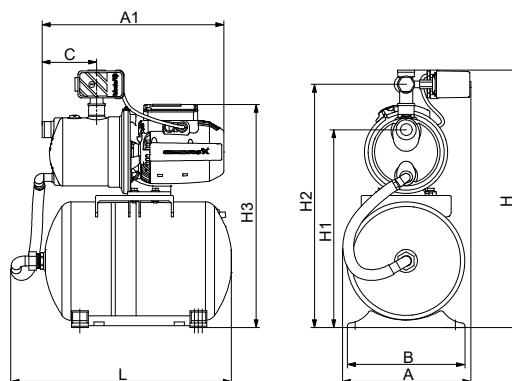
- pressure gauge
- fewer starts and stops in case of low water consumption or leakage loss
- reduced water hammer in the pipes.

### Self-priming

A self-priming pump ensures a stable operation, even if the pump is not fully filled with liquid. The self-priming pump is able to lift liquid from below the inlet level and handle a mix of air and liquid until the pump reaches a fully-primed pumping condition.

### Technical data

#### Dimensions of JP PT-H



TM072379

Pos.	JP 3-42 PT-H [mm]	JP 4-47 PT-H [mm]	JP 4-54 PT-H [mm]	JP 5-48 PT-H [mm]
A	284	284	286	286
A1	405	405	423	423
B	263	263	263	263
C	120	120	120	120
H	576	576	577	577
H1	443	443	443	443
H2	544	544	545	545
H3	499	499	509	509
L	493	493	493	493

### Weight

JP 3-42 PT-H [kg]	JP 4-47 PT-H [kg]	JP 4-54 PT-H [kg]	JP 5-48 PT-H [kg]
16.2	16.7	18.5	20.2

## Operating conditions

System pressure	Max. 6 bar / 0.60 MPa
Suction lift	Max. 8 m, including inlet-pipe pressure loss at a liquid temperature of 20 °C
Liquid temperature	Max. 40 °C (S1) / 60 °C (S3*)
Ambient temperature	Max. 40 °C (S1) / 55 °C (S3*)
Relative humidity	Max. 98 %
Enclosure class	IP44
Insulation class	F
Supply voltage	1 x 220-240 V, 50/60 Hz 1 x 115 V, 60 Hz
Start/stop frequency	Max. 20 per hour
Sound pressure level	Max. sound pressure level of the pump: JP 3-42: 68 [dB(A)] JP 4-47: 70 [dB(A)] JP 4-54: 74 [dB(A)] JP 5-48: 81 [dB(A)]

\*S3 means that the pump will run in intermittent operation to cool down the motor.

## Electrical data JP PT-H

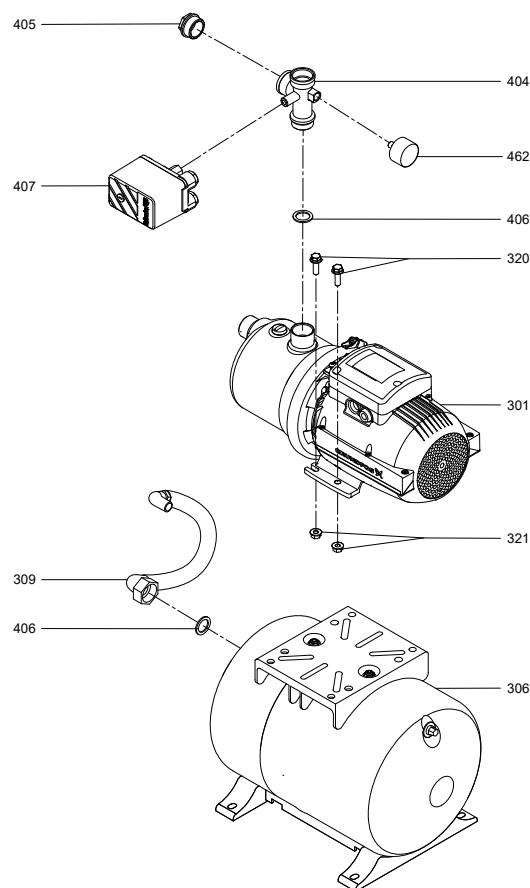
### 50 Hz

Pump type	Voltage [V]	P1 [W (hp)]	P2 [W (hp)]	n [rpm]	I <sub>n</sub> [A]	I <sub>start</sub> [A]
JP 3-42 PT-H	1 x 230	720 (0.97)	447 (0.6)	2800	3.1	9.2
JP 4-47 PT-H	1 x 230	850 (1.14)	560 (0.75)	2800	3.8	11.3
JP 4-54 PT-H	1 x 230	1130 (1.51)	746 (1.0)	2800	5.1	17.8
JP 5-48 PT-H	1 x 230	1490 (2.0)	1014 (1.36)	2800	6.6	27.9

### 60 Hz

Pump type	Voltage [V]	P1 [W (hp)]	P2 [W (hp)]	n [rpm]	I <sub>n</sub> [A]	I <sub>start</sub> [A]
JP 3-42 PT-H	1 x 230	700 (0.93)	447 (0.6)	3400	3.1	11.26
	1 x 115	730 (0.98)	447 (0.6)	3400	6.6	22.35
JP 4-47 PT-H	1 x 230	880 (1.18)	597 (0.8)	3400	3.8	12.50
	1 x 115	900 (1.21)	596 (0.8)	3400	8.0	26.30
JP 4-54 PT-H	1 x 230	1100 (1.47)	746 (1.0)	3400	5.1	23.70
	1 x 115	1100 (1.47)	746 (1.0)	3400	9.7	47.54
JP 5-48 PT-H	1 x 230	1450 (1.94)	1014 (1.36)	3400	6.6	38.22
	1 x 115	1470 (1.97)	1014 (1.36)	3400	13.4	58.30

## Construction of JP PT-H Booster



TM072274

## Material specification

Pos.	Description	Material
301	JP pump	Stainless steel (EN 1.4305)
306	Tank	Wetted parts: Butyl Stainless steel (EN 1.4305)
309	Hose	
404	5 way valve	Brass
405	Plug	Stainless steel (EN 1.4305)
406	Gasket	
407	Pressure switch	Wetted parts: Rubber (NBR) Stainless steel (EN 1.4305) Brass
462	Manometer	

## Approvals and markings

Approvals		Markings	
ACS	CE	C-Tick	EAC
√	√		√



## 8. Product numbers

### Guide to read the product-number tables

Abbreviation	Description
JP	Pump
JP X-XX 316	AISI 316 variant
JP PM	Pump with pressure manager
JP PT-V	Pump with 18-litre vertical pressure tank
JP PT-H	Pump with 20-litre horizontal pressure tank

When reading the product-number tables, please refer to the table above for abbreviations and definitions.

## JP

### 50 Hz

Pump model	Voltage	Plug type/cable	Thread	Country of origin	Product number
JP 3-42	1 x 230 V 50 Hz	Schuko	G1	Hungary	99458766
JP 4-47	1 x 230 V 50 Hz	Schuko	G1	Hungary	99458767
JP 4-54	1 x 230 V 50 Hz	Schuko	G1	Hungary	99458768
JP 5-48	1 x 230 V 50 Hz	Schuko	G1	Hungary	99458769
JP 3-42 SNI*	1 x 230 V 50 Hz	Schuko	G1	China	99458770
JP 4-47 SNI*	1 x 230 V 50 Hz	Schuko	G1	China	99458771
JP 4-54 SNI*	1 x 230 V 50 Hz	Schuko	G1	China	99458772
JP 5-48 SNI*	1 x 230 V 50 Hz	Schuko	G1	China	99458773
JP 3-42	1 x 230 V 50 Hz	Type G	G1	Hungary	99458786
JP 4-47	1 x 230 V 50 Hz	Type G	G1	Hungary	99458787
JP 4-54	1 x 230 V 50 Hz	Type G	G1	Hungary	99458789
JP 5-48	1 x 230 V 50 Hz	Type G	G1	Hungary	99458790
JP 3-42	1 x 230 V 50 Hz	Type I	G1	China	99458782
JP 4-47	1 x 230 V 50 Hz	Type I	G1	China	99458783
JP 4-54	1 x 230 V 50 Hz	Type I	G1	China	99458784
JP 5-48	1 x 230 V 50 Hz	Type I	G1	China	99458785
JP 3-42	1 x 230 V 50 Hz	Cable only	G1	Hungary	99458791
JP 4-47	1 x 230 V 50 Hz	Cable only	G1	Hungary	99458792
JP 4-54	1 x 230 V 50 Hz	Cable only	G1	Hungary	99458793
JP 5-48	1 x 230 V 50 Hz	Cable only	G1	Hungary	99458794
JP 3-42	1 x 230 V 50 Hz	Cable only	G1	China	99458803
JP 4-47	1 x 230 V 50 Hz	Cable only	G1	China	99458804
JP 4-54	1 x 230 V 50 Hz	Cable only	G1	China	99458805
JP 5-48	1 x 230 V 50 Hz	Cable only	G1	China	99458806
JP 4-47 316	1 x 230 V 50 Hz	Cable only	G1	Hungary	99476699
JP 5-48 316	1 x 230 V 50 Hz	Cable only	G1	Hungary	99476700
JP 3-42	1 x 230 V 50 Hz	No cable	G1	Hungary	99458823
JP 4-47	1 x 230 V 50 Hz	No cable	G1	Hungary	99458824
JP 4-54	1 x 230 V 50 Hz	No cable	G1	Hungary	99458825
JP 5-48	1 x 230 V 50 Hz	No cable	G1	Hungary	99458826

Pump model	Voltage	Plug type/cable	Thread	Country of origin	Product number
JP 3-42	1 x 230 V 50 Hz	No cable	G1	China	99480401
JP 4-47	1 x 230 V 50 Hz	No cable	G1	China	99480402
JP 4-54	1 x 230 V 50 Hz	No cable	G1	China	99480415
JP 5-48	1 x 230 V 50 Hz	No cable	G1	China	99480416

\* Warranty card for Indonesia is included.

## 60 Hz

Pump model	Voltage	Plug type/cable	Thread	Country of origin	Product number
JP 3-42	1 x 230 V 60 Hz	Type N	G1	Hungary	99458807
JP 4-47	1 x 230 V 60 Hz	Type N	G1	Hungary	99458808
JP 4-54	1 x 230 V 60 Hz	Type N	G1	Hungary	99458809
JP 5-48	1 x 230 V 60 Hz	Type N	G1	Hungary	99458810
JP 3-42	1 x 115 V 60 Hz	Cable only	NPT 1	China	99507332
JP 4-47	1 x 115 V 60 Hz	Cable only	NPT 1	China	99507343
JP 4-54	1 x 115 V 60 Hz	Cable only	NPT 1	China	99507344
JP 5-48	1 x 115 V 60 Hz	Cable only	NPT 1	China	99507345
JP 3-42	1 x 230 V 60 Hz	Cable only	NPT 1	China	99507328
JP 4-47	1 x 230 V 60 Hz	Cable only	NPT 1	China	99507329
JP 4-54	1 x 230 V 60 Hz	Cable only	NPT 1	China	99507330
JP 5-48	1 x 230 V 60 Hz	Cable only	NPT 1	China	99507331
JP 3-42 ARB**	1 x 230 V 60 Hz	Cable only	G1	Hungary	99458811
JP 4-47 ARB**	1 x 230 V 60 Hz	Cable only	G1	Hungary	99458812
JP 4-54 ARB**	1 x 230 V 60 Hz	Cable only	G1	Hungary	99458813
JP 5-48 ARB**	1 x 230 V 60 Hz	Cable only	G1	Hungary	99458814
JP 3-42	1 x 115 V 60 Hz	Cable only	G1	Hungary	99458778
JP 4-47	1 x 115 V 60 Hz	Cable only	G1	Hungary	99458779
JP 4-54	1 x 115 V 60 Hz	Cable only	G1	Hungary	99458780
JP 5-48	1 x 115 V 60 Hz	Cable only	G1	Hungary	99458781

\*\* Printed installation and operating instructions in English (UK) and Arabic are included.

## JP PM

### 50 Hz

Pump model	Voltage	Plug type/cable	Thread	Country of origin	Product number
JP 3-42 PM	1 x 230 V 50 Hz	Schuko	G1	Hungary	99515135
JP 4-47 PM	1 x 230 V 50 Hz	Schuko	G1	Hungary	99515136
JP 4-54 PM	1 x 230 V 50 Hz	Schuko	G1	Hungary	99515137
JP 5-48 PM	1 x 230 V 50 Hz	Schuko	G1	Hungary	99515138
JP 3-42 PM	1 x 230 V 50 Hz	Type G	G1	China	99463906
JP 4-47 PM	1 x 230 V 50 Hz	Type G	G1	China	99463907
JP 4-54 PM	1 x 230 V 50 Hz	Type G	G1	China	99463908
JP 5-48 PM	1 x 230 V 50 Hz	Type G	G1	China	99463909

Pump model	Voltage	Plug type/cable	Thread	Country of origin	Product number
JP 3-42 PM	1 x 230 V 50 Hz	Type I	G1	China	99463898
JP 4-47 PM	1 x 230 V 50 Hz	Type I	G1	China	99463899
JP 4-54 PM	1 x 230 V 50 Hz	Type I	G1	China	99463900
JP 5-48 PM	1 x 230 V 50 Hz	Type I	G1	China	99463901

**60 Hz**

Pump model	Voltage	Plug type/cable	Thread	Country of origin	Product number
JP 3-42 PM	1 x 230 V 60 Hz	Cable only	NPT 1	China	99507468
JP 4-47 PM	1 x 230 V 60 Hz	Cable only	NPT 1	China	99507469
JP 4-54 PM	1 x 230 V 60 Hz	Cable only	NPT 1	China	99507470
JP 5-48 PM	1 x 230 V 60 Hz	Cable only	NPT 1	China	99507471
JP 3-42 PM	1 x 115 V 60 Hz	Cable only	NPT 1	China	99507472
JP 4-47 PM	1 x 115 V 60 Hz	Cable only	NPT 1	China	99507483
JP 4-54 PM	1 x 115 V 60 Hz	Cable only	NPT 1	China	99507484
JP 5-48 PM	1 x 115 V 60 Hz	Cable only	NPT 1	China	99507485

**JP PT-V****50 Hz**

Pump model	Voltage	Plug type/cable	Thread	Country of origin	Product number
JP 3-42 PT-V	1 x 230 V 50 Hz	Schuko	G1	China	99463870
JP 4-47 PT-V	1 x 230 V 50 Hz	Schuko	G1	China	99463871
JP 4-54 PT-V	1 x 230 V 50 Hz	Schuko	G1	China	99463872
JP 5-48 PT-V	1 x 230 V 50 Hz	Schuko	G1	China	99463873
JP 3-42 PT-V SNI*	1 x 230 V 50 Hz	Schuko	G1	China	99463878
JP 4-47 PT-V SNI*	1 x 230 V 50 Hz	Schuko	G1	China	99463879
JP 4-54 PT-V SNI*	1 x 230 V 50 Hz	Schuko	G1	China	99463880
JP 5-48 PT-V SNI*	1 x 230 V 50 Hz	Schuko	G1	China	99463881
JP 3-42 PT-V	1 x 230 V 50 Hz	Cable only	G1	China	99463914
JP 4-47 PT-V	1 x 230 V 50 Hz	Cable only	G1	China	99463915
JP 4-54 PT-V	1 x 230 V 50 Hz	Cable only	G1	China	99463916
JP 5-48 PT-V	1 x 230 V 50 Hz	Cable only	G1	China	99463917
JP 3-42 PT-V	1 x 230 V 50 Hz	Type G	G1	China	99463902
JP 4-47 PT-V	1 x 230 V 50 Hz	Type G	G1	China	99463903
JP 4-54 PT-V	1 x 230 V 50 Hz	Type G	G1	China	99463904
JP 5-48 PT-V	1 x 230 V 50 Hz	Type G	G1	China	99463905
JP 3-42 PT-V	1 x 230 V 50 Hz	Type I	G1	China	99463894
JP 4-47 PT-V	1 x 230 V 50 Hz	Type I	G1	China	99463895
JP 4-54 PT-V	1 x 230 V 50 Hz	Type I	G1	China	99463896
JP 5-48 PT-V	1 x 230 V 50 Hz	Type I	G1	China	99463897

\* Warranty card for Indonesia is included.

## JP PT-H

### 50 Hz

Pump model	Voltage	Plug type/cable	Thread	Country of origin	Product number
JP 3-42 PT-H	1 x 230 V 50 Hz	Schuko	G1	Hungary	99463874
JP 4-47 PT-H	1 x 230 V 50 Hz	Schuko	G1	Hungary	99463875
JP 4-54 PT-H	1 x 230 V 50 Hz	Schuko	G1	Hungary	99463876
JP 5-48 PT-H	1 x 230 V 50 Hz	Schuko	G1	Hungary	99463877
JP 3-42 PT-H	1 x 230 V 50 Hz	Type G	G1	Hungary	99463910
JP 4-47 PT-H	1 x 230 V 50 Hz	Type G	G1	Hungary	99463911
JP 4-54 PT-H	1 x 230 V 50 Hz	Type G	G1	Hungary	99463912
JP 5-48 PT-H	1 x 230 V 50 Hz	Type G	G1	Hungary	99463913
JP 3-42 PT-H	1 x 230 V 50 Hz	Cable only	G1	Hungary	99463918
JP 4-47 PT-H	1 x 230 V 50 Hz	Cable only	G1	Hungary	99463919
JP 4-54 PT-H	1 x 230 V 50 Hz	Cable only	G1	Hungary	99463920
JP 5-48 PT-H	1 x 230 V 50 Hz	Cable only	G1	Hungary	99463921

# 9. Grundfos Product Center

Online search and sizing tool to help you make the right choice.

<http://product-selection.grundfos.com>

### All the information you need in one place

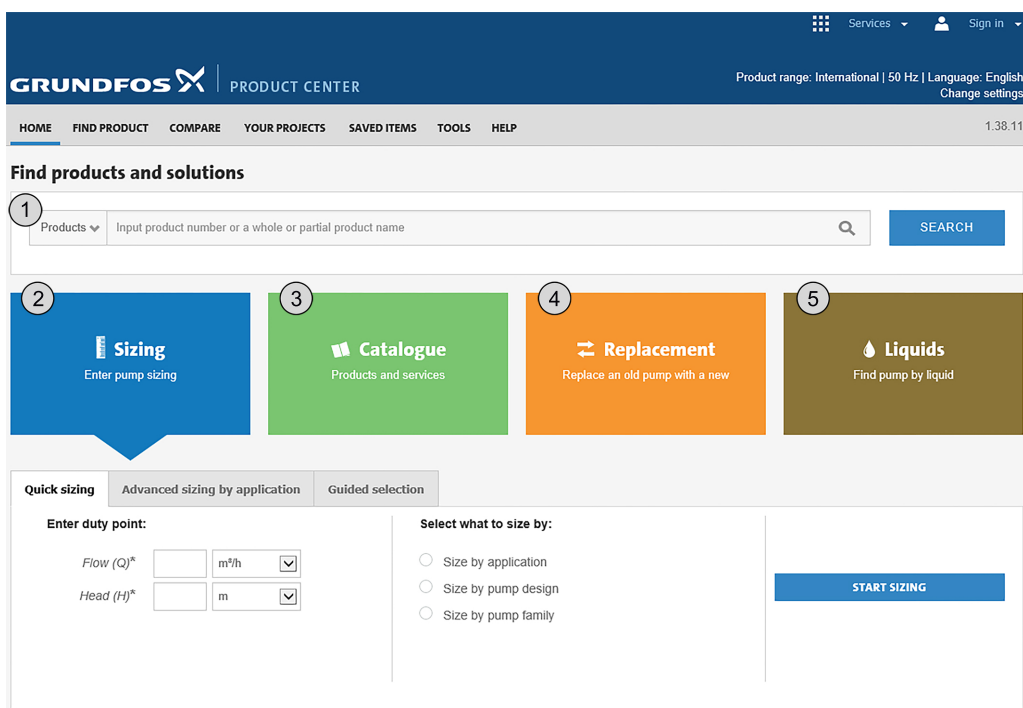
Performance curves, technical specifications, pictures, dimensional drawings, motor curves, wiring diagrams, spare parts, service kits, 3D drawings, documents, system parts. The Product Center displays any recent and saved items - including complete projects - right on the main page.

### Downloads

On the product pages, you can download installation and operating instructions, data booklets, service instructions, etc. in PDF format.



TM072384



TM072383-1

Pos.	Description
1	This drop-down menu enables you to set the search function to "Products" or "Literature".
2	<b>SIZING</b> enables you to size a pump based on entered data and selection choices.
3	<b>CATALOGUE</b> gives you access to the Grundfos product catalogue. <b>REPLACEMENT</b> enables you to find a replacement product. Search results will include information on
4	<ul style="list-style-type: none"> <li>the lowest purchase price</li> <li>the lowest energy consumption</li> <li>the lowest total life cycle cost.</li> </ul>
5	<b>LIQUIDS</b> enables you to find pumps designed for aggressive, flammable or other special liquids.

**Argentina**

Bombas GRUNDFOS de Argentina S.A.  
Ruta Panamericana km. 37.500 Centro  
Industrial Garin  
1619 - Garin Pcia. de B.A.  
Tel.: +54-3327 414 444  
Fax: +54-3327 45 3190

**Australia**

GRUNDFOS Pumps Pty. Ltd.  
P.O. Box 2040  
Regency Park  
South Australia 5942  
Tel.: +61-8-8461-4611  
Fax: +61-8-8340-0155

**Austria**

GRUNDFOS Pumpen Vertrieb Ges.m.b.H.  
Grundfosstraße 2  
A-5082 Grödig/Salzburg  
Tel.: +43-6246-883-0  
Fax: +43-6246-883-30

**Belgium**

N.V. GRUNDFOS Bellux S.A.  
Boomssesteenweg 81-83  
B-2630 Aartselaar  
Tel.: +32-3-870 7300  
Fax: +32-3-870 7301

**Belarus**

Представительство ГРУНДФОС в  
Минске  
220125, Минск  
ул. Шафарнянская, 11, оф. 56, БЦ  
«Порт»  
Тел.: +7 (375 17) 286 39 72/73  
Факс: +7 (375 17) 286 39 71  
E-mail: minsk@grundfos.com

**Bosnia and Herzegovina**

GRUNDFOS Sarajevo  
Zmajica od Bosne 7-7A  
BiH-71000 Sarajevo  
Tel.: +387 33 592 480  
Fax: +387 33 590 465  
www.ba.grundfos.com  
E-mail: grundfos@bih.net.ba

**Brazil**

BOMBAS GRUNDFOS DO BRASIL  
Av. Humberto de Alencar Castelo Branco,  
630  
CEP 09850 - 300  
São Bernardo do Campo - SP  
Tel.: +55-11 4393 5533  
Fax: +55-11 4343 5015

**Bulgaria**

Grundfos Bulgaria EOOD  
Slatina District  
Iztochna Tangenta street no. 100  
BG - 1592 Sofia  
Tel.: +359 2 49 22 200  
Fax: +359 2 49 22 201  
E-mail: bulgaria@grundfos.bg

**Canada**

GRUNDFOS Canada Inc.  
2941 Brighton Road  
Oakville, Ontario  
L6H 6C9  
Tel.: +1-905 829 9533  
Fax: +1-905 829 9512

**China**

GRUNDFOS Pumps (Shanghai) Co. Ltd.  
10F The Hub, No. 33 Suhong Road  
Minhang District  
Shanghai 201106 PRC  
Tel.: +86 21 612 252 22  
Fax: +86 21 612 253 33

**Columbia**

GRUNDFOS Colombia S.A.S.  
Km 1.5 vía Siberia-Cota Conj. Protero  
Chico,  
Parque Empresarial Arcos de Cota Bod.  
1A.  
Cota, Cundinamarca  
Tel.: +57(1)-2913444  
Fax: +57(1)-8764586

**Croatia**

GRUNDFOS CROATIA d.o.o.  
Buzinski prilaz 38, Buzin  
HR-10010 Zagreb  
Tel.: +385 1 6595 400  
Fax: +385 1 6595 499  
www.hr.grundfos.com

**Czech Republic**

GRUNDFOS Sales Czechia and Slovakia  
s.r.o.  
Čajkovského 21  
779 00 Olomouc  
Tel.: +420-585-716 111

**Denmark**

GRUNDFOS DK A/S  
Martin Bachs Vej 3  
DK-8850 Bjerringbro  
Tel.: +45-87 50 50 50  
Fax: +45-87 50 51 51  
E-mail: info\_GDK@grundfos.com  
www.grundfos.com/DK

**Estonia**

GRUNDFOS Pumps Eesti OÜ  
Peterburi tee 92G  
11415 Tallinn  
Tel.: +372 606 1690  
Fax: +372 606 1691

**Finland**

OY GRUNDFOS Pumput AB  
Trukkikuja 1  
FI-01360 Vantaa  
Tel.: +358-(0) 207 889 500

**France**

Pompes GRUNDFOS Distribution S.A.  
Parc d'Activités de Chesnes  
57, rue de Malacombes  
F-38290 St. Quentin Fallavier (Lyon)  
Tel.: +33-4 74 82 15 15  
Fax: +33-4 74 94 10 51

**Germany**

GRUNDFOS GMBH  
Schlüterstr. 33  
40699 Erkrath  
Tel.: +49-(0) 211 929 69-0  
Fax: +49-(0) 211 929 69-3799  
E-mail: infoservice@grundfos.de  
Service in Deutschland:  
kundendienst@grundfos.de

**Greece**

GRUNDFOS Hellas A.E.B.E.  
20th km. Athinon-Markopoulou Av.  
P.O. Box 71  
GR-19002 Peania  
Tel.: +0030-210-66 83 400  
Fax: +0030-210-66 46 273

**Hong Kong**

GRUNDFOS Pumps (Hong Kong) Ltd.  
Unit 1, Ground floor, Siu Wai Industrial  
Centre  
29-33 Wing Hong Street & 68 King Lam  
Street, Cheung Sha Wan  
Kowloon  
Tel.: +852-27861706 / 27861741  
Fax: +852-27858664

**Hungary**

GRUNDFOS Hungária Kft.  
Tópark u. 8  
H-2045 Törökbálint  
Tel.: +36-23 511 110  
Fax: +36-23 511 111

**India**

GRUNDFOS Pumps India Private Limited  
118 Old Mahabalipuram Road  
Thoraipakkam  
Chennai 600 097  
Tel.: +91-44 2496 6800

**Indonesia**

PT GRUNDFOS Pompa  
Graha Intrub Lt. 2 & 3  
Jln. Cililitan Besar No.454. Makasar,  
Jakarta Timur  
ID-Jakarta 13650  
Tel.: +62 21-469-51900  
Fax: +62 21-460 6910 / 460 6901

**Ireland**

GRUNDFOS (Ireland) Ltd.  
Unit A, Merrywell Business Park  
Ballymount Road Lower  
Dublin 12  
Tel.: +353-1-4089 800  
Fax: +353-1-4089 830

**Italy**

GRUNDFOS Pompe Italia S.r.l.  
Via Gran Sasso 4  
I-20060 Truccazzano (Milano)  
Tel.: +39-02-95838112  
Fax: +39-02-95309290 / 95838461

**Japan**

GRUNDFOS Pumps K.K.  
1-2-3, Shin-Miyakoda, Kita-ku  
Hamamatsu  
431-2103 Japan  
Tel.: +81 53 428 4760  
Fax: +81 53 428 5005

**Korea**

GRUNDFOS Pumps Korea Ltd.  
6th Floor, Aju Building 679-5  
Yeoksam-dong, Kangnam-ku, 135-916  
Seoul, Korea  
Tel.: +82-2-5317 600  
Fax: +82-2-5633 725

**Latvia**

SIA GRUNDFOS Pumps Latvia  
Deglava biznesa centrs  
Augusta Deglava ielā 60  
LV-1035, Rīga,  
Tel.: +371 714 9640, 7 149 641  
Fax: +371 914 9646

**Lithuania**

GRUNDFOS Pumps UAB  
Smolensko g. 6  
LT-03201 Vilnius  
Tel.: +370 52 395 430  
Fax: +370 52 395 431

**Malaysia**

GRUNDFOS Pumps Sdn. Bhd.  
7 Jalan Peguam U1/25  
Glenmarie Industrial Park  
40150 Shah Alam, Selangor  
Tel.: +60-3-5569 2922  
Fax: +60-3-5569 2866

**Mexico**

Bombas GRUNDFOS de México  
S.A. de C.V.  
Boulevard TLC No. 15  
Parque Industrial Stiva Aeropuerto  
Apodaca, N.L. 66600  
Tel.: +52-81-8144 4000  
Fax: +52-81-8144 4010

**Netherlands**

GRUNDFOS Netherlands  
Veluwezoom 35  
1326 AE Almere  
Postbus 22015  
1302 CA ALMERE  
Tel.: +31-88-478 6336  
Fax: +31-88-478 6332  
E-mail: info\_gnl@grundfos.com

**New Zealand**

GRUNDFOS Pumps NZ Ltd.  
17 Beatrice Tinsley Crescent  
North Harbour Industrial Estate  
Albany, Auckland  
Tel.: +64-9-415 3240  
Fax: +64-9-415 3250

**Norway**

GRUNDFOS Pumper A/S  
Stramsveien 344  
Postboks 235, Leirdal  
N-1011 Oslo  
Tel.: +47-22 90 47 00  
Fax: +47-22 32 21 50

**Poland**

GRUNDFOS Pompy Sp. z o.o.  
ul. Klonowa 23  
Baranowo k. Poznania  
PL-62-081 Przeźmierowo  
Tel.: (+48-61) 650 13 00  
Fax: (+48-61) 650 13 50

**Portugal**

Bombas GRUNDFOS Portugal, S.A.  
Rua Calvet de Magalhães, 241  
Apartado 1079  
P-2770-153 Paço de Arcos  
Tel.: +351-21-440 76 00  
Fax: +351-21-440 76 90

**Romania**

GRUNDFOS Pompe România SRL  
Bd. Biruintei, nr 103  
Pantelimon county Ilfov  
Tel.: +40 21 200 4100  
Fax: +40 21 200 4101  
E-mail: romania@grundfos.ro

**Russia**

ООО Грундфос Россия  
ул. Школьная, 39-41  
Москва, RU-109544, Russia  
Тел. (+7) 495 564-88-00 (495) 737-30-00  
Факс (+7) 495 564 8811  
E-mail grundfos.moscow@grundfos.com

**Serbia**

Grundfos Srbija d.o.o.  
Omladinskih brigada 90b  
11070 Novi Beograd  
Tel.: +381 11 2258 740  
Fax: +381 11 2281 769  
www.rs.grundfos.com

**Singapore**

GRUNDFOS (Singapore) Pte. Ltd.  
25 Jalan Tukang  
Singapore 619264  
Tel.: +65-6681 9688  
Fax: +65-6681 9689

**Slovakia**

GRUNDFOS s.r.o.  
Prievozská 4D 821 09 BRATISLAVA  
Tel.: +421 2 5020 1426  
sk.grundfos.com

**Slovenia**

GRUNDFOS LJUBLJANA, d.o.o.  
Leskoškova 9e, 1122 Ljubljana  
Tel.: +386 (0) 1 568 06 10  
Fax: +386 (0) 1 568 06 19  
E-mail: tehnika-si@grundfos.com

**South Africa**

GRUNDFOS (PTY) LTD  
Corner Mountjoy and George Allen Roads  
Wilbart Ext. 2, Bedfordview 2008  
Tel.: (+27) 11 579 4800  
Fax: (+27) 11 455 6066  
E-mail: lsmart@grundfos.com

**Spain**

Bombas GRUNDFOS España S.A.  
Camino de la Fuenteclilla, s/n  
E-28110 Algete (Madrid)  
Tel.: +34-91-848 8800  
Fax: +34-91-628 0465

**Sweden**

GRUNDFOS AB  
Box 333 (Lunnagårdsgatan 6)  
431 24 Mölndal  
Tel.: +46 31 332 23 000  
Fax: +46 31 331 94 60

**Switzerland**

GRUNDFOS Pumpen AG  
Bruggacherstrasse 10  
CH-8117 Fällanden/ZH  
Tel.: +41-44-806 8111  
Fax: +41-44-806 8115

**Taiwan**

GRUNDFOS Pumps (Taiwan) Ltd.  
7 Floor, 219 Min-Chuan Road  
Taichung, Taiwan, R.O.C.  
Tel.: +886-4-2305 0868  
Fax: +886-4-2305 0878

**Thailand**

GRUNDFOS (Thailand) Ltd.  
92 Chaloom Phrakiat Rama 9 Road  
Dokmai, Pravej, Bangkok 10250  
Tel.: +66-2-725 8999  
Fax: +66-2-725 8998

**Turkey**

GRUNDFOS POMPA San. ve Tic. Ltd. Sti.  
Gebze Organize Sanayi Bölgesi  
Ihsan dede Caddesi  
2. yol 200. Sokak No. 204  
41490 Gebze/ Kocaeli  
Tel.: +90 - 262-679 7979  
Fax: +90 - 262-679 7905  
E-mail: satis@grundfos.com

**Ukraine**

Бізнес Центр Європа  
Столицне шосе, 103  
м. Київ, 03131, Україна  
Tel.: (+38 044) 237 04 00  
Fax: (+38 044) 237 04 01  
E-mail: ukraine@grundfos.com

**United Arab Emirates**

GRUNDFOS Gulf Distribution  
P.O. Box 16768  
Jebel Ali Free Zone, Dubai  
Tel.: +971 4 8815 166  
Fax: +971 4 8815 136

**United Kingdom**

GRUNDFOS Pumps Ltd.  
Grovebury Road  
Leighton Buzzard/Beds. LU7 4TL  
Tel.: +44-1525-850000  
Fax: +44-1525-850011

**U.S.A.**

GRUNDFOS Pumps Corporation  
9300 Loiret Boulevard  
Lenexa, Kansas 66219 USA  
Tel.: +1 913 227 3400  
Fax: +1 913 227 3500

**Uzbekistan**

Grundfos Tashkent, Uzbekistan  
The Representative Office of Grundfos  
Kazakhstan in Uzbekistan  
38a, Oybek street, Tashkent  
Tel.: (+998) 71 150 3290 / 71 150 3291  
Fax: (+998) 71 150 3292

**Revision Info**

Last revised on 17-10-2018

