

FLO-KWIP

SDC12-30

Heavy Duty 12v DC Submersible Contractor Pump



APPLICATIONS

These D.C. electric submersible pumps at 12V are suitable for the lifting of dirty water. Driven by normal batteries they are particularly used for the lifting of water from road drain wells, basements and from sites where the electric current is not available. For battery power applications. Rugged stainless steel / cast iron construction
High Performance / Low weight: 240LPM/ 11kg plus cables

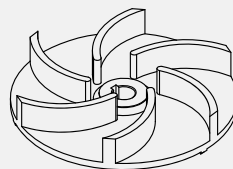
SPECIFICATIONS

Semi-Open Impeller
Max temperature of the liquid pumped:
+40°C
pH of the liquid pumped: 6-10
Max immersion depth: 5 m
Liquid density: 1,0 kg/dm³
Discharge: 40mm / 1 1/2" FBSP
Min immersion depth for continuous service:
300 mm
Free passage:
Pump: 13mm
Strainer: 8mm
Max number starts/hour: 20
Inlet with strainer (free passage 8mm)

MATERIALS

Cover
Cast iron EN GJL 200 (UNI EN 1561)
Pump housing
Cast iron EN GJL 200 (UNI EN 1561)
Supporting foot
Cast iron EN GJL 200 (UNI EN 1561)
Impeller
Cast iron EN GJL 200 (UNI EN 1561)
Mechanical seal
Silicon Carbide/Silicon Carbide (SiC/SiC)
Motor housing
Stainless steel AISI 304
Motor shaft
Stainless steel AISI 416
Bolts and nuts
Stainless steel Grde A2
Cable
10 meters type H07RN-F 1G16mm²
and battery clamps

SEMI-OPEN IMPELLER



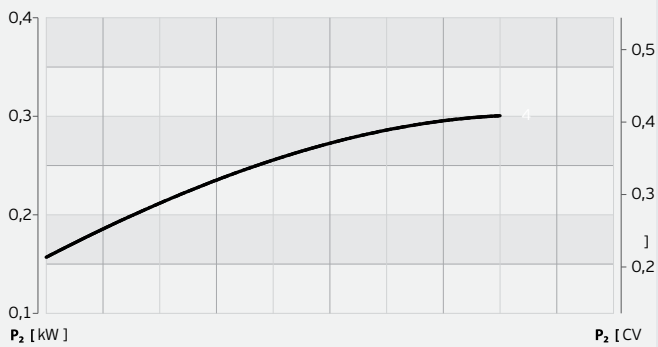
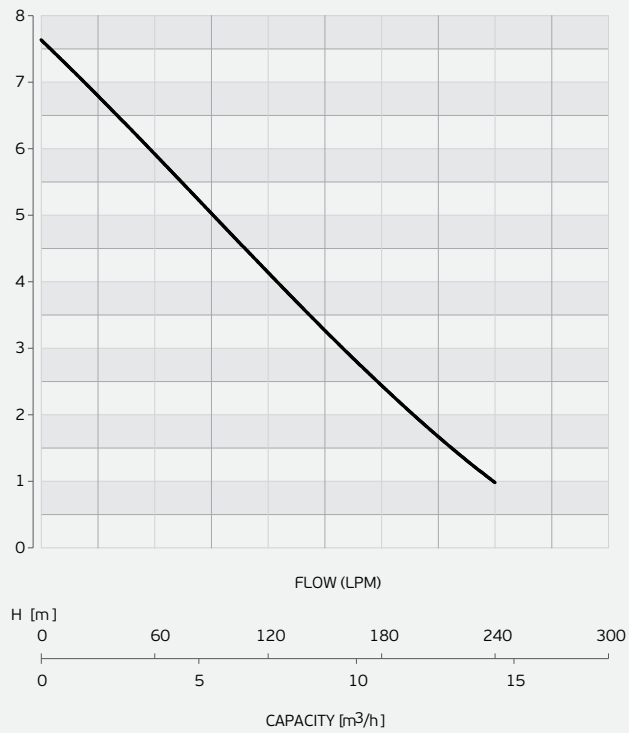
MOTOR

12VDC / 0.3kW
The electric motor is asynchronous with squirrelcage rotor in dry chamber
Class of insulation F
Protection degree IP68
Main voltage values and relative tolerance in relation to the rated voltage value:
12V D.C. +10% ÷ -5%

TECHNICAL DATA

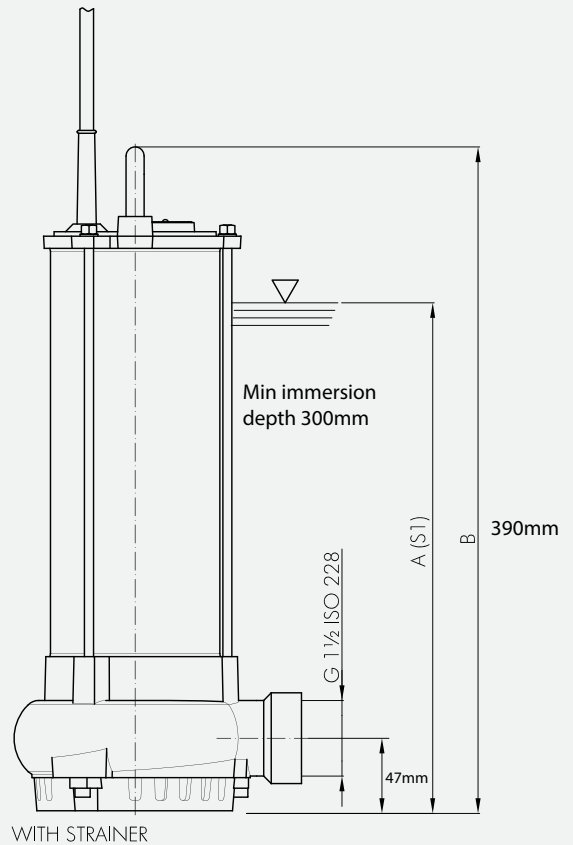
MODEL	P1 kW	P2 kW	VOLTAGE VDC	CURRENT A	CABLE m	WEIGHT kg
SDC12-30	0,40	0.30	12	34	10	11kg +cable

PERFORMANCE CURVE



Performance tolerance in according to UNI/ISO 9906 Grade 2

INSTALLATION DIMENSIONS



	A	B
SDC12-30	300	390

