

Receiver

From

Society
Reference
Address
Phone
Fax
E-mail

Item n° :

60194402

Model :

NOVA 200 M-NA 40th - 10m

Pump data

Free passage : 5 mm
Aspiration level minimum : 8 mm
Max. immersion depth : 7 m
Min. fluid temperature : 0 °C
Max. fluid temperature : 35 °C

Requested data

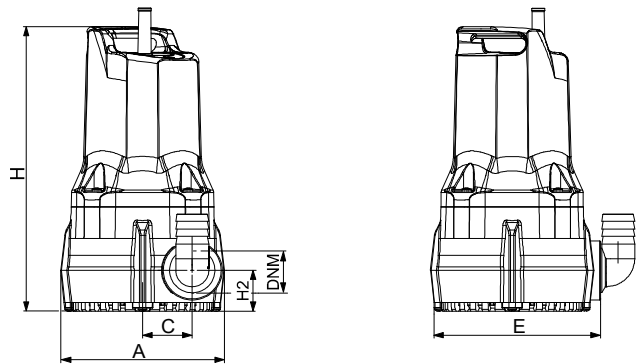
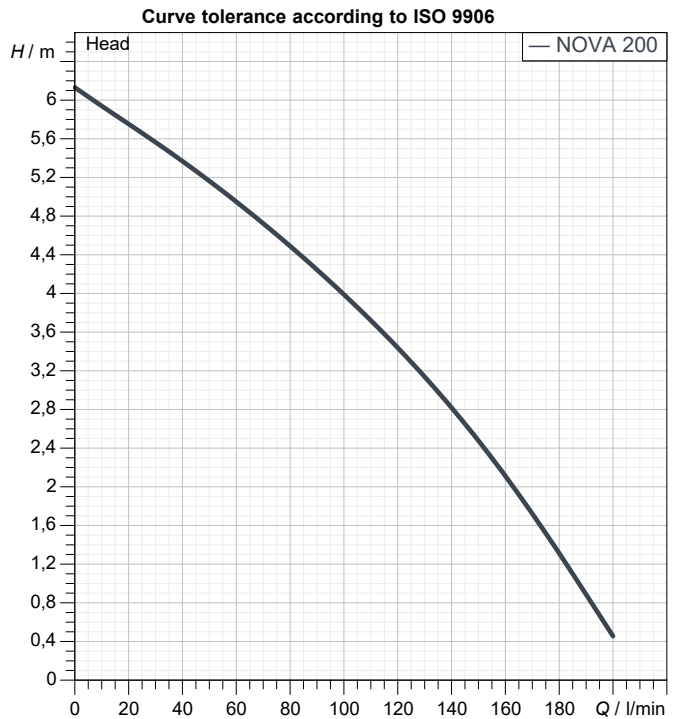
Flow :
Head :
Fluid : Water
Fluid Temperature : 20 °C
Density : 0,9983 kg/dm³
Kinematic viscosity : 1,005 mm²/s
Vapor pressure : 2,34 kPa

Hydraulic data (duty point)

Flow :
Head :

Materials

Pump body : Technopolymer
Impeller : Technopolymer
OR ring : NBR Rubber
Rotor shaft : Stainless Steel AISI 431
Suction strainer : Technopolymer
Motor top body : AISI 304 X5 Cr Ni 1810 UNI 6900/71



Motor data

Motor brand : DAB
Nominal power P2 : 0,22 kW
Rated voltage : 1~ 230 V 50 Hz
Nominal current : 1,5 A
Degree of protection : IP 68
Cable length m : 10

Weight : 4,6 kg

Dimensions in mm

A	151				
C	46				
DNM	1"1/4 G				
E	158				
H	268				
H2	38				

Pump connection

Suction side : /
Discharge side : 1" 1/4 G / --



PERFORMANCE CURVES

2020-05-21

Page 2 / 3

DAB PUMPS S.p.A.
Via Marco Polo, 14 - 35035 Mestrino (PD), Italy
Tel. +39 049 5125000 - Fax +39 049 5125950
www.dabpumps.com

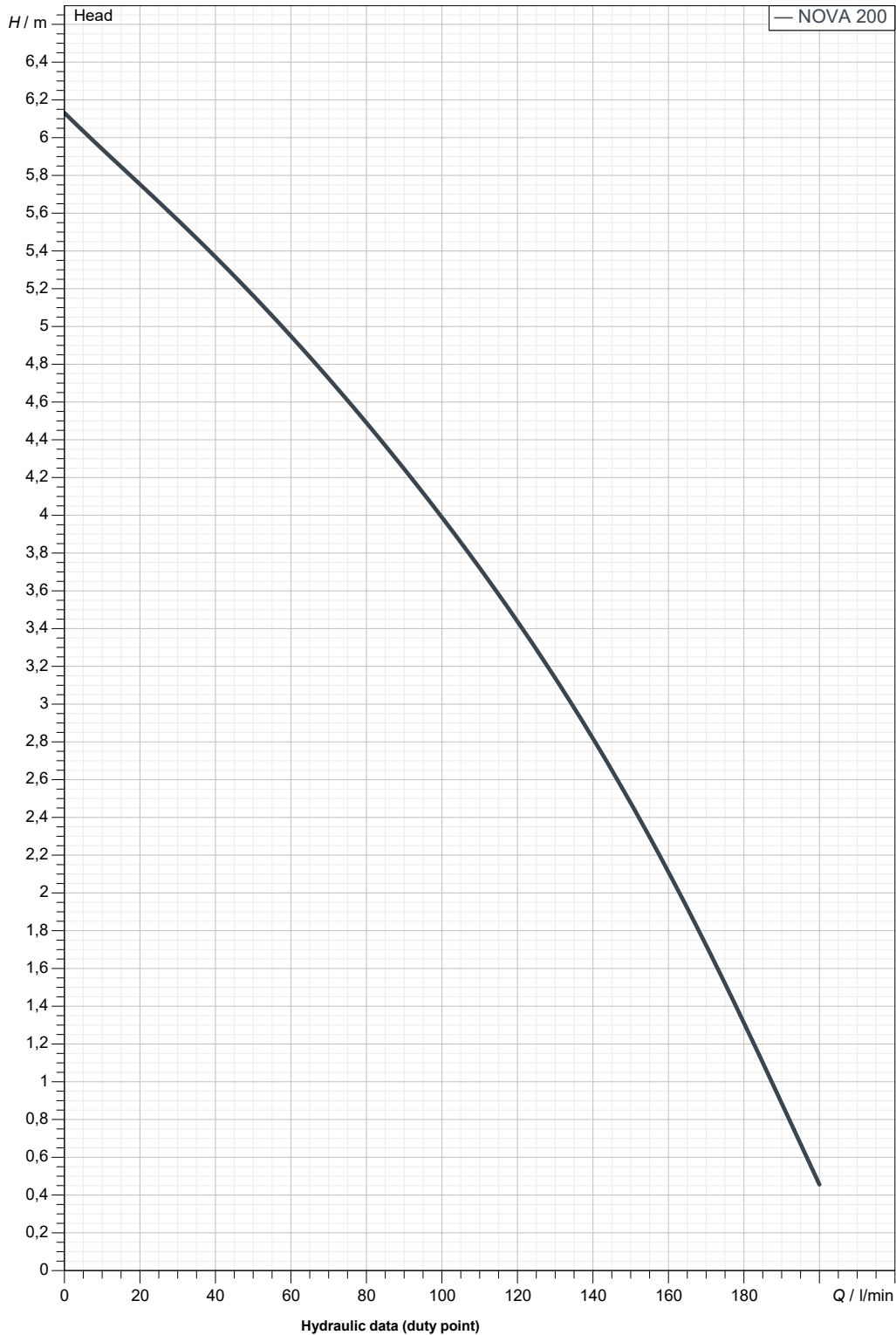
Receiver

From

Society
Reference
Address
Phone
Fax
E-mail

NOVA 200 M-NA 40th - 10m

Curve tolerance according to ISO 9906



Suction side :

Discharge side :

Flow :

Head :

Rated speed :

1" 1/4 G
--

2.900 1/min

MAIN_PROJECT_TITLE

BUSINESS_PROCESS_I

OWNER_

ISSUE_DATE

Progetto senza titolo 2020-05-21 03:01:44.18:

2020-05-21



DIMENSIONAL DRAWING

2020-05-21

Page 3 / 3

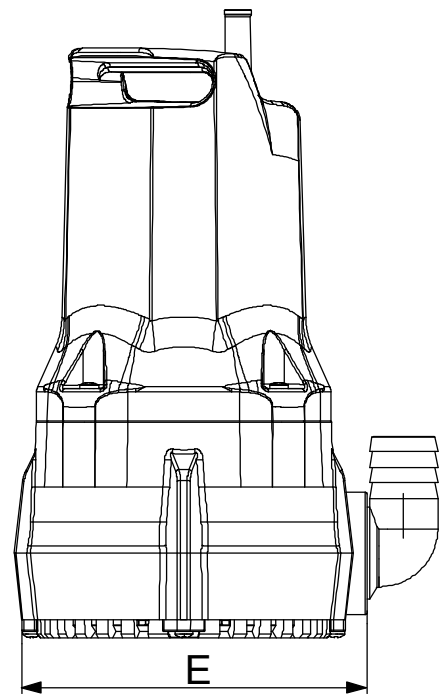
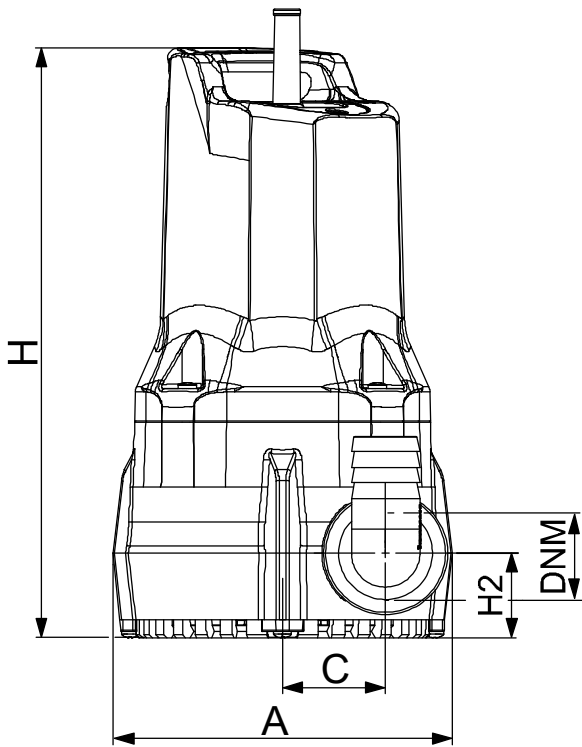
DAB PUMPS S.p.A.
Via Marco Polo, 14 - 35035 Mestrino (PD), Italy
Tel. +39 049 5125000 - Fax +39 049 5125950
www.dabpumps.com

Receiver

From

Society
Reference
Address
Phone
Fax
E-mail

NOVA 200 M-NA 40th - 10m



Dimensions in mm

Pump connection

1	A	151							
2	C	46							Suction
3	DNM	1"1/4 G							
4	E	158							Discharge
5	H	268							1" 1/4 G
6	H2	38							--
7									
8									
9									
10									
11									
12									

MAIN_PROJECT_TITLE

BUSINESS_PROCESS_II

OWNER_

ISSUE_DATE

Progetto senza titolo 2020-05-21 03:01:44.18:

2020-05-21