

**Receiver**

**From**

Society  
Reference  
Address  
Phone  
Fax  
E-mail

**Item n° :**

60195073

**Model :**

NOVA 180 M-A 40th - 5m

**Pump data**

Free passage : 5 mm  
Aspiration level minimum : 77 mm  
Max. immersion depth : 7 m  
Min. fluid temperature : 0 °C  
Max. fluid temperature : 35 °C

**Requested data**

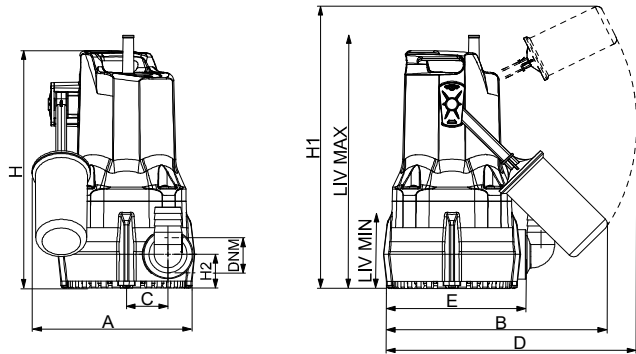
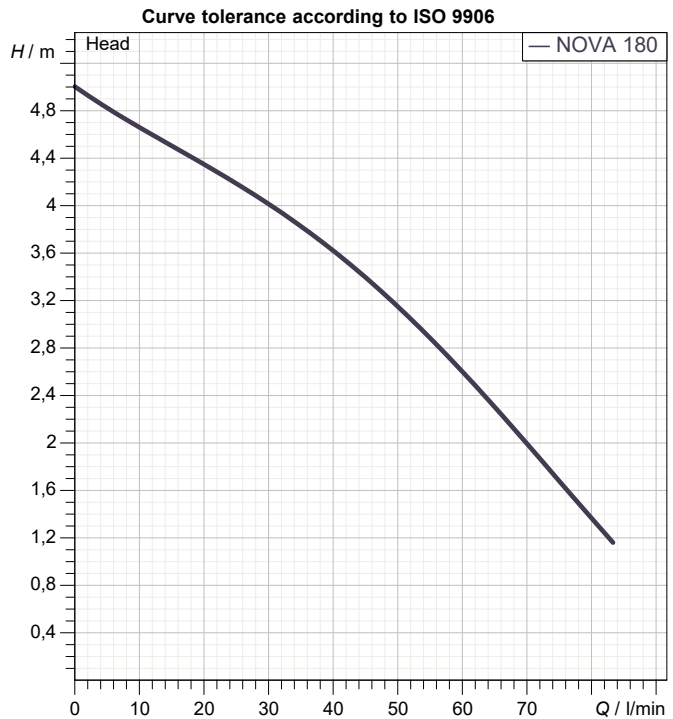
Flow :  
Head :  
Fluid : Water  
Fluid Temperature : 20 °C  
Density : 0,9983 kg/dm³  
Kinematic viscosity : 1,005 mm²/s  
Vapor pressure : 2,34 kPa

**Hydraulic data (duty point)**

Flow :  
Head :

**Materials**

Pump body : Technopolymer  
Impeller : Technopolymer  
OR ring : NBR Rubber  
Rotor shaft : Stainless Steel AISI 431  
Suction strainer : Technopolymer  
Motor top body : AISI 304 X5 Cr Ni 1810 UNI 6900/71  
Float : Technopolymer



**Motor data**

**Weight :** 4,6 kg

Motor brand : DAB  
Nominal power P2 : 0,2 kW  
Rated voltage : 1~ 230 V 50 Hz  
Nominal current : 0,9 A  
Degree of protection : IP 68  
Cable length m : 5

**Dimensions in mm**

A	180	H2	38		
B	247	LIV MAX	285		
C	46	LIV MIN	77		
D	296				
DNM	1"1/4 G				
E	158				
H	268				
H1	345				

**Pump connection**

Suction side : /  
Discharge side : 1" 1/4 G / --



# PERFORMANCE CURVES

2020-05-21

Page 2 / 3

DAB PUMPS S.p.A.  
Via Marco Polo, 14 - 35035 Mestrino (PD), Italy  
Tel. +39 049 5125000 - Fax +39 049 5125950  
www.dabpumps.com

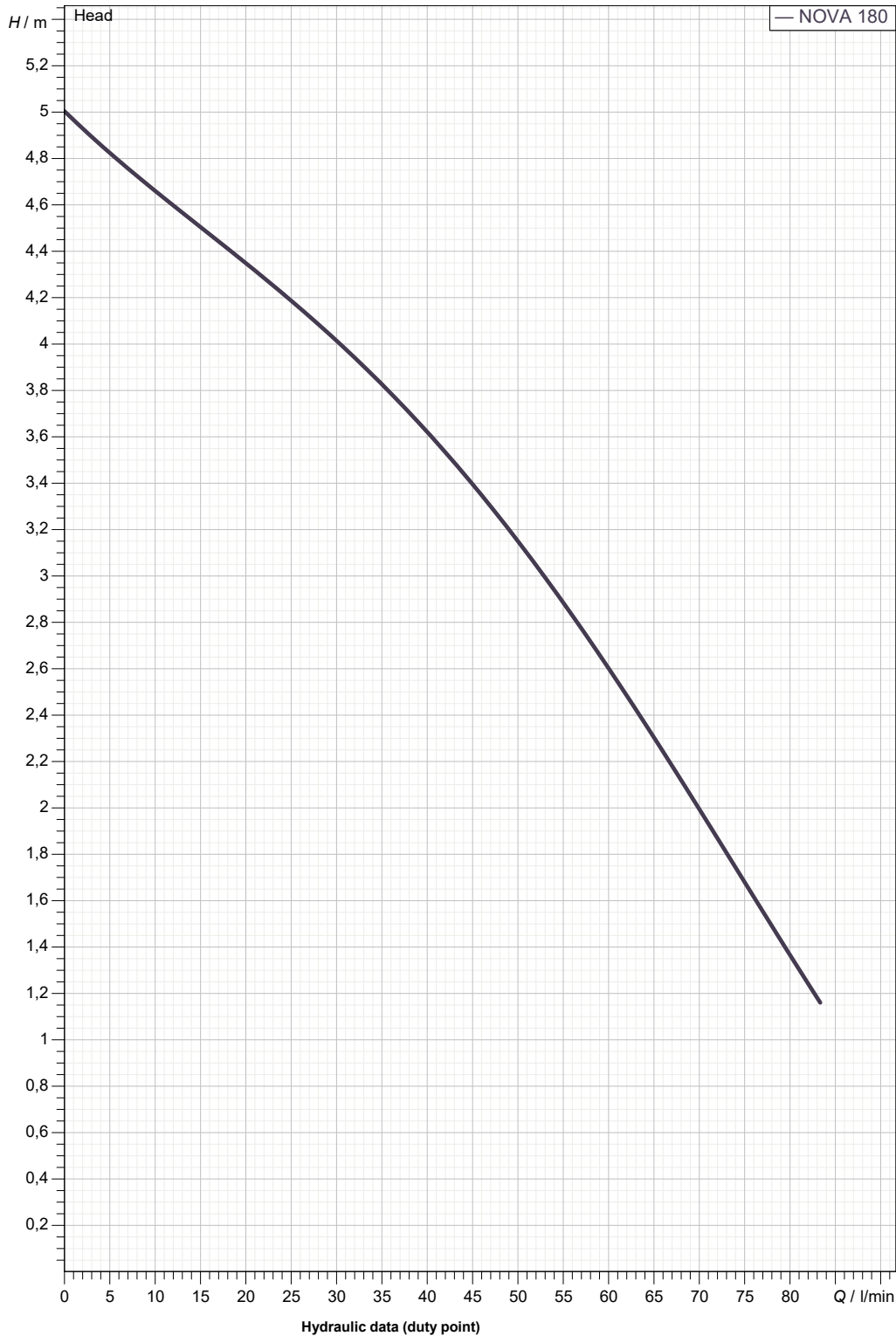
Receiver

From

Society  
Reference  
Address  
Phone  
Fax  
E-mail

## NOVA 180 M-A 40th - 5m

Curve tolerance according to ISO 9906



Suction side :

Discharge side :  
1" 1/4 G  
--

Flow :

Head :

Rated speed :  
2.900 1/min

MAIN\_PROJECT\_TITLE

BUSINESS\_PROCESS\_I

OWNER\_

ISSUE\_DATE

Progetto senza titolo 2020-05-21 03:01:44.18:

2020-05-21



# DIMENSIONAL DRAWING

2020-05-21

Page 3 / 3

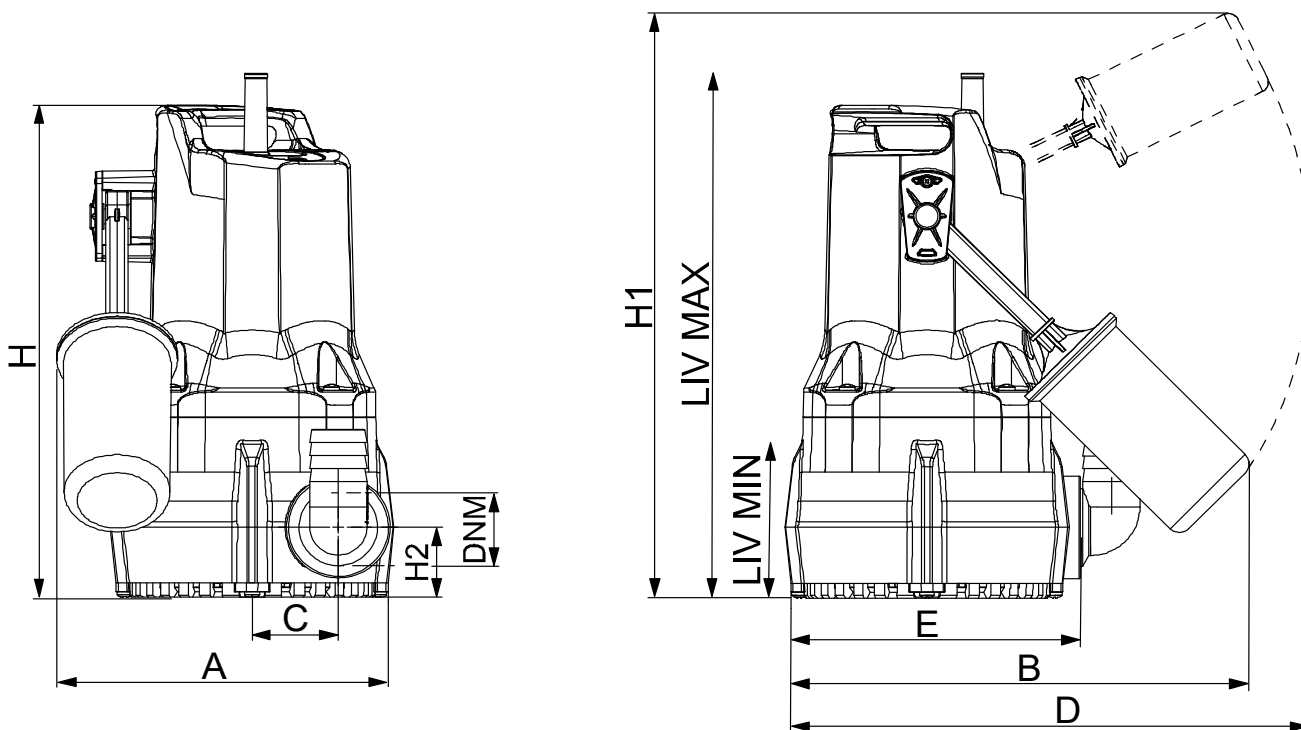
DAB PUMPS S.p.A.  
Via Marco Polo, 14 - 35035 Mestrino (PD), Italy  
Tel. +39 049 5125000 - Fax +39 049 5125950  
www.dabpumps.com

Receiver

From

Society  
Reference  
Address  
Phone  
Fax  
E-mail

## NOVA 180 M-A 40th - 5m



Dimensions in mm

Pump connection

1	A	180
2	B	247
3	C	46
4	D	296
5	DNM	1"1/4 G
6	E	158
7	H	268
8	H1	345
9	H2	38
10	LIV MAX	285
11	LIV MIN	77
12		

Suction

Discharge

1" 1/4 G

--

MAIN\_PROJECT\_TITLE

BUSINESS\_PROCESS\_I

OWNER\_

ISSUE\_DATE

Progetto senza titolo 2020-05-21 03:01:44.18:

2020-05-21