

Receiver

 Society
 Reference
 Address
 Phone
 Fax
 E-mail

From

 -
 -
 -

Item n° :

60179373

Model :

K 55/100 T IE3

Pump data
MEI ≥

 Pressure rating : 10 bar (1000 kPa)
 Min. fluid temperature : -10 °C
 Max. fluid temperature : 50 °C
 Max. Ambient temperature : 40 °C

Requested data

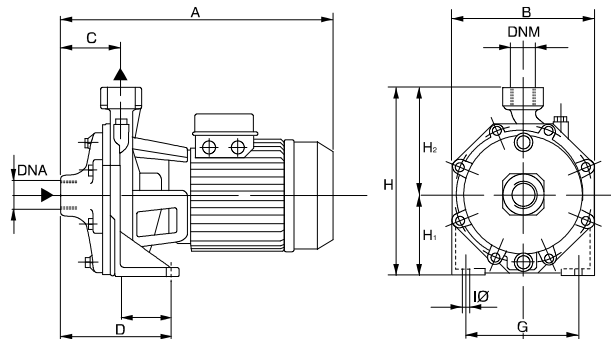
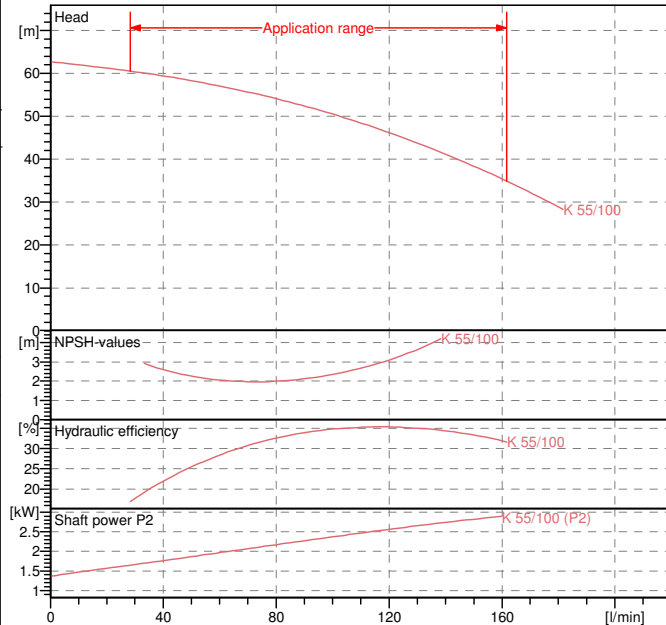
 Flow : 0.00 l/min
 Head : 0.00 m
 Fluid : Water
 Fluid Temperature : 20 °C
 Density : 62.315 lb/ft³
 Kinematic viscosity : 1.0769E-5 ft²/s
 Vapor pressure : 2.20 kPa

Hydraulic data (duty point)

 Flow :
 Head :
 NPSH :
 Shaft power P2 :
 Efficiency :

Materials

 Pump body : Cast iron 200 UNI ISO 185
 Support : Cast iron 200 UNI ISO 185
 Impeller : Technopolymer A
 Mechanical seal : Carbon/Ceramic
 OR ring : NBR Rubber
 Shaft with rotor : AISI 303 X10 CrNiS 1809 UNI 6900/71
 Intermediate cover : Cast iron 200 UNI ISO 185

Curve tolerance according to ISO 9906

Weight : 83.995 lb

Motor data

 Motor brand : DAB
 Nominal power P2 : 2.2 kW
 Rated speed : 2850 rpm
 Rated voltage : 3~ 230 V / 400 V 50 Hz
 Nominal current : 11.6 / 6.7 A
 Degree of protection : IP 55

Dimensions in mm

A	450
B	256
C	88
D	160
DNA	1"1/2 G
DNM	1" G
E	72
G	200
H	312.5
H1	140
H2	172.5
IØ	14

Pump connection

 Suction side : 1 " 1/2 G / 10 bar (1000 kPa)
 Discharge side : 1 " G / 10 bar (1000 kPa)



PERFORMANCE CURVES

2020-07-07

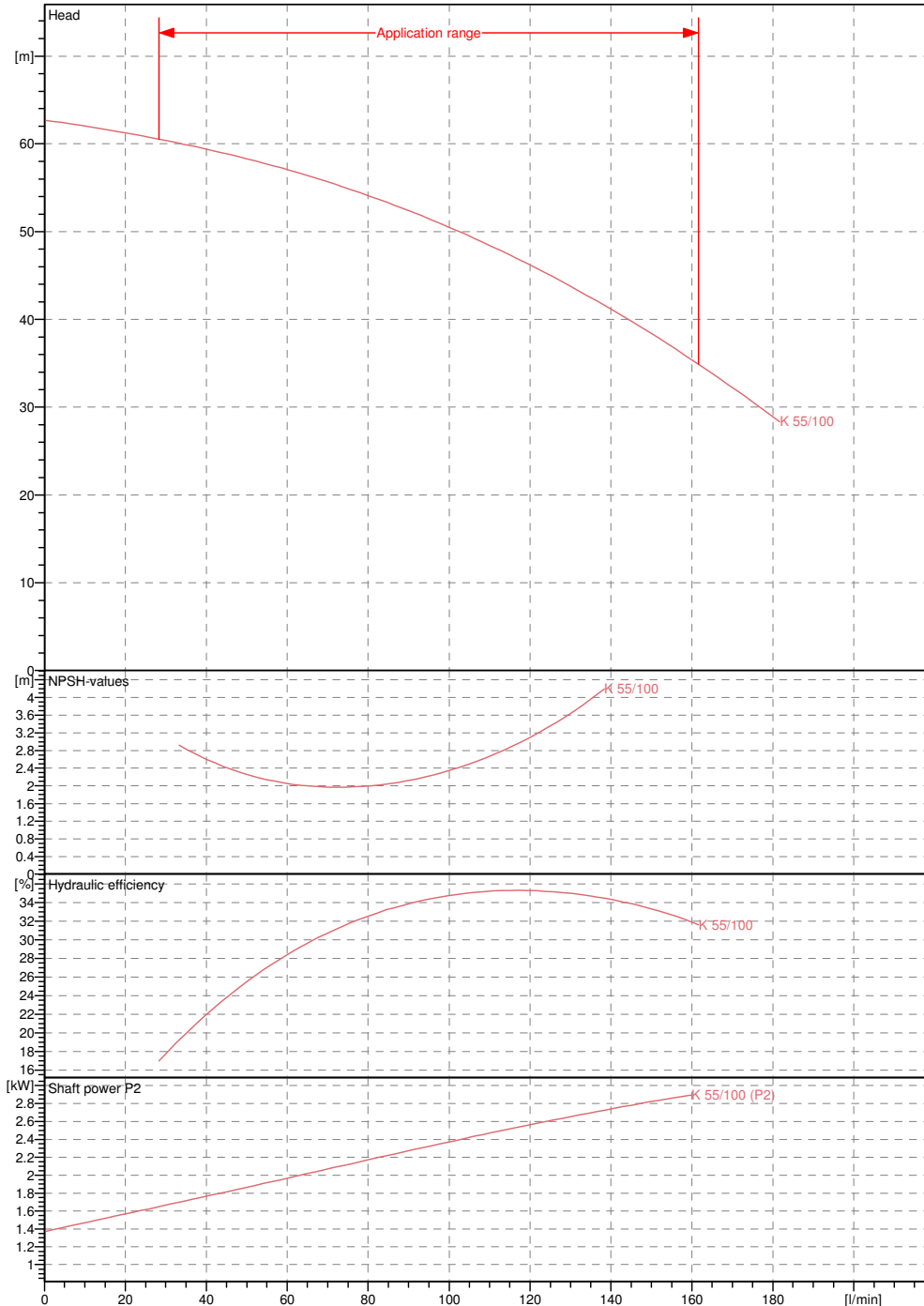
Page 4 / 8

DAB PUMPS S.p.A.
Via Marco Polo, 14 - 35035 Mestrino (PD), Italy
Tel. +39 049 5125000 - Fax +39 049 5125950
www.dabpumps.com

	Receiver	From
Society	-	-
Reference	-	-
Address	-	-
Phone		
Fax		
E-mail		

K 55/100 T IE3

Curve tolerance according to ISO 9906



Hydraulic data (duty point)

Suction side : 1 " 1/2 G 10 bar (1000 kPa)	Discharge side : 1 " G 10 bar (1000 kPa)	Flow : 0 l/min	Head : 0 m	Rated speed : 2850 rpm
Project	Project ID	Created by	Created on 2020-07-07	

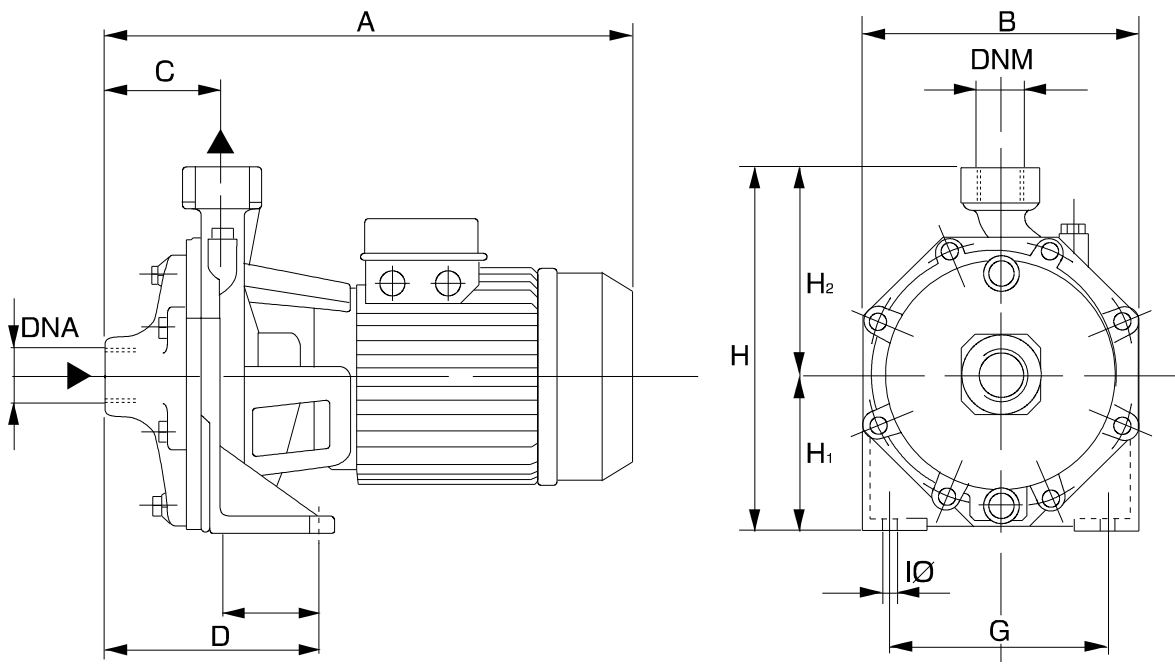
Receiver

From

Society
 Reference
 Address
 Phone
 Fax
 E-mail

-
 -
 -

K 55/100 T IE3



Dimensions in mm						Pump connection	
1	A	450	H2	172.5			Suction 1" 1/2 G 10 bar (1000 kPa) Discharge 1" G 10 bar (1000 kPa)
2	B	256	Ø	14			
3	C	88					
4	D	160					
5	DNA	1"1/2 G					
6	DNM	1" G					
7	E	72					
8	G	200					
9	H	312.5					
10	H1	140					
Project			Project ID		Created by		Created on
							2020-07-07

Receiver

 Society
 Reference
 Address
 Phone
 Fax
 E-mail

From

 -
 -
 -

Item n° :

60179857

Model :

K 66/100 T IE3

Pump data
MEI ≥

 Pressure rating : 10 bar (1000 kPa)
 Min. fluid temperature : -15 °C
 Max. fluid temperature : 110 °C
 Max. Ambient temperature : 40 °C

Requested data

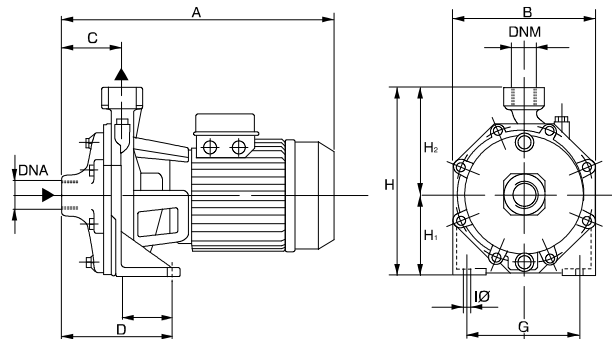
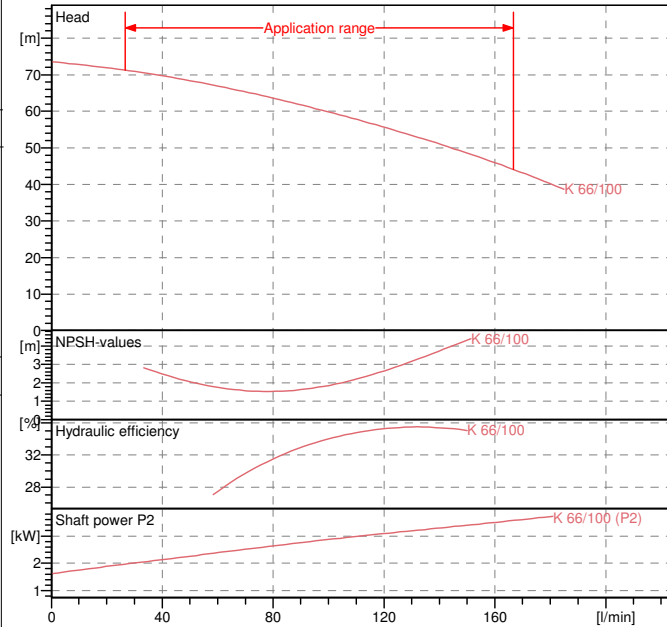
 Flow : 0.00 l/min
 Head : 0.00 m
 Fluid : Water
 Fluid Temperature : 20 °C
 Density : 62.315 lb/ft³
 Kinematic viscosity : 1.0769E-5 ft²/s
 Vapor pressure : 2.20 kPa

Hydraulic data (duty point)

 Flow :
 Head :
 NPSH :
 Shaft power P2 :
 Efficiency :

Materials

 Pump body : Cast iron 200 UNI ISO 185
 Support : Cast iron 200 UNI ISO 185
 Impeller : Technopolymer B
 Mechanical seal : Carbon/Ceramic
 OR ring : Guarnital
 Shaft with rotor : AISI 303 X10 CrNiS 1809 UNI 6900/71
 Intermediate cover : Cast iron 200 UNI ISO 185

Curve tolerance according to ISO 9906

Weight : 89.727 lb

Motor data

 Motor brand : DAB
 Nominal power P2 : 3 kW
 Rated speed : 2850 rpm
 Rated voltage : 3~ 230 V / 400 V 50 Hz
 Nominal current : 14.6 / 8.4 A
 Degree of protection : IP 55

Dimensions in mm

A	450	IØ	14
B	256		
C	88		
D	160		
DNA	1"1/2 G		
DNM	1" G		
E	72		
F	18		
G	200		
H	312.5		
H1	140		
H2	172.5		

Pump connection

 Suction side : 1 " 1/2 G / 10 bar (1000 kPa)
 Discharge side : 1 " G / 10 bar (1000 kPa)



PERFORMANCE CURVES

2020-07-07

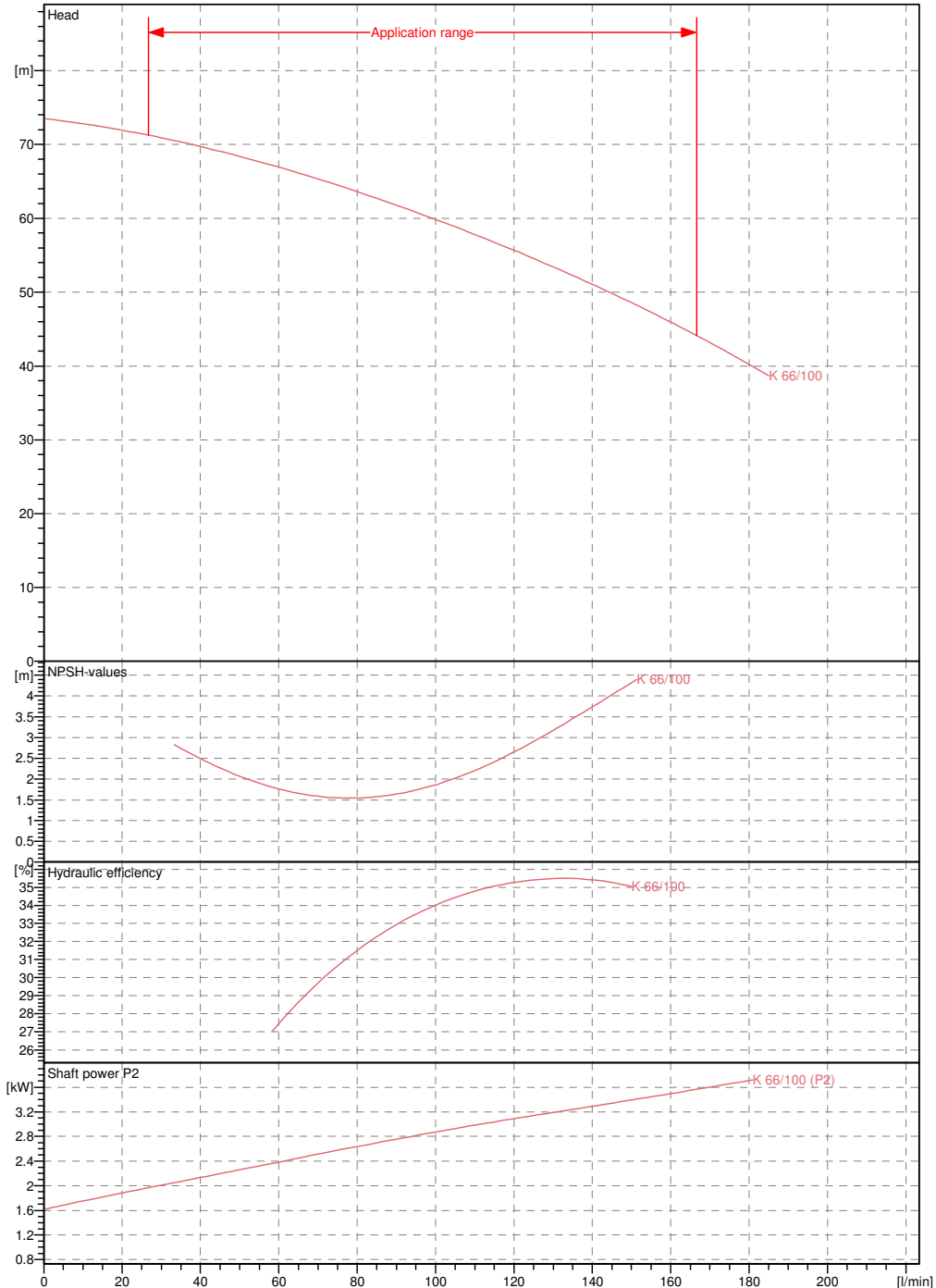
Page 7 / 8

DAB PUMPS S.p.A.
Via Marco Polo, 14 - 35035 Mestrino (PD), Italy
Tel. +39 049 5125000 - Fax +39 049 5125950
www.dabpumps.com

	Receiver	From
Society	-	-
Reference	-	-
Address	-	-
Phone		
Fax		
E-mail		

K 66/100 T IE3

Curve tolerance according to ISO 9906



Hydraulic data (duty point)

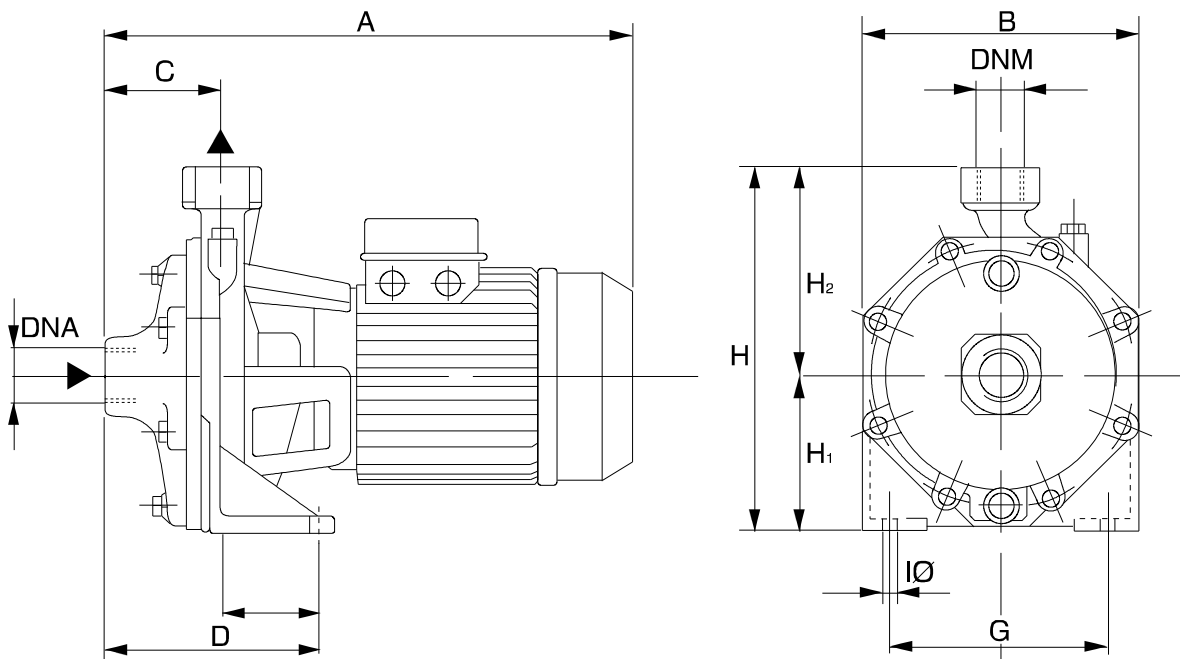
Suction side : 1 " 1/2 G 10 bar (1000 kPa)	Discharge side : 1 " G 10 bar (1000 kPa)	Flow : 0 l/min	Head : 0 m	Rated speed : 2850 rpm
Project	Project ID	Created by	Created on 2020-07-07	

Receiver

From

Society
 Reference
 Address
 Phone
 Fax
 E-mail

K 66/100 T IE3


Dimensions in mm

1	A	450	H1	140		
2	B	256	H2	172.5		
3	C	88	Ø	14		
4	D	160				
5	DNA	1 1/2 G				
6	DNM	1" G				
7	E	72				
8	F	18				
9	G	200				
10	H	312.5				

Pump connection

Suction
 1 " 1/2 G
 10 bar (1000 kPa)

Discharge
 1 " G
 10 bar (1000 kPa)

Project

Project ID

Created by

Created on

2020-07-07