

**Receiver**

 Society  
 Reference  
 Address  
 Phone  
 Fax  
 E-mail

**From**

 -  
 -  
 -

**Item n° :**

102110162

**Model :**

K 36/100 M

**Pump data**

 MEI  $\geq$  0,70

Pressure rating : 6 bar (600 kPa)

Min. fluid temperature : -10 °C

Max. fluid temperature : 50 °C

Max. Ambient temperature : 40 °C

**Requested data**

Flow : 0.00 l/min

Head : 0.00 m

Fluid : Water

Fluid Temperature : 20 °C

 Density : 62.315 lb/ft<sup>3</sup>

 Kinematic viscosity : 1.0769E-5 ft<sup>2</sup>/s

Vapor pressure : 2.20 kPa

**Hydraulic data (duty point)**

Flow :

Head :

NPSH :

Shaft power P2 :

Efficiency :

**Materials**

Pump body Cast iron 200 UNI ISO 185

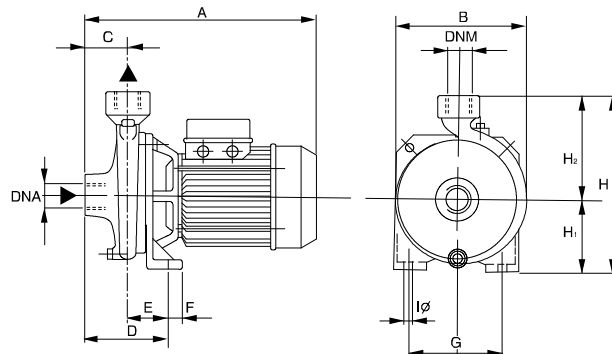
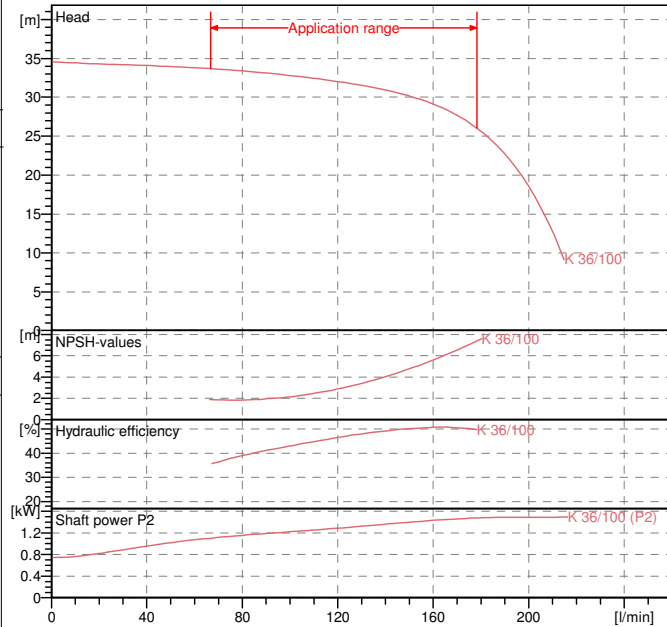
Support Cast iron 200 UNI ISO 185

Impeller Technopolymer A

Mechanical seal Carbon/Ceramic

OR ring NBR Rubber

Shaft with rotor AISI 303 X10 CrNiS 1809 UNI 6900/71

**Curve tolerance according to ISO 9906**

**Weight :** 51.367 lb

**Motor data**

Motor brand : DAB

Nominal power P2 : 1.85 kW

Rated speed : 2850 rpm

Rated voltage : 1~ 220-240 V 50 Hz

Nominal current : 8.8 A

Degree of protection : IP 44

**Dimensions in mm**

A	333	IØ	9
B	200		
C	50		
D	114		
DNA	1" 1/2 G		
DNM	1" G		
E	64		
F	15		
G	140		
H	255		
H <sub>1</sub>	105		
H <sub>2</sub>	150		

**Pump connection**

Suction side : 1" 1/2 G / 6 bar (600 kPa)

Discharge side : 1" G / 6 bar (600 kPa)



# PERFORMANCE CURVES

2020-07-13

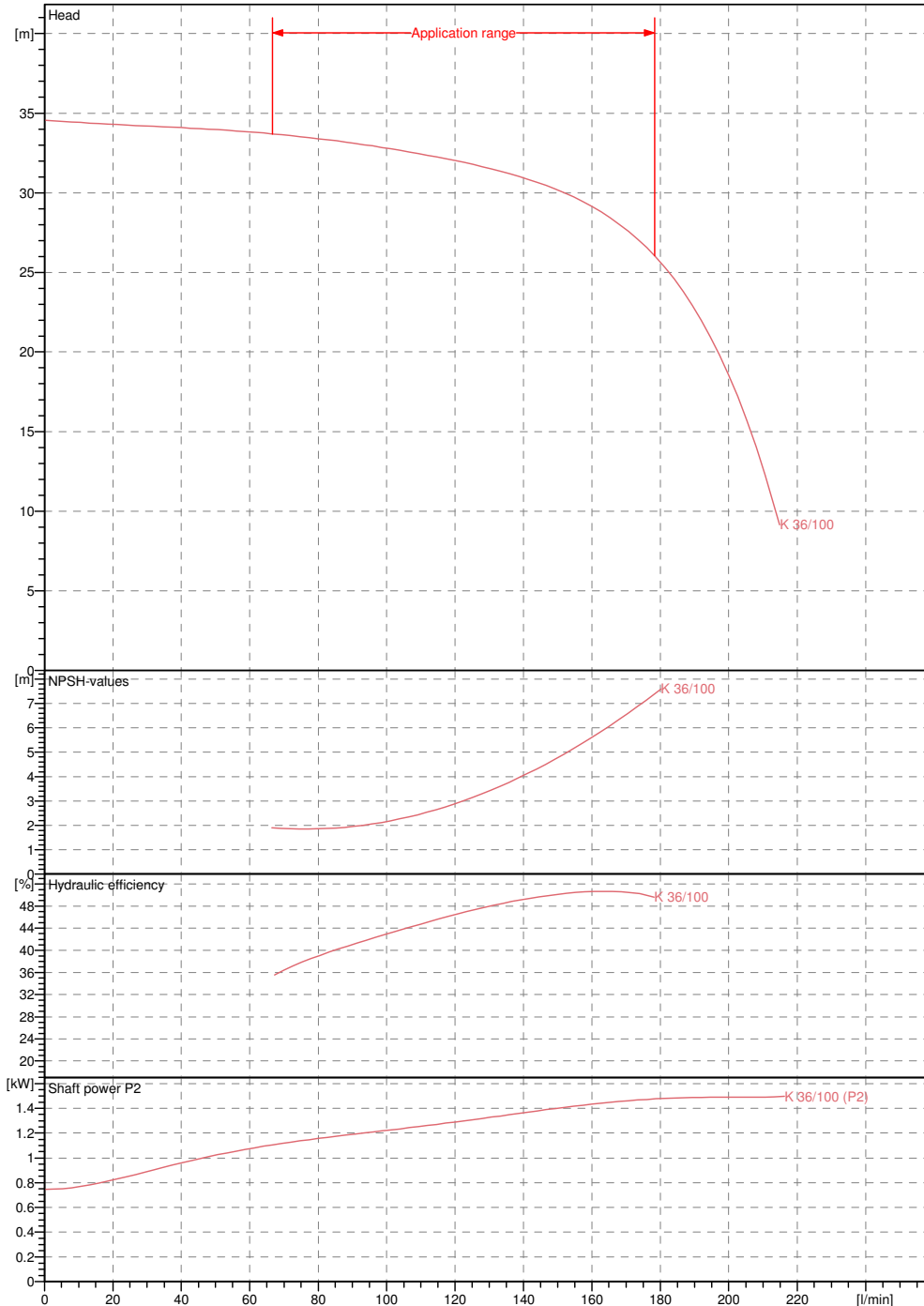
Page 4 / 5

DAB PUMPS S.p.A.  
Via Marco Polo, 14 - 35035 Mestrino (PD), Italy  
Tel. +39 049 5125000 - Fax +39 049 5125950  
www.dabpumps.com

	<b>Receiver</b>	<b>From</b>
Society		-
Reference		-
Address		-
Phone		
Fax		
E-mail		

## K 36/100 M

Curve tolerance according to ISO 9906



Hydraulic data (duty point)

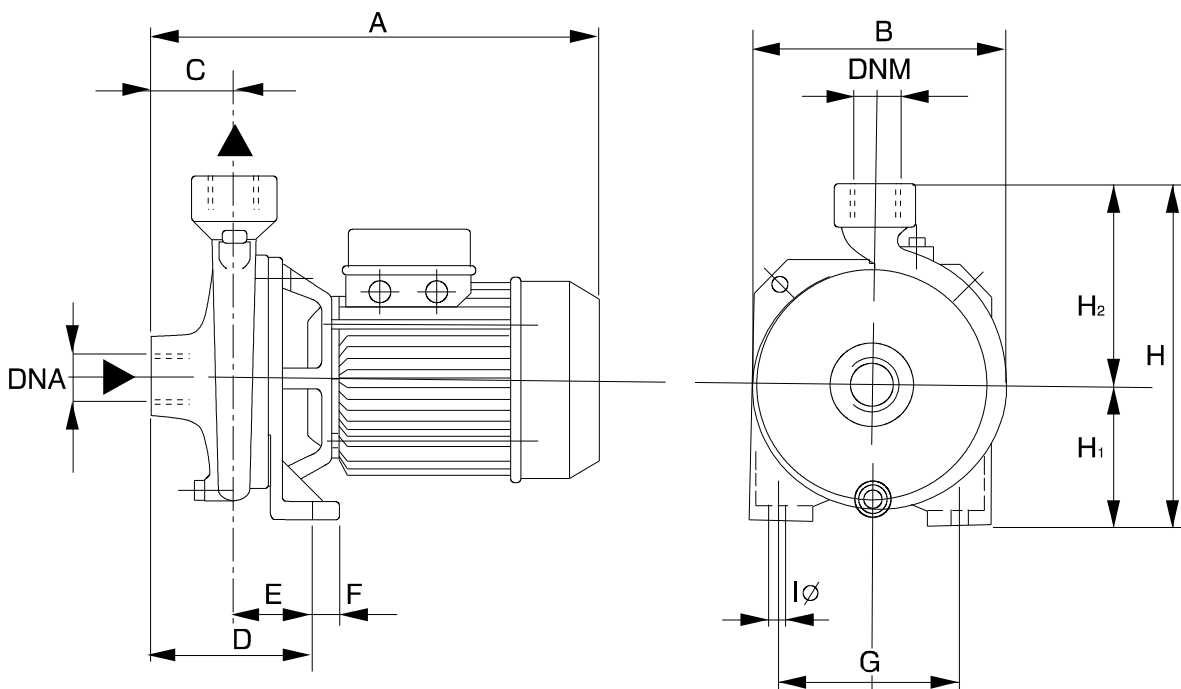
Suction side : 1 " 1/2 G 6 bar (600 kPa)	Discharge side : 1 " G 6 bar (600 kPa)	Flow : 0 l/min	Head : 0 m	Rated speed : 2850 rpm
Project	Project ID	Created by	Created on <b>2020-07-13</b>	

Receiver

From

Society  
 Reference  
 Address  
 Phone  
 Fax  
 E-mail

## K 36/100 M


**Dimensions in mm**

1	A	333	H <sub>1</sub>	105		
2	B	200	H <sub>2</sub>	150		
3	C	50	I $\varnothing$	9		
4	D	114				
5	DNA	1" 1/2 G				
6	DNM	1" G				
7	E	64				
8	F	15				
9	G	140				
10	H	255				

**Pump connection**

Suction  
 1" 1/2 G  
 6 bar (600 kPa)

Discharge  
 1" G  
 6 bar (600 kPa)

Project

Project ID

Created by

Created on

2020-07-13