

Receiver

 Society
 Reference
 Address
 Phone
 Fax
 E-mail

From

 -
 -
 -

Item n° :

60168884

Model :

K 12/200 T IE2

Pump data

 MEI \geq 0,70

Pressure rating : 6 bar (600 kPa)

Min. fluid temperature : -10 °C

Max. fluid temperature : 50 °C

Max. Ambient temperature : 40 °C

Requested data

Flow : 0.00 l/min

Head : 0.00 m

Fluid : Water

Fluid Temperature : 20 °C

 Density : 62.315 lb/ft³

 Kinematic viscosity : 1.0769E-5 ft²/s

Vapor pressure : 2.20 kPa

Hydraulic data (duty point)

Flow :

Head :

NPSH :

Shaft power P2 :

Efficiency :

Materials

Pump body Cast iron 200 UNI ISO 185

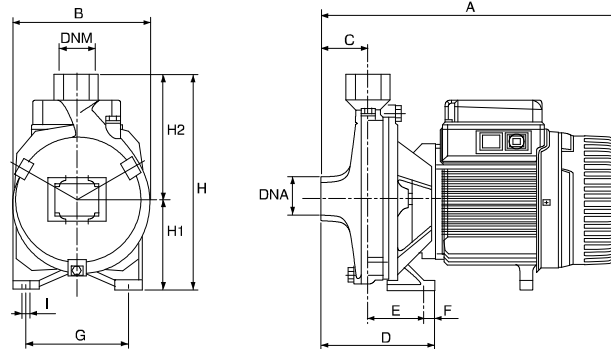
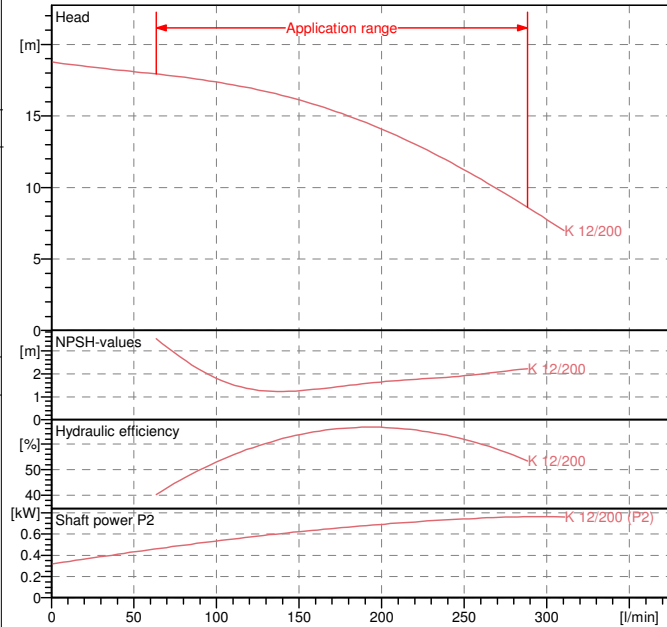
Support Cast iron 200 UNI ISO 185

Impeller Technopolymer A

Mechanical seal Carbon/Ceramic

OR ring NBR Rubber

Shaft with rotor AISI 416 X12 CrS 13 UNI 6900/71

Curve tolerance according to ISO 9906

Weight : 30.203 lb

Motor data

Motor brand : DAB

Nominal power P2 : 0.75 kW

Rated speed : 2940 rpm

Rated voltage : 3~ 230 V / 400 V 50 Hz

Nominal current : 4 / 2.3 A

Degree of protection : IP 44

Dimensions in mm

A	325	I	9.5
B	173		
C	45		
D	118		
DNA	1"1/2 G-M		
DNM	1"1/2 G-M		
E	58		
F	15		
G	110		
H	218		
H1	85		
H2	125		

Pump connection

Suction side : 1 " 1/2 G-M 6 bar (600 kPa)

Discharge side : 1 " 1/2 G-M 6 bar (600 kPa)



WATER • TECHNOLOGY

PERFORMANCE CURVES

13-07-2020

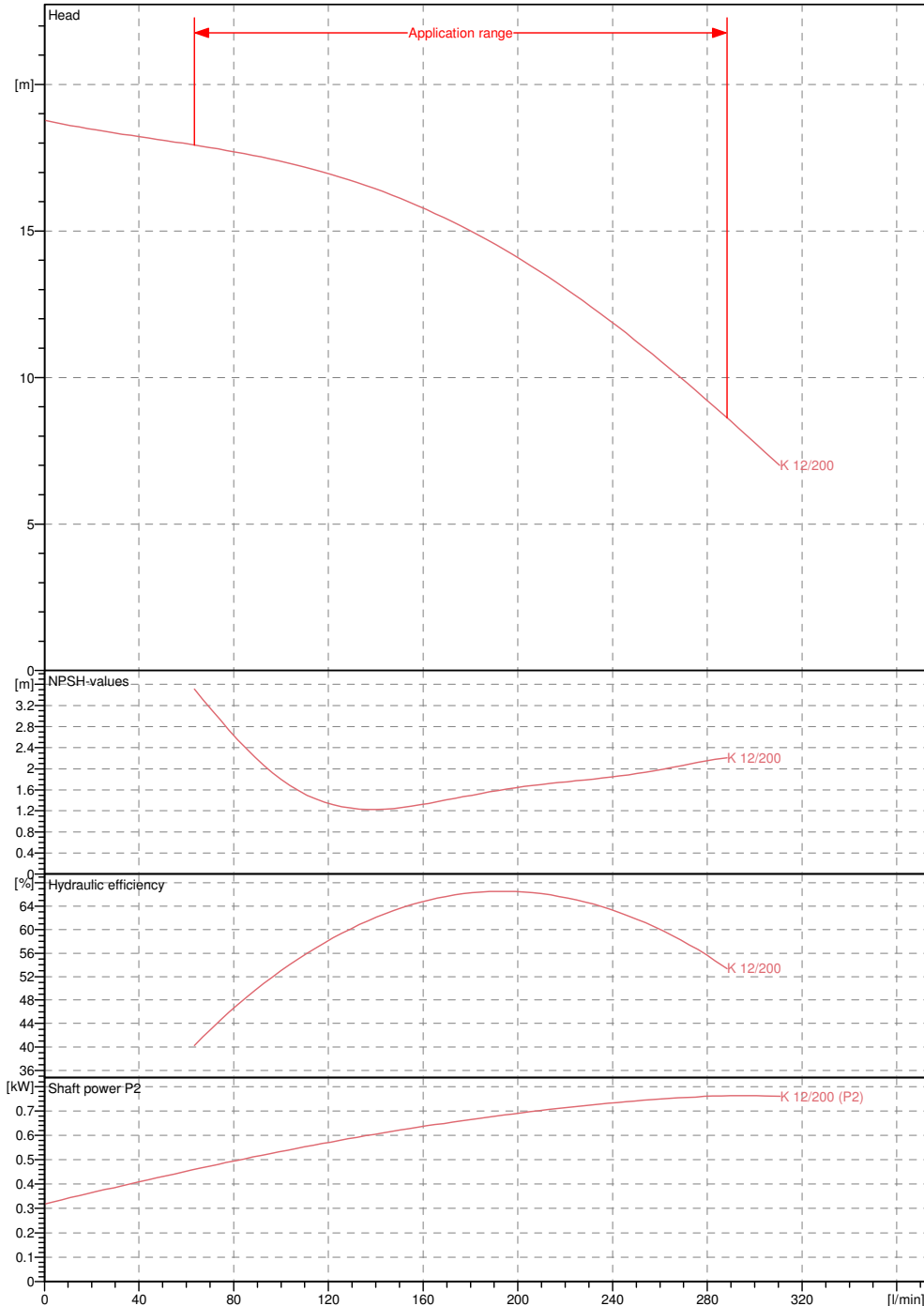
Page 4 / 5

DAB PUMPS S.p.A.
Via Marco Polo, 14 - 35035 Mestrino (PD), Italy
Tel. +39 049 5125000 - Fax +39 049 5125950
www.dabpumps.com

	Receiver	From
Society	-	-
Reference	-	-
Address	-	-
Phone	-	-
Fax	-	-
E-mail	-	-

K 12/200 T IE2

Curve tolerance according to ISO 9906



Hydraulic data (duty point)

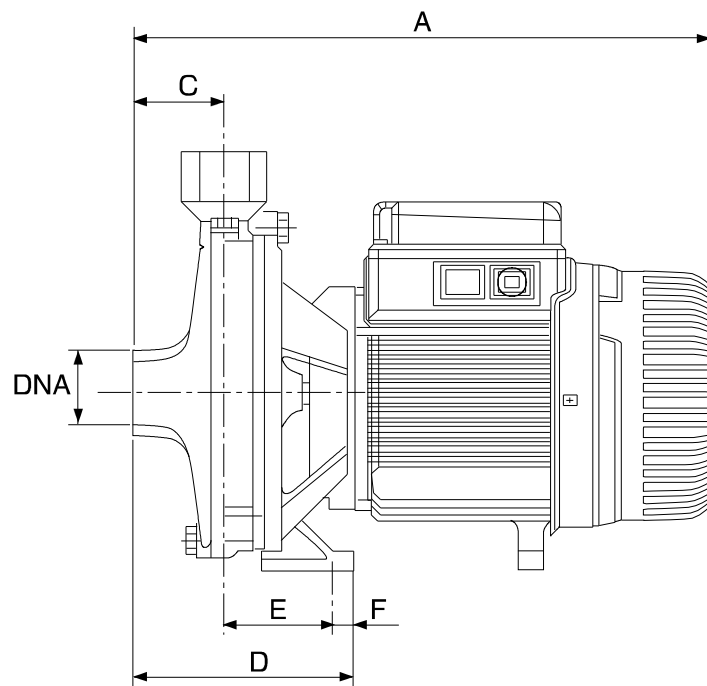
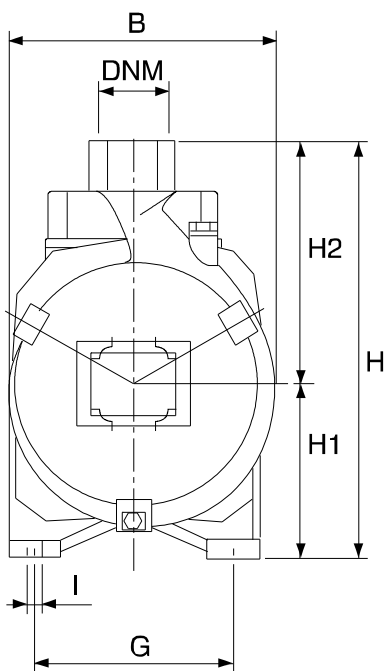
Suction side : 1 " 1/2 G-M 6 bar (600 kPa)	Discharge side : 1 " 1/2 G-M 6 bar (600 kPa)	Flow : 0 l/min	Head : 0 m	Rated speed : 2940 rpm
Project	Project ID	Created by	Created on 13-07-2020	

Receiver

From

Society
 Reference
 Address
 Phone
 Fax
 E-mail

K 12/200 T IE2


Dimensions in mm

1	A	325	H1	85		
2	B	173	H2	125		
3	C	45	I	9.5		
4	D	118				
5	DNA	1"1/2 G-M				
6	DNM	1"1/2 G-M				
7	E	58				
8	F	15				
9	G	110				
10	H	218				

Pump connection

Suction
 1" 1/2 G-M
 6 bar (600 kPa)

Discharge
 1" 1/2 G-M
 6 bar (600 kPa)

Project

Project ID

Created by

Created on

13-07-2020