

**Receiver**

 Society  
 Reference  
 Address  
 Phone  
 Fax  
 E-mail

**From**

 White International Pty Ltd  
 52-60 Ashford Avenue, Milperra, NSW, 2214  
 -  
 -  
 pumpsales@whiteint.com.au

**Item n° :**

102640020

**Model :**

JETINOX 82 M

**Pump data**

 Pressure rating : 8 bar (800 kPa)  
 Min. fluid temperature : 0 °C  
 Max. fluid temperature : 35 °C  
 Max. Temperature operating : 40 °C

**Priming capacity :**

H	m	2	3	4	5	6	7	8	9
Q	m³/h	3.06	2.82	2.46	2.28	2.04	1.68	1.38	1.08

**Requested data**

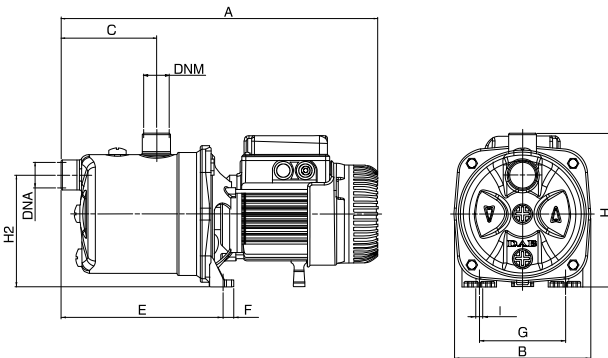
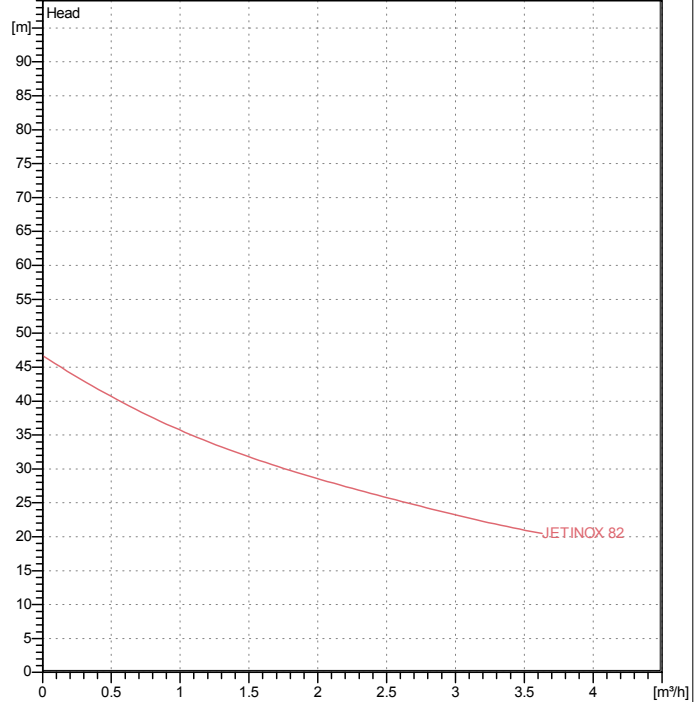
 Flow : 0.00 m³/h  
 Head : 0.00 m  
 Fluid : Water, pure  
 Fluid Temperature : 20 °C  
 Density : 0.9983 kg/dm³  
 Kinematic viscosity : 1.005 mm²/s  
 Vapor pressure : 2.34 kPa

**Hydraulic data (duty point)**

 Flow :  
 Head :

**Materials**

Pump body	AISI 304 X5 Cr Ni 1810 UNI 6900/71
Impeller	Technopoly mer A
Shaft with rotor	AISI 303 X10 CrNiS 1809 UNI 6900/71
OR ring	NBR Rubber
Diffuser	Technopoly mer A
Mechanical seal	Carbon/Ceramic
Disc seal	AISI 304 X5 Cr Ni 1810 UNI 6900/71

**Curve tolerance according to ISO 9906**

**Motor data**

 Motor brand : DAB  
 Nominal power P2: 0.6 kW  
 Rated speed: 2750 1/min  
 Rated voltage : 1~ 230 V 50 Hz  
 Nominal current : 3.8 A  
 Degree of protection : IP 44

**Dimensions in**
**mm**

A	406	DNM	1"G	H	197		
B	174	E	207	H2	144		
C	122	F	14	I	9		
DNA	1"G	G	111				

**Weight :** 8.25 kg

**Pump connection**

 Suction side 1 " G / 8 bar (800 kPa)  
 Discharge side 1 " G / 8 bar (800 kPa)



# PERFORMANCE CURVES

2014-06-04

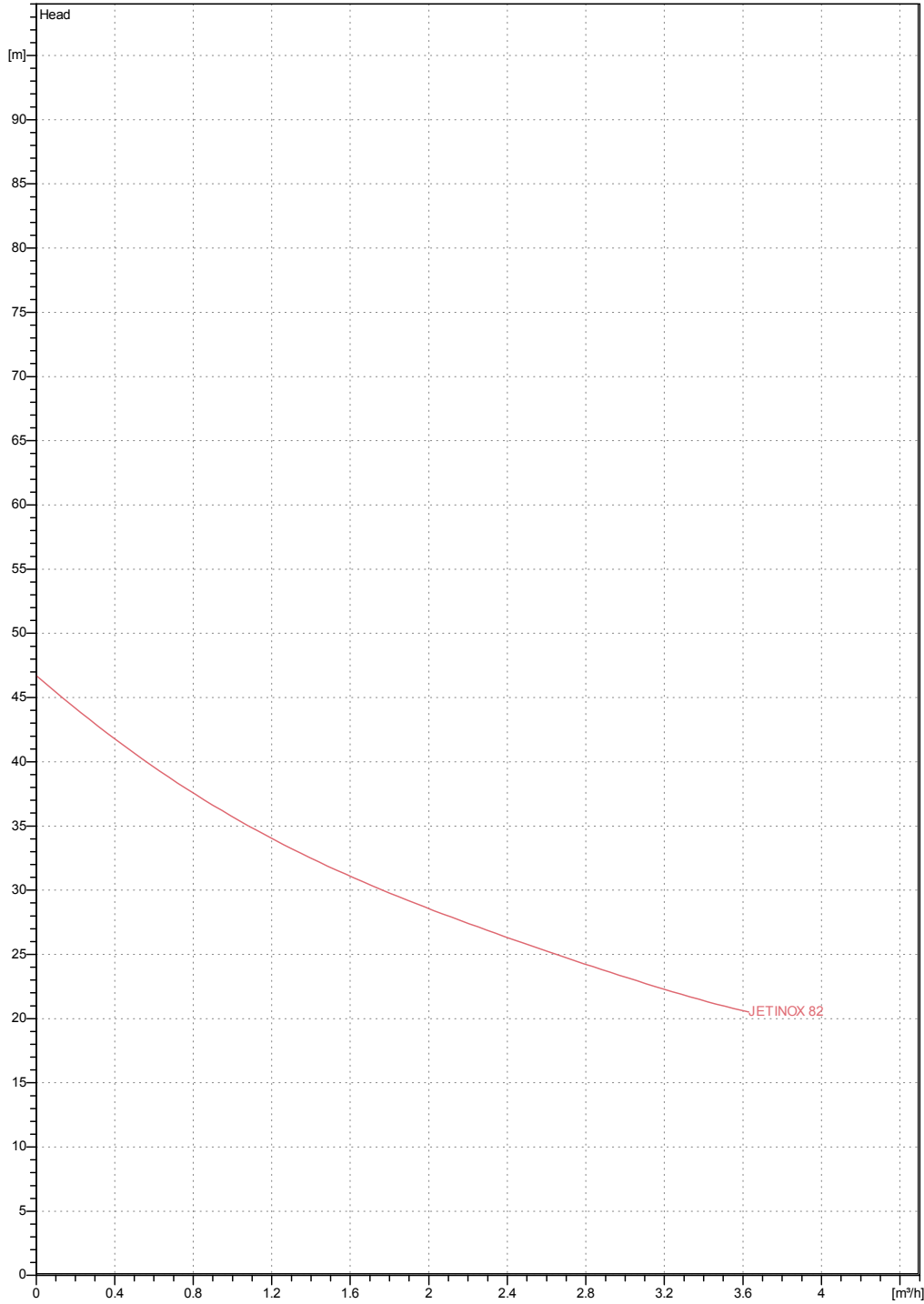
Page 2 / 3

DAB PUMPS S.p.A.  
Via Marco Polo, 14 - 35035 Mestrino (PD), Italy  
Tel. +39 049 5125000 - Fax +39 049 5125950  
www.dabpumps.com

Society Reference Address Phone Fax E-mail	<b>Receiver</b>	<b>From</b>
		White International Pty Ltd . 52-60 Ashford Avenue, Milperra, NSW, 2214 - - pumpsales@whiteint.com.au

## JETINOX 82 M

Curve tolerance according to ISO 9906



Hydraulic data (duty point)

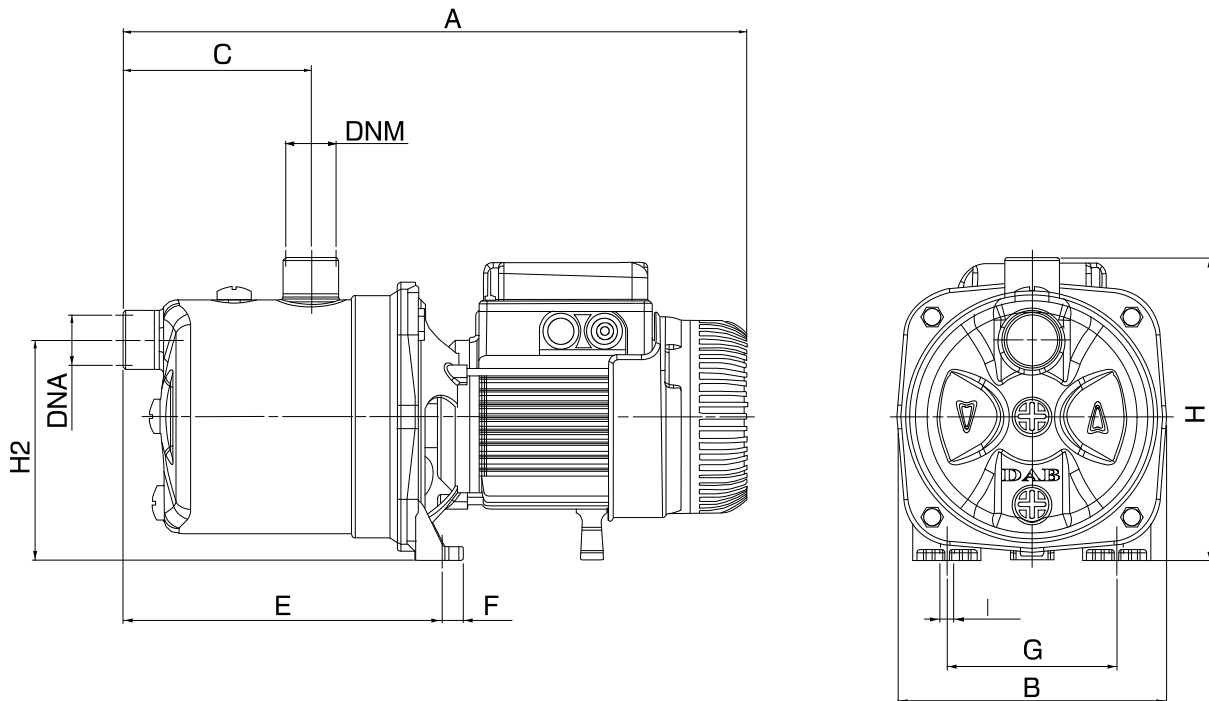
Suction side 1 " G 8 bar (800 kPa)	Discharge side 1 " G 8 bar (800 kPa)	Flow : 0 m³/h	Head : 0 m	Rated speed: 2750 1/min
Project	Project ID	Created by	Created on <b>2014-06-04</b>	

**Receiver**
**From**

 Society  
 Reference  
 Address  
 Phone  
 Fax  
 E-mail

 White International Pty Ltd  
 .  
 52-60 Ashford Avenue, Milperra, NSW, 2214  
 -  
 -  
 pumpsales@whiteint.com.au

## JETINOX 82 M


**Dimensions in mm**

1	A	406	I	9		
2	B	174				
3	C	122				
4	DNA	1"G				
5	DNM	1"G				
6	E	207				
7	F	14				
8	G	111				
9	H	197				
10	H2	144				

**Pump connection**

Suction  
 1 " G  
 8 bar (800 kPa)

Discharge  
 1 " G  
 8 bar (800 kPa)

Project

Project ID

Created by

Created on

**2014-06-04**