

Receiver

 Society
 Reference
 Address
 Phone
 Fax
 E-mail

From

 White International Pty Ltd
 52-60 Ashford Avenue, Milperra, NSW, 2214
 -
 -
 pumpsales@whiteint.com.au

Item n° :

102640100

Model :

JETINOX 132 M

Pump data

 Pressure rating : 8 bar (800 kPa)
 Min. fluid temperature : 0 °C
 Max. fluid temperature : 35 °C
 Max. Temperature operating : 40 °C

Priming capacity :

| H m | 2 | 3 | 4 | 5 | 6 | 7 | 8 | 9 |
|--------|------|------|------|------|------|------|------|------|
| Q m³/h | 3.06 | 2.82 | 2.46 | 2.28 | 2.04 | 1.68 | 1.38 | 1.08 |

Requested data

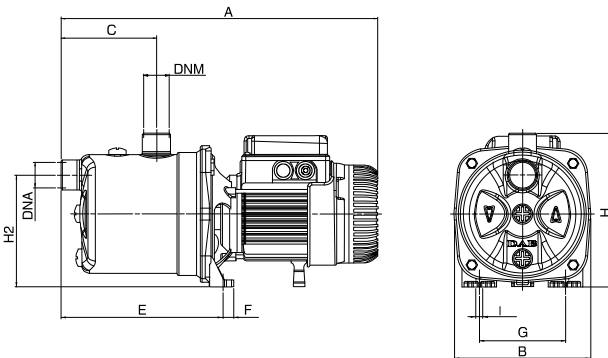
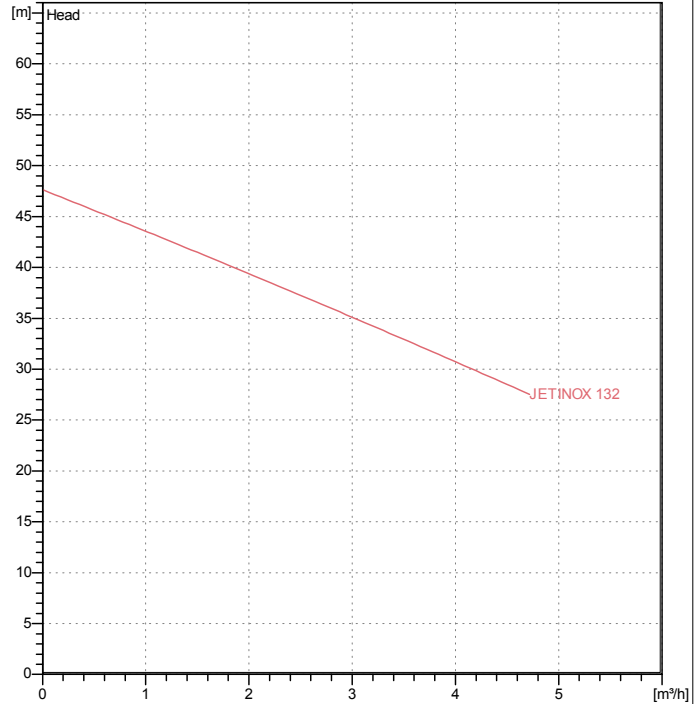
 Flow : 0.00 m³/h
 Head : 0.00 m
 Fluid : Water, pure
 Fluid Temperature : 20 °C
 Density : 0.9983 kg/dm³
 Kinematic viscosity : 1.005 mm²/s
 Vapor pressure : 2.34 kPa

Hydraulic data (duty point)

 Flow :
 Head :

Materials

| | |
|------------------|-------------------------------------|
| Pump body | AISI 304 X5 Cr Ni 1810 UNI 6900/71 |
| Impeller | Technopoly mer A |
| Shaft with rotor | AISI 303 X10 CrNiS 1809 UNI 6900/71 |
| OR ring | NBR Rubber |
| Diffuser | Technopoly mer A |
| Mechanical seal | Carbon/Ceramic |
| Disc seal | AISI 304 X5 Cr Ni 1810 UNI 6900/71 |

Curve tolerance according to ISO 9906

Motor data

 Motor brand : DAB
 Nominal power P2: 1 kW
 Rated speed: 2750 1/min
 Rated voltage : 1~ 230 V 50 Hz
 Nominal current : 6.6 A
 Degree of protection : IP 44

Dimensions in
mm

| | | | | | | | |
|-----|-----|-----|-----|----|-----|--|--|
| A | 424 | DNM | 1"G | H | 197 | | |
| B | 174 | E | 207 | H2 | 144 | | |
| C | 122 | F | 14 | I | 9 | | |
| DNA | 1"G | G | 111 | | | | |

Weight : 11 kg

Pump connection

 Suction side 1 " G / 8 bar (800 kPa)
 Discharge side 1 " G / 8 bar (800 kPa)



WATER • TECHNOLOGY

PERFORMANCE CURVES

2014-06-04

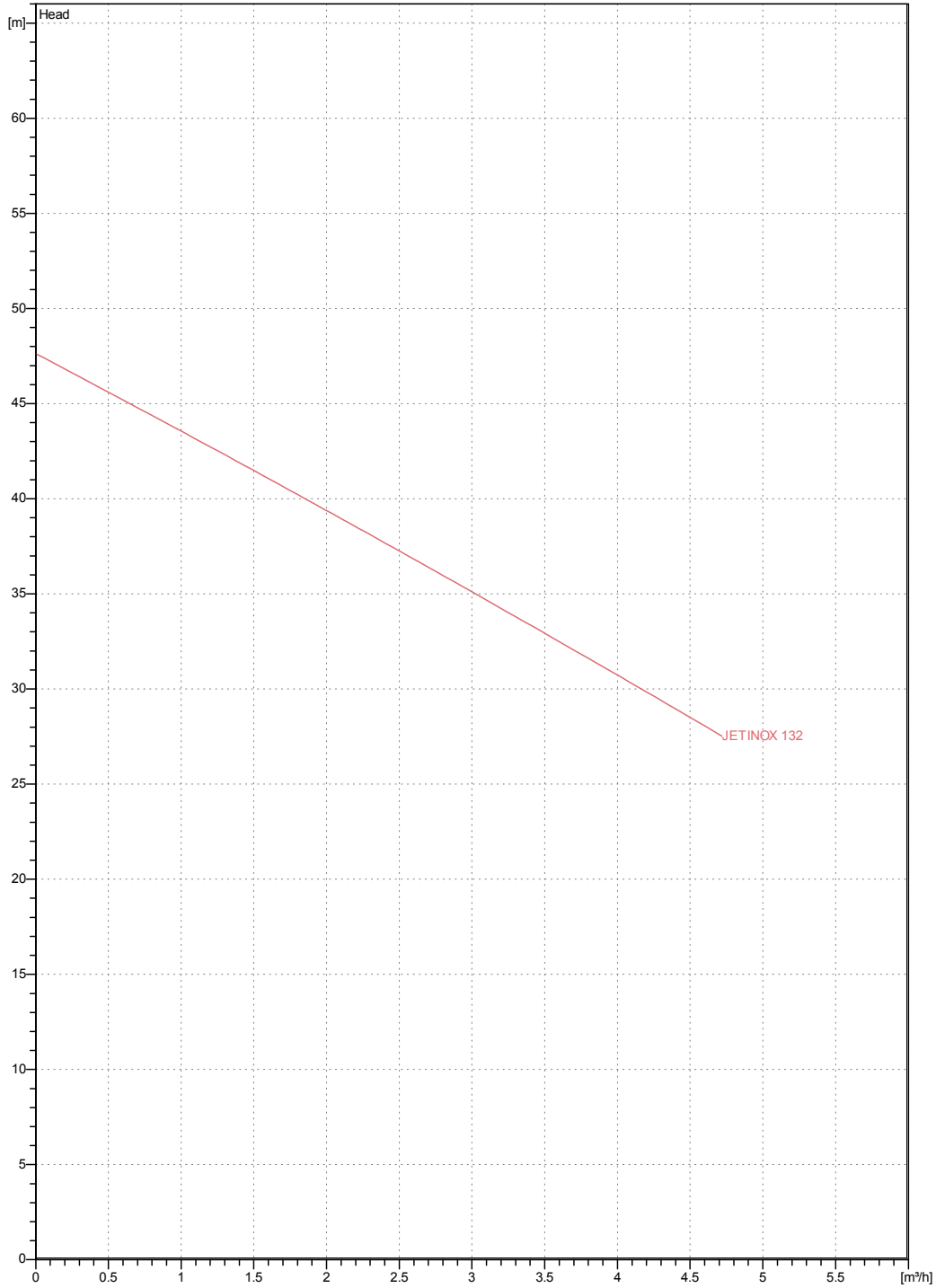
Page 2 / 3

DAB PUMPS S.p.A.
Via Marco Polo, 14 - 35035 Mestrino (PD), Italy
Tel. +39 049 5125000 - Fax +39 049 5125950
www.dabpumps.com

| | | |
|---|-----------------|--|
| Society Reference Address Phone Fax E-mail | Receiver | From |
| | | White International Pty Ltd . 52-60 Ashford Avenue, Milperra, NSW, 2214 - - pumpsales@whiteint.com.au |

JETINOX 132 M

Curve tolerance according to ISO 9906



Hydraulic data (duty point)

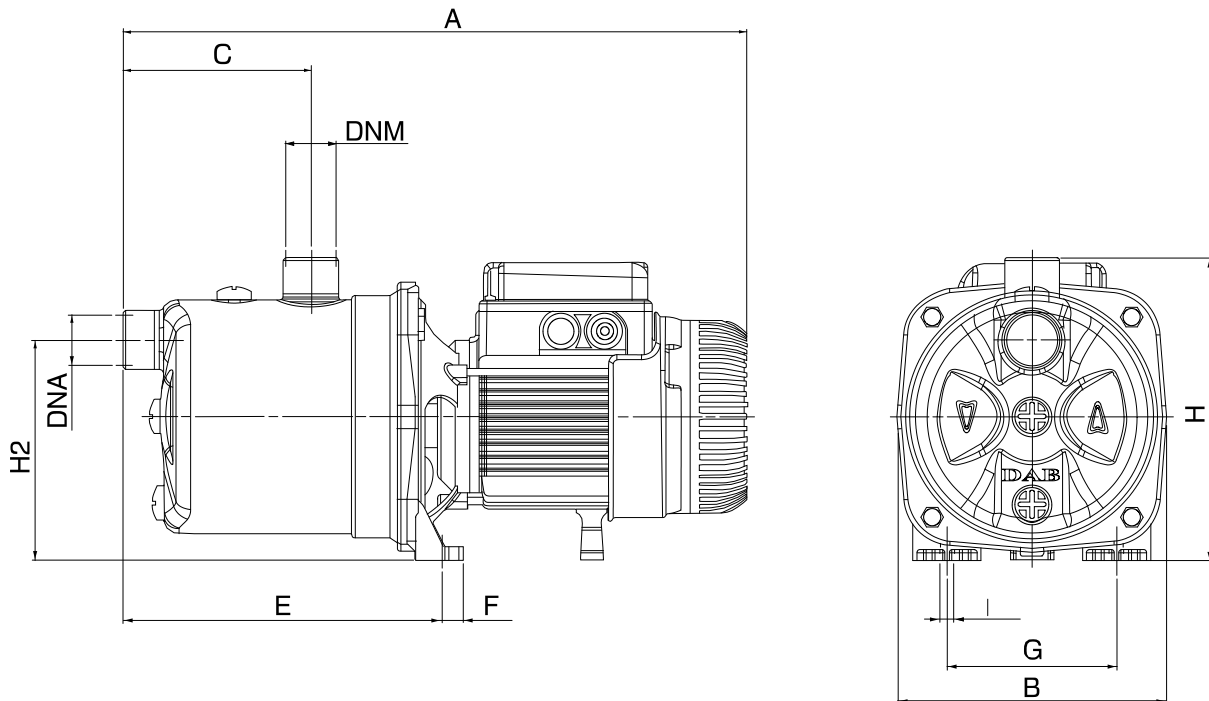
| | | | | |
|--|--|------------------|---------------------------------|----------------------------|
| Suction side 1 " G 8 bar (800 kPa) | Discharge side 1 " G 8 bar (800 kPa) | Flow : 0 m³/h | Head : 0 m | Rated speed: 2750 1/min |
| Project | Project ID | Created by | Created on 2014-06-04 | |

Receiver
From

 Society
 Reference
 Address
 Phone
 Fax
 E-mail

 White International Pty Ltd
 .
 52-60 Ashford Avenue, Milperra, NSW, 2214
 -
 -
 pumpsales@whiteint.com.au

JETINOX 132 M


Dimensions in mm

| | | | | | | |
|----|-----|-----|---|---|--|--|
| 1 | A | 424 | I | 9 | | |
| 2 | B | 174 | | | | |
| 3 | C | 122 | | | | |
| 4 | DNA | 1"G | | | | |
| 5 | DNM | 1"G | | | | |
| 6 | E | 207 | | | | |
| 7 | F | 14 | | | | |
| 8 | G | 111 | | | | |
| 9 | H | 197 | | | | |
| 10 | H2 | 144 | | | | |

Pump connection

Suction
 1 " G
 8 bar (800 kPa)

Discharge
 1 " G
 8 bar (800 kPa)

Project

Project ID

Created by

Created on

2014-06-04