

**Receiver**

 Society  
 Reference  
 Address  
 Phone  
 Fax  
 E-mail

**From**

 -  
 -  
 -

**Item n° :**

102670000

**Model :**

JETCOM 62 M

**Pump data**

 Pressure rating : 6 bar (600 kPa)  
 Min. fluid temperature : 0 °C  
 Max. fluid temperature : 35 °C  
 Max. Ambient temperature : 40 °C

**Priming capacity :**

H	m	2	3	4	5	6	7	8	9
Q	m³/h	2.46	2.28	2.04	1.86	1.62	1.32	1.14	0.78

**Requested data**

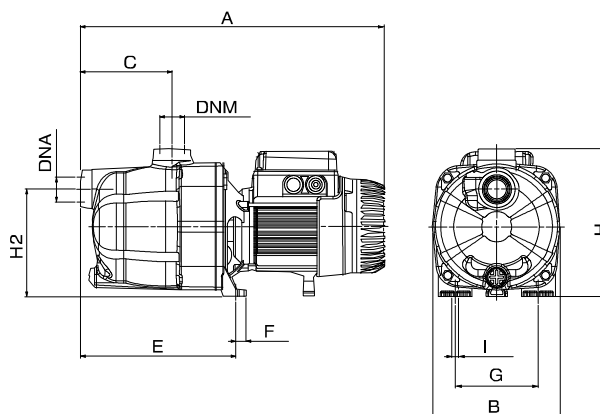
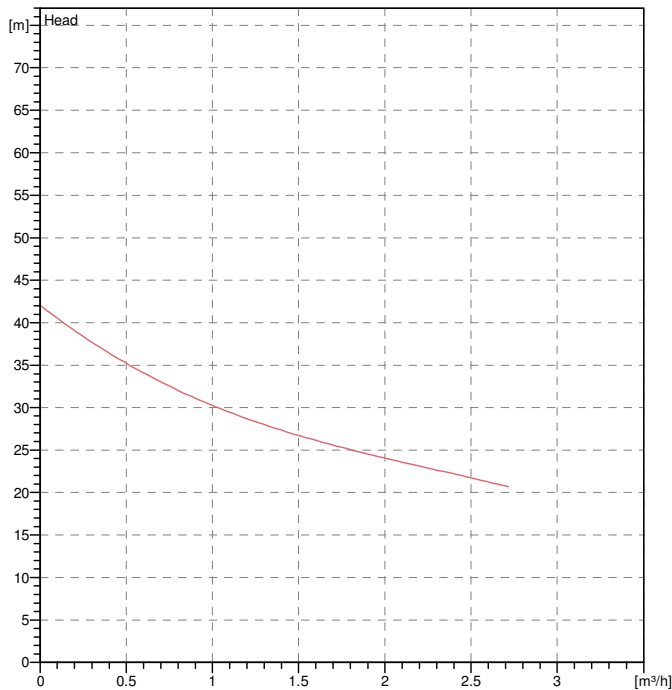
 Flow : 0.00 m³/h  
 Head : 0.00 m  
 Fluid : Water  
 Fluid Temperature : 20 °C  
 Density : 62.315 lb/ft³  
 Kinematic viscosity : 1.0769E-5 ft²/s  
 Vapor pressure : 2.20 kPa

**Hydraulic data (duty point)**

 Flow :  
 Head :

**Materials**

Pump body	Technopolymer A
Disc seal	AISI 304 X5 Cr Ni 1810 UNI 6900/71
Impeller	Technopolymer A
Mechanical seal	Carbon/Ceramic
OR ring	NBR Rubber
Shaft with rotor	AISI 416 X12 CrS 13 UNI 6900/71
Nozzle venturi diffuser assembly	Technopolymer A

**Curve tolerance according to ISO 9906**

**Motor data**

Motor brand :	DAB
Nominal power P2 :	0.59005 hp
Rated speed :	2850 rpm
Rated voltage :	1~ 220-240 V 50 Hz
Nominal current :	3.12 A
Degree of protection :	IP 44

**Dimensions in mm**

A	406	DNM	1" G	H	198		
B	170	E	208	H2	144		
C	122	F	14	I Ø	9		
DNA	1" G	G	111				

**Weight :** 16.534 lb

**Pump connection**

 Suction side : 1" G / 6 bar (600 kPa)  
 Discharge side : 1" G / 6 bar (600 kPa)



WATER • TECHNOLOGY

# PERFORMANCE CURVES

18-08-2016

Page 2 / 3

DAB PUMPS S.p.A.  
Via Marco Polo, 14 - 35035 Mestrino (PD), Italy  
Tel. +39 049 5125000 - Fax +39 049 5125950  
www.dabpumps.com

Receiver

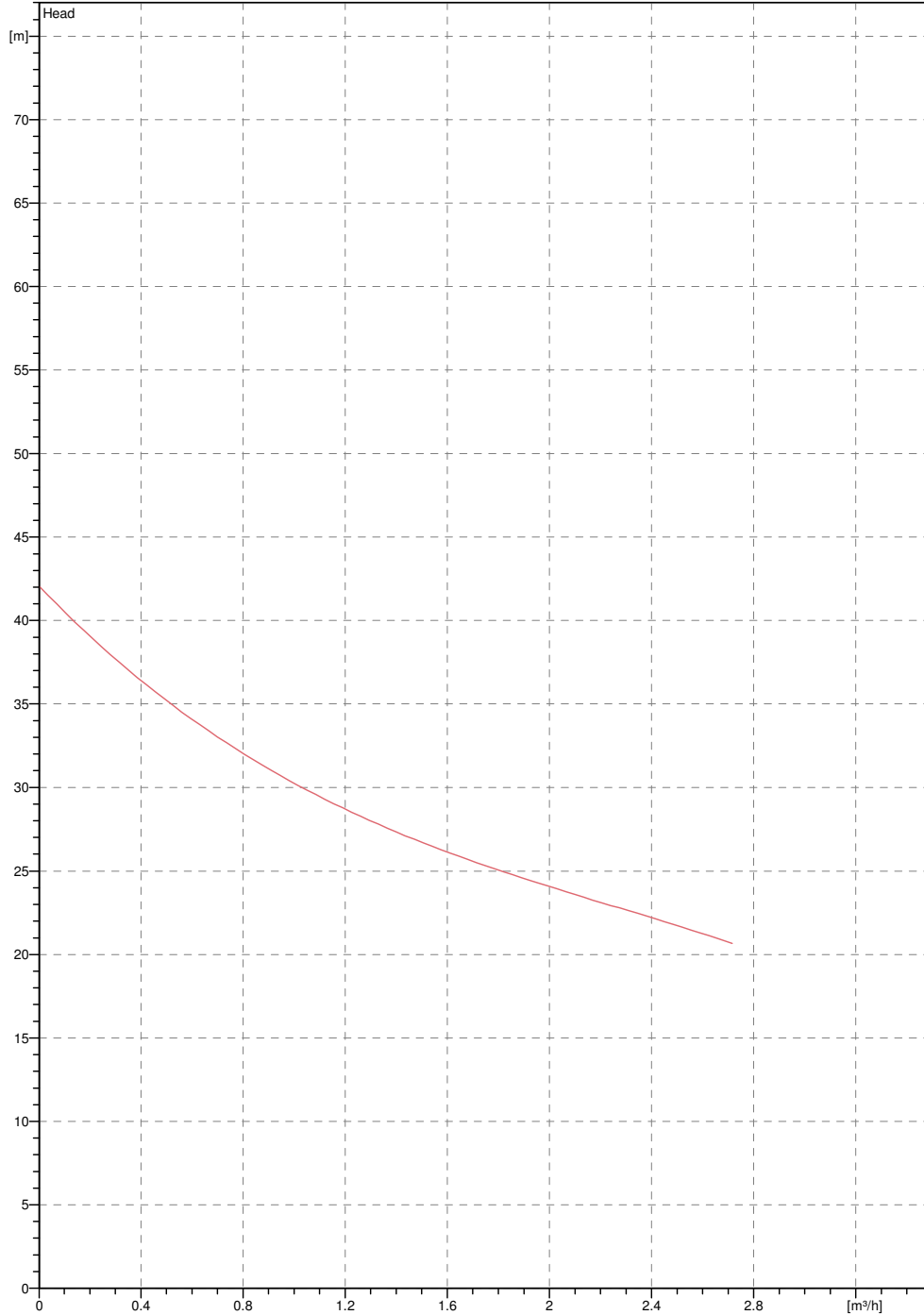
From

Society  
Reference  
Address  
Phone  
Fax  
E-mail

-  
-  
-

## JETCOM 62 M

Curve tolerance according to ISO 9906



Hydraulic data (duty point)

Suction side :  
1 " G  
6 bar (600 kPa)

Discharge side :  
1 " G  
6 bar (600 kPa)

Flow :  
0 m³/h

Head :  
0 m

Rated speed :  
2850 rpm

Project

Project ID

Created by

Created on

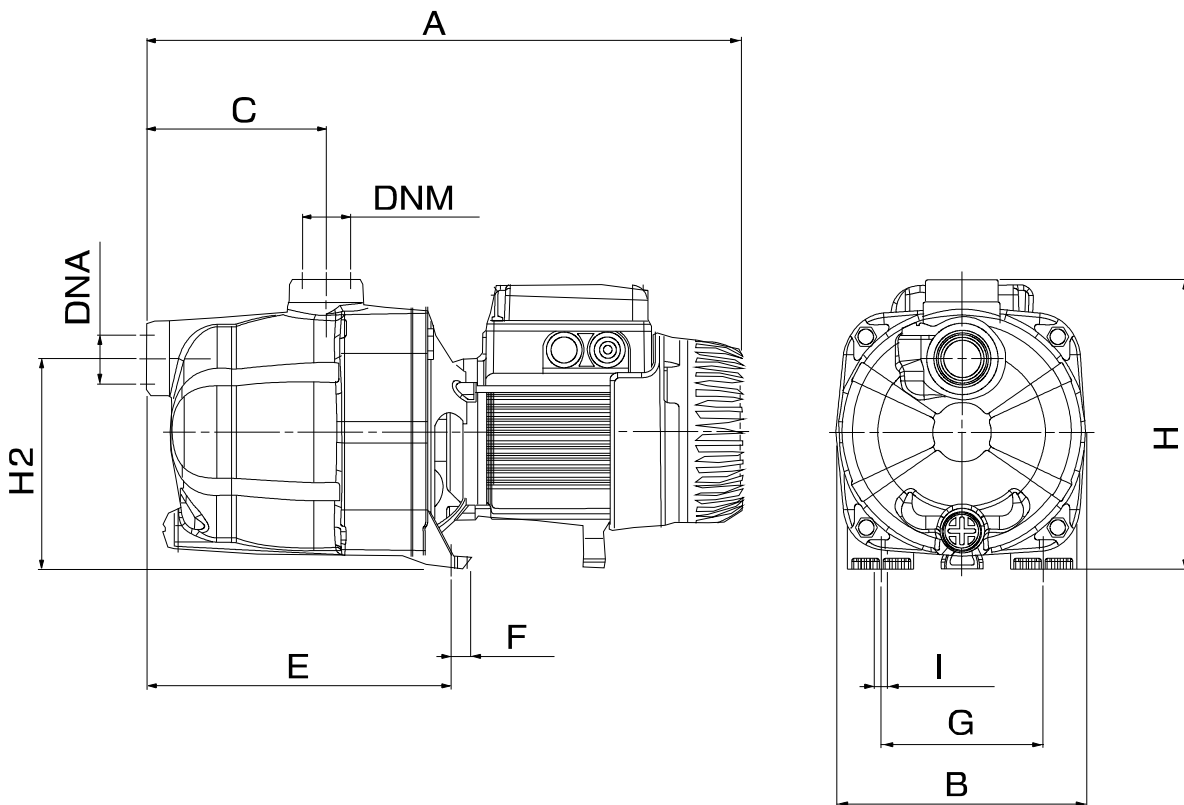
18-08-2016

Receiver

From

Society  
 Reference  
 Address  
 Phone  
 Fax  
 E-mail

## JETCOM 62 M


**Dimensions in mm**

1	A	406	1 Ø	9		
2	B	170				
3	C	122				
4	DNA	1" G				
5	DNM	1" G				
6	E	208				
7	F	14				
8	G	111				
9	H	198				
10	H2	144				

**Pump connection**

Suction  
 1" G  
 6 bar (600 kPa)

Discharge  
 1" G  
 6 bar (600 kPa)

Project

Project ID

Created by

Created on

**18-08-2016**