

Receiver

 Society
 Reference
 Address
 Phone
 Fax
 E-mail

From

 White International Pty Ltd
 52-60 Ashford Avenue, Milperra, NSW, 2214
 -
 -
 pumpsales@whiteint.com.au

Item n° :

102972260

Model :

EUROINOX 30/50 M-P

Pump data

 Pressure rating : 8 bar (800 kPa)
 Min. fluid temperature : 0 °C
 Max. fluid temperature : 35 °C
 Max. Temperature operating : 40 °C

Requested data

 Flow : 0.00 m³/h
 Head : 0.00 m
 Fluid : Water, pure
 Fluid Temperature : 20 °C
 Density : 0.9983 kg/dm³
 Kinematic viscosity : 1.005 mm²/s
 Vapor pressure : 2.34 kPa

Hydraulic data (duty point)

Flow :

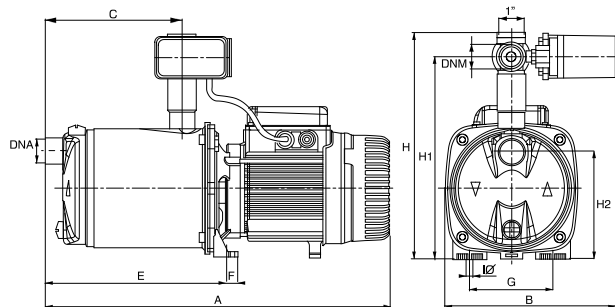
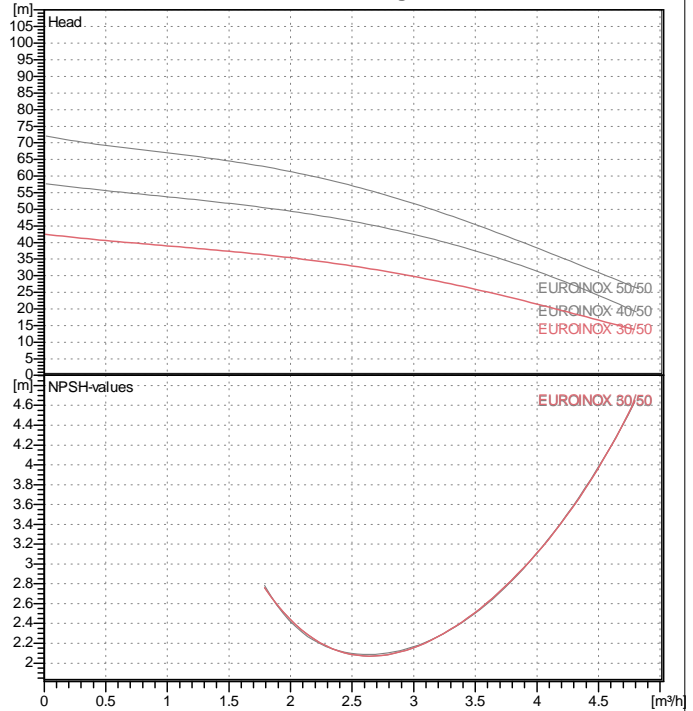
Head :

Materials

 Pump body : AISI 304 X5 Cr Ni 1810 UNI 6900/71
 Impeller : Technopolymer
 Shaft with rotor : AISI 304 X5 Cr Ni 1810 UNI 6900/71
 OR ring : Nbr
 Diffuser : Technopolymer
 Mechanical seal : Carbon/Ceramic
 Disc seal : AISI 304 X5 Cr Ni 1810 UNI 6900/71

Motor data

 Motor brand : DAB
 Nominal power P2 : 0.55 kW
 Rated speed : 2800 1/min
 Rated voltage : 1~ 220-240 V 50 Hz
 Nominal current : 3.9 A
 Degree of protection : IP 44

Curve tolerance according to ISO 9906

Dimensions in mm

A	384	DNM	1" NPT	H	300		
B	226	E	186	H1	268		
C	108	F	13.5	H2	143		
DNA	1" NPT	G	111	I Ø	9		

Pump connection

 Suction side : 1" G / 8 bar (800 kPa)
 Discharge side : 1" G / 8 bar (800 kPa)

Weight : 11.7 kg



PERFORMANCE CURVES

2014-06-26

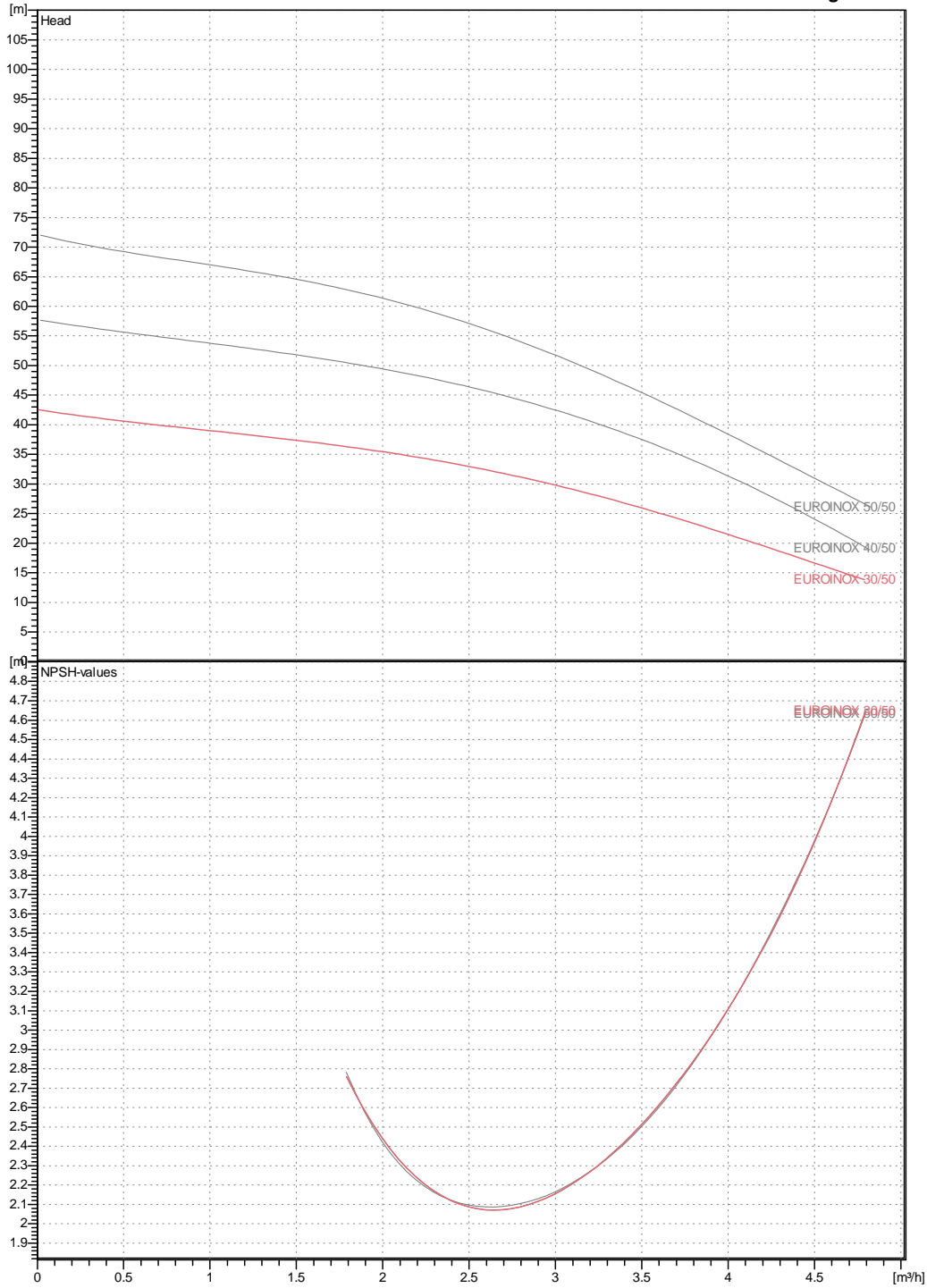
Page 2 / 3

DAB PUMPS S.p.A.
Via Marco Polo, 14 - 35035 Mestrino (PD), Italy
Tel. +39 049 5125000 - Fax +39 049 5125950
www.dabpumps.com

Society Reference Address Phone Fax E-mail	Receiver	From
		White International Pty Ltd . 52-60 Ashford Avenue, Milperra, NSW, 2214 - - pumpsales@whiteint.com.au

EUROINOX 30/50 M-P

Curve tolerance according to ISO 9906



Hydraulic data (duty point)

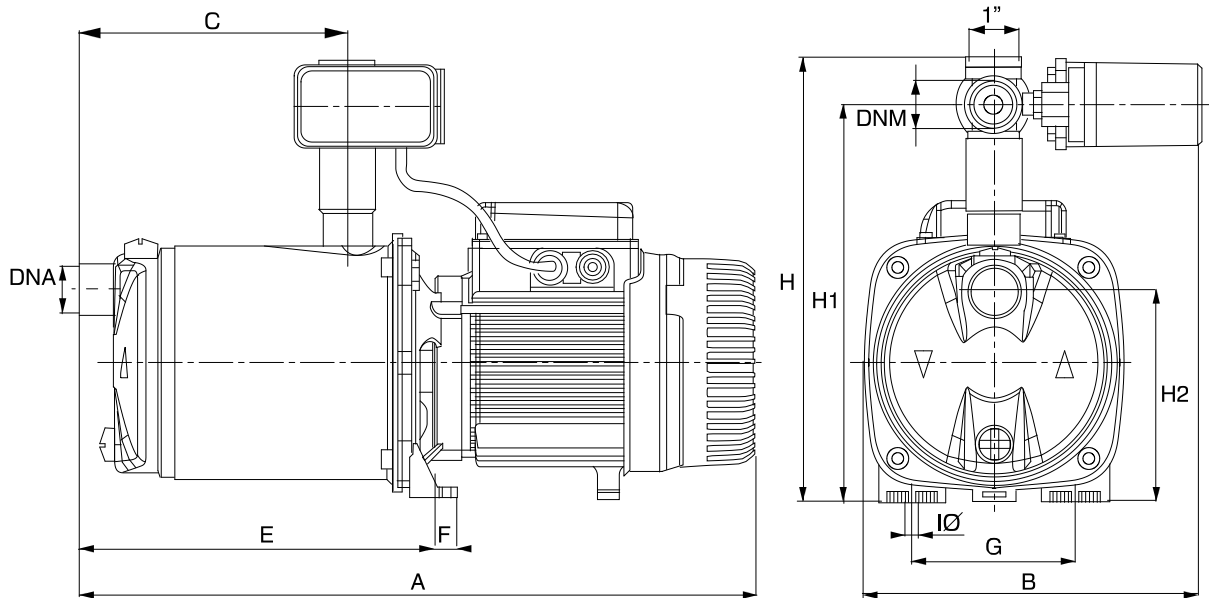
Suction side 1" G 8 bar (800 kPa)	Discharge side 1" G 8 bar (800 kPa)	Flow : 0 m³/h	Head : 0 m	Rated speed: 2800 1/min
Project	Project ID	Created by	Created on 2014-06-26	

Receiver
From

 Society
 Reference
 Address
 Phone
 Fax
 E-mail

 White International Pty Ltd
 .
 52-60 Ashford Avenue, Milperra, NSW, 2214
 .
 .
 pumpsales@whiteint.com.au

EUROINOX 30/50 M-P


Dimensions in mm

1	A	384	H2	143		
2	B	226	I Ø	9		
3	C	108				
4	DNA	1" NPT				
5	DNM	1" NPT				
6	E	186				
7	F	13.5				
8	G	111				
9	H	300				
10	H1	268				

Pump connection

Suction
 1" G
 8 bar (800 kPa)

Discharge
 1" G
 8 bar (800 kPa)

Project

Project ID

Created by

Created on

2014-06-26