

The pump is a horizontal single stage cast iron centrifugal pump supplied ready to install. Used especially for water transfer.

The pump is characterised by:

- Corrosion resistant cast iron pump body and bracket cover with cataphoresis¹ treatment, and 304 stainless steel impeller and shaft.
- Mechanical shaft seal.
- 415V three phase TEFC .
- Motor support foot.

Applications:

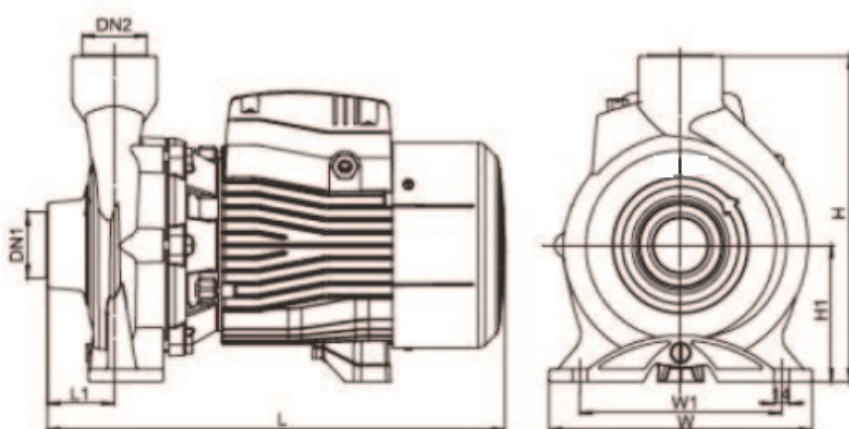
Suitable for industrial wash down, water transfer and tank filling. Suitable for fire fighting, HVAC, circulation and pressure boosting.

1. Cataphoresis is an electrochemical coating process for metallic surfaces widely used in the industry due to its penetration and long life, either as a priming coat or finished paint for corrosion resistance.

Liquid:	Electrical data:
Liquid Type: Clean Water Clean water temperature range: 2 – 60°C	Rated voltage: 380V(-6%) - 415V(+6%) Mains frequency: 50Hz P2(kW): 5.5 (Shaft Power) Current: 13 amps Motor duty: Continuous Motor type: Asynchronous, TEFC Ingress protection: IP X4 Insulation class: F
Materials:	Hydraulic Data:
Pump Body: Cast Iron HT200 Impeller: Stainless Steel 304 O rings: Nitrile	Max Head: 54m Max Flow: 500 l/min
Installation:	
Maximum ambient temperature: 40°C Maximum operating pressure: 8 bar Pipe connections suction/discharge: 2" BSPF / 2" BSPF	

Package Information:

- 57.1 kg
- L 562mm x W 328mm x H 383mm



DN1 DN2 L (mm) W (mm) H (mm) L1 (mm) W1 (mm) H1 (mm)
2" 2" 496.5 280 326 70 195 136

