

Qty. Description

1 UPS 32-80 N 180



Note! Product picture may differ from actual product

Product No.: [95906448](#)

The pump is of the canned rotor type, i.e. pump and motor form an integral unit without shaft seal and with only two gaskets for sealing. The bearings are lubricated by the pumped liquid. The pump has 3-step speed selector.

The pump is characterized by:

- * Ceramic shaft and radial bearings.
- * Carbon axial bearing.
- * Stainless steel rotor can and bearing plate.
- * Corrosion-resistant impeller, Composite, PES/PP.
- * Stainless steel pump housing.

The motor is a 1-phase motor.

No additional motor protection is required.

Liquid:

Pumped liquid: Water
 Liquid temperature range: -25 .. 110 °C
 Liquid temperature during operation: 60 °C
 Density: 983.2 kg/m³

Technical:

TF class: 110
 Approvals on nameplate: AAA,CE,EAC,WEEE

Materials:

Pump housing: Stainless steel
 DIN W.-Nr. 1.4301
 AISI 304
 Impeller: Composite, PES/PP

Installation:

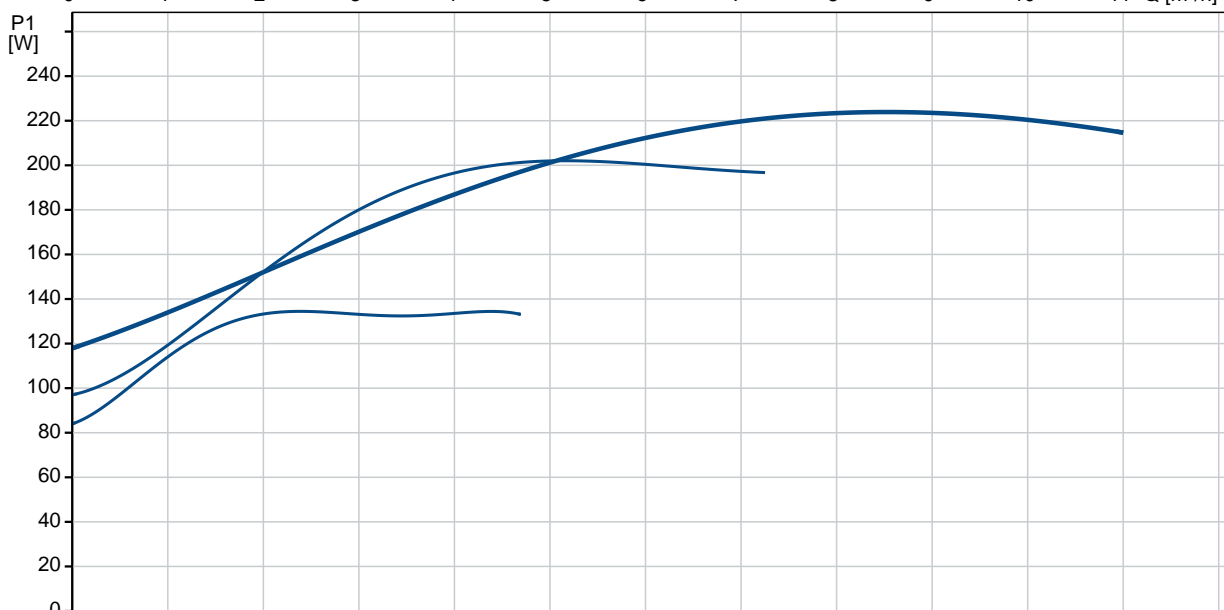
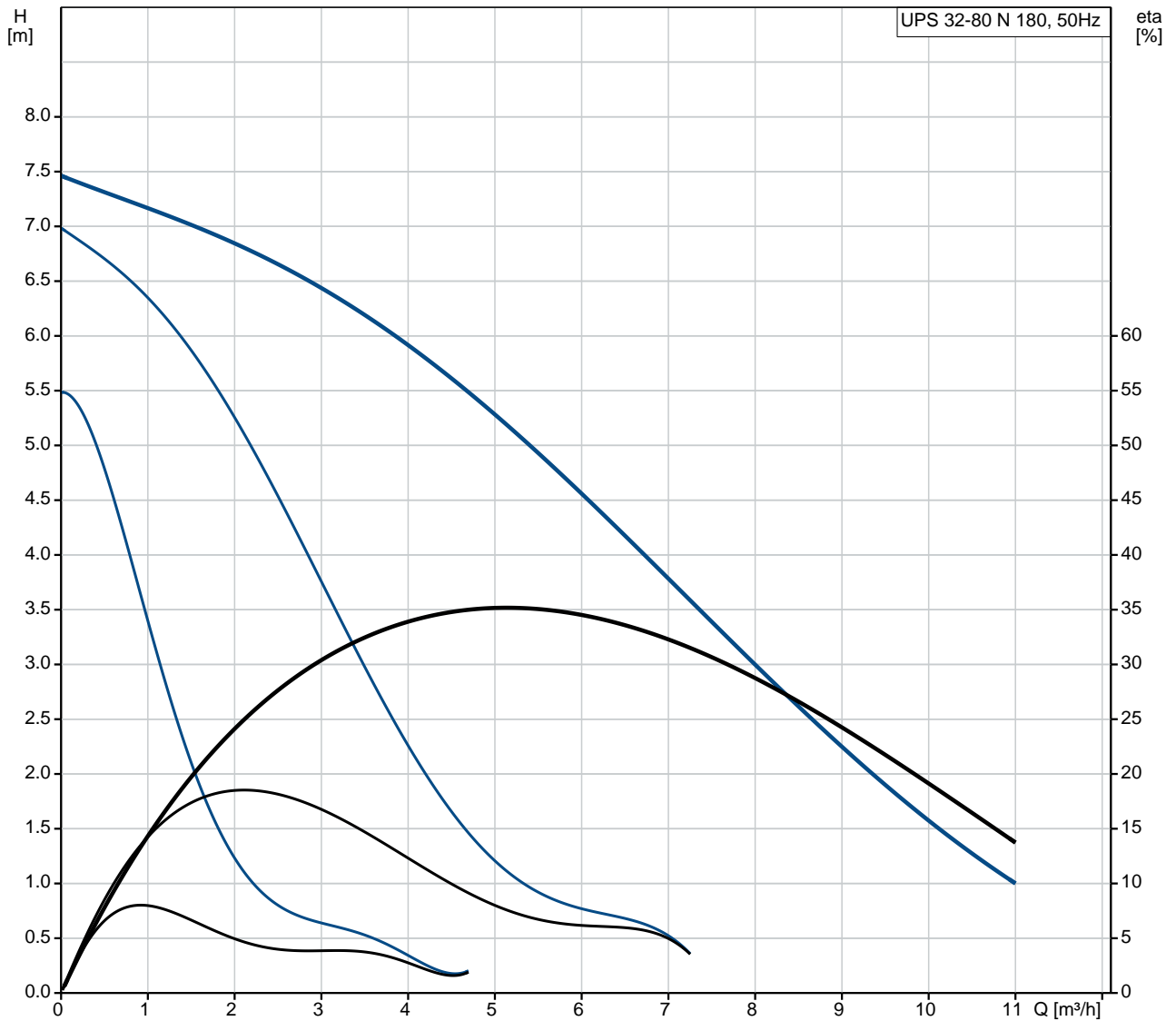
Amb. max at 80 dgr C liquid: 40 °C
 Maximum operating pressure: 10 bar
 Pipe connection: G 2
 Pressure rating: PN 10
 Port-to-port length: 180 mm

Electrical data:

Power input in speed 1: 135 W
 Power input in speed 2: 200 W
 Max. power input: 220 W
 Mains frequency: 50 Hz

Qty.	Description
	<p>Rated voltage: 1 x 230 V Current in speed 1: 0.6 A Current in speed 2: 0.9 A Current in speed 3: 0.98 A Capacitor size - run: 4 µF Enclosure class (IEC 34-5): X2D Insulation class (IEC 85): F</p> <p>Others: Net weight: 4.9 kg Gross weight: 5.2 kg Shipping volume: 0.008 m³ Danish VVS No.: 380648100 Swedish RSK No.: 5803139 Finnish LVI No.: 4615612</p>

95906448 UPS 32-80 N 180 50 Hz



Description	Value
-------------	-------

General information:

Product name: UPS 32-80 N 180
 Product No: [95906448](#)
 EAN number: 5700310353869

Technical:

Speed no: 3
 Head max: 80 dm
 TF class: 110
 Approvals on nameplate: AAA,CE,EAC,WEEE

Materials:

Pump housing: Stainless steel
 DIN W.-Nr. 1.4301
 AISI 304
 Impeller: Composite, PES/PP

Installation:

Amb. max at 80 dgr C liquid: 40 °C
 Maximum operating pressure: 10 bar
 Pipe connection: G 2
 Pressure rating: PN 10
 Port-to-port length: 180 mm

Liquid:

Pumped liquid: Water
 Liquid temperature range: -25 .. 110 °C
 Liquid temperature during operation: 60 °C
 Density: 983.2 kg/m³

Electrical data:

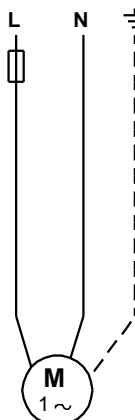
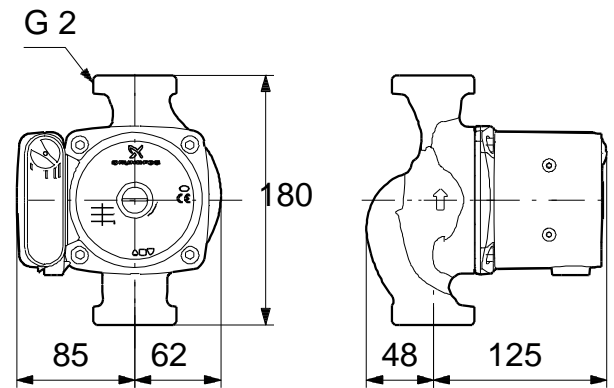
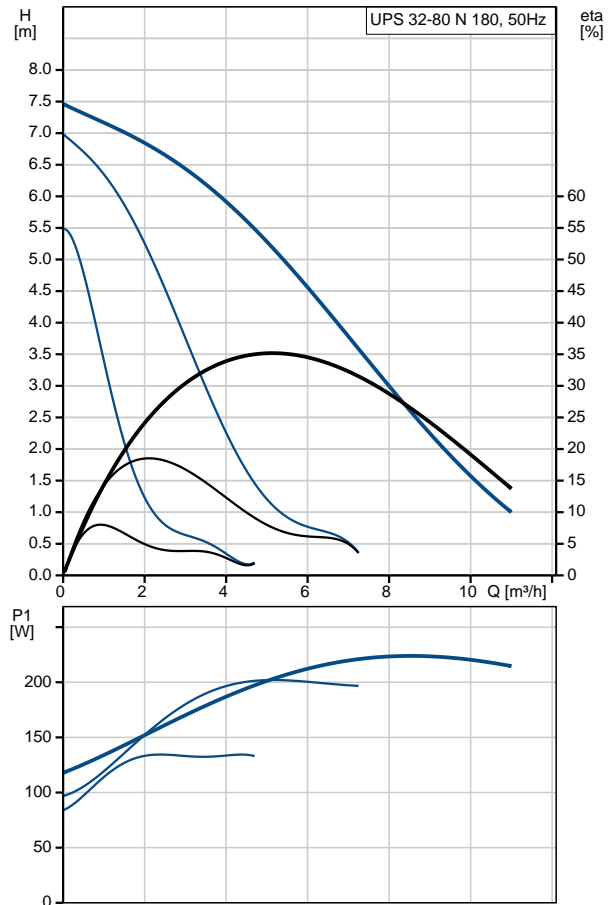
Power input in speed 1: 135 W
 Power input in speed 2: 200 W
 Max. power input: 220 W
 Mains frequency: 50 Hz
 Rated voltage: 1 x 230 V
 Current in speed 1: 0.6 A
 Current in speed 2: 0.9 A
 Current in speed 3: 0.98 A
 Capacitor size - run: 4 µF
 Enclosure class (IEC 34-5): X2D
 Insulation class (IEC 85): F
 Motor protec: CONTACT
 Thermal protec: internal

Controls:

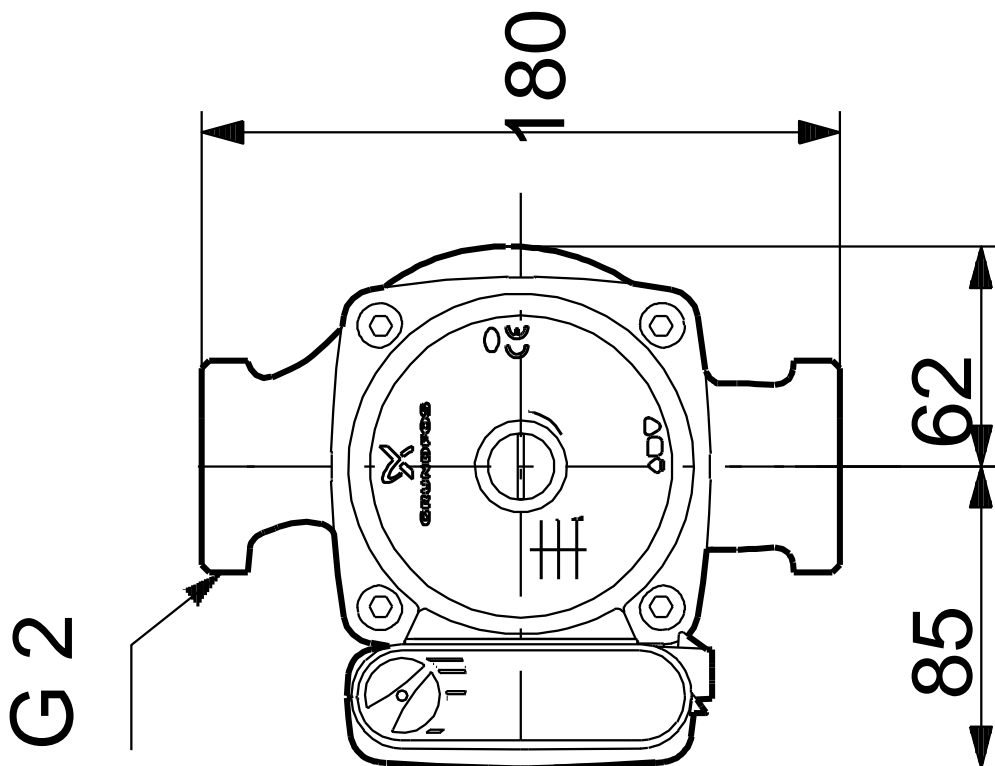
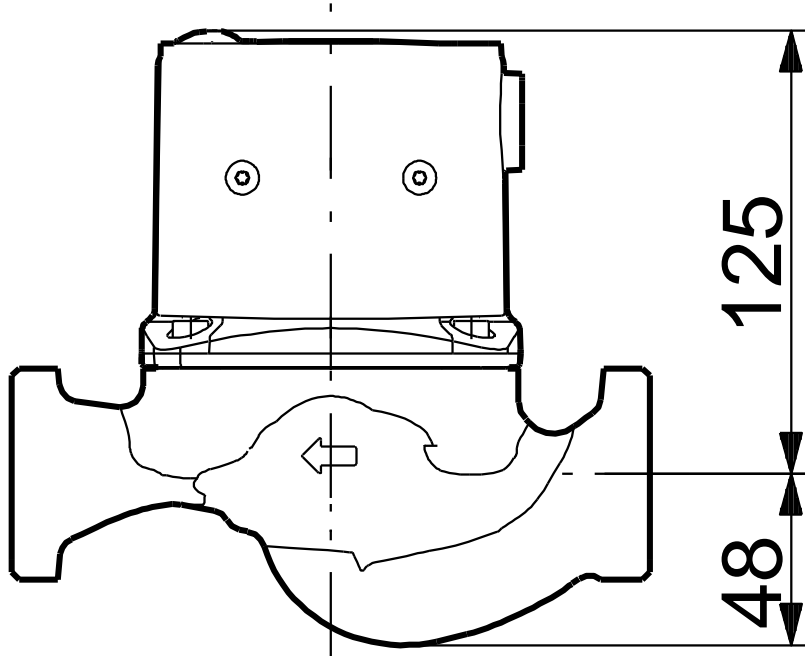
Pos term box: 9H

Others:

Net weight: 4.9 kg
 Gross weight: 5.2 kg
 Shipping volume: 0.008 m³
 Danish VVS No.: 380648100
 Swedish RSK No.: 5803139
 Finnish LVI No.: 4615612



95906448 UPS 32-80 N 180 50 Hz



Note! All units are in [mm] unless others are stated.
Disclaimer: This simplified dimensional drawing does not show all details.

95906448 UPS 32-80 N 180 50 Hz



Note! All units are in [mm] unless others are stated.



Company name:

Created by:

Phone:

Date:

15/02/2019

Order Data:

Product name: UPS 32-80 N 180

Amount: 1

Product No: 95906448

Total: Price on request
