

e.sybox^{mini}

ELECTRONIC PRESSURISATION SYSTEM



E.SYBOX MINI

ELECTRONIC PRESSURISATION SYSTEM



TECHNICAL DATA

Operating range:

capacity up to 80 l/min; head up to 50 m

Liquid quality requirements: clean, free from solid or abrasive contaminants, non-viscous, non-aggressive, uncrystallised and chemically neutral.

Liquid temperature range: from 0°C to +35°C for domestic use for other use: from 0°C to +40°C

Maximum suction depth: 8 meters

Maximum ambient temperature: +50°C

Maximum operating pressure: 7,5 bar (750 kPa)

Motor protection rating: IPX4

Insulation class: F

Installation: Horizontal or vertical fixed position

Special executions on request: alternative types of electrical plug

APPLICATIONS

E.SYBOX mini is the DAB compact automatic pressurisation system for the water supply of a single dwelling. E.SYBOX mini guarantees the comfort of constant pressure (Pressure Set Point adjustable from 1 up to 5 bar) inside the system, and energy savings thanks to the inverter technology. Suitable for use with drinking water, in domestic systems, and in gardening applications. E.SYBOX mini does not require any additional components for its installation.

CONSTRUCTIONAL FEATURES

It consists of a high frequency self-priming double impeller pump, management inverter electronics, pressure and flow sensors, adjustable high resolution LCD display with 1 litre built-in expansion vessel, and cartridge check valve.

The double suction and delivery ports allow both vertical and horizontal installation. Thanks to its compact sizes, installation is also possible in difficult places without high air exchange.

The E.SYWALL wall bracket allows wall installation, saving even more room.

E.SYBOX MINI is a self-priming pump with a capability of 8 metres in less than 5 minutes.

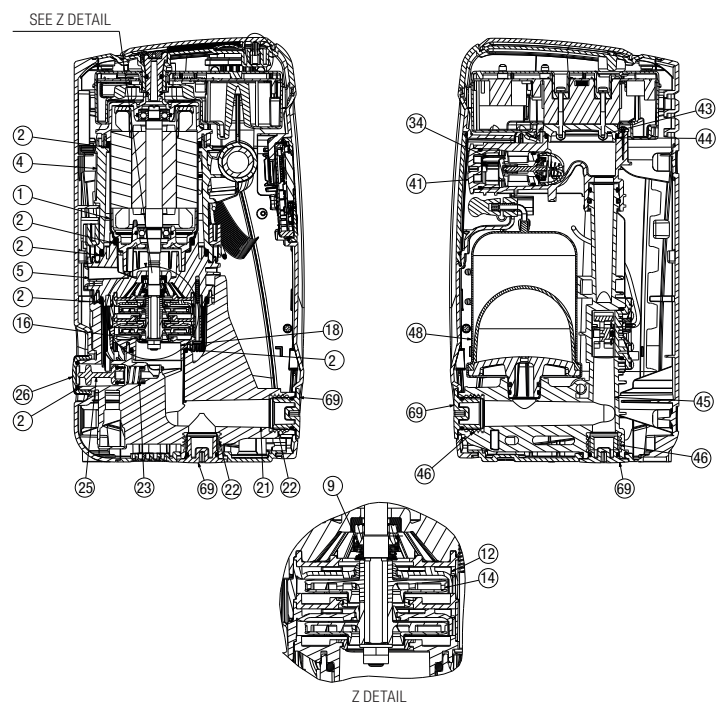
The water cooled motor, the anti-vibration feet and the electronics, make this product totally comfortable and compact.

Fitted with all the safety protections, as well as the protections for the safeguard of the pump. Particularly, the dry run, and the antifreeze protections.

All the parameters and the operating status can be displayed and set on the high resolution LCD display.

MATERIALS

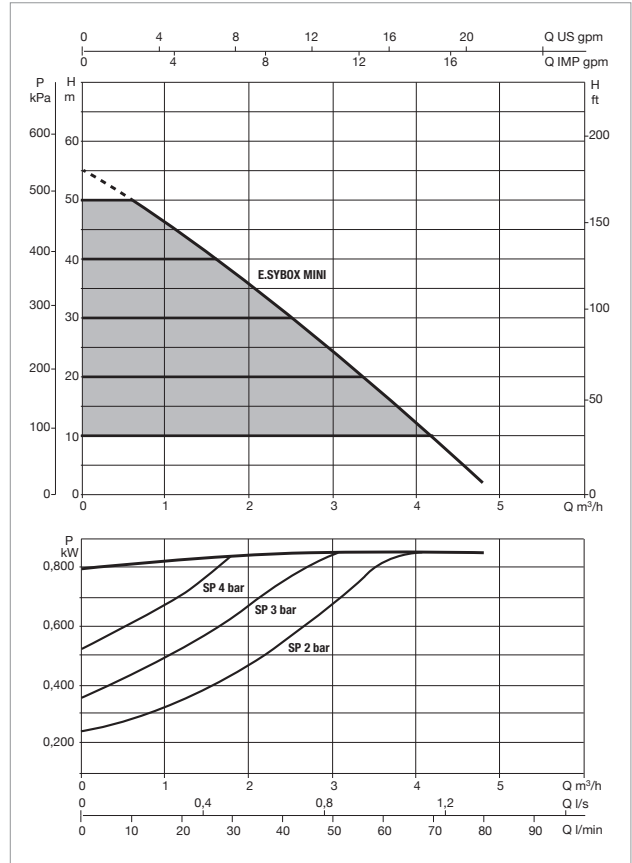
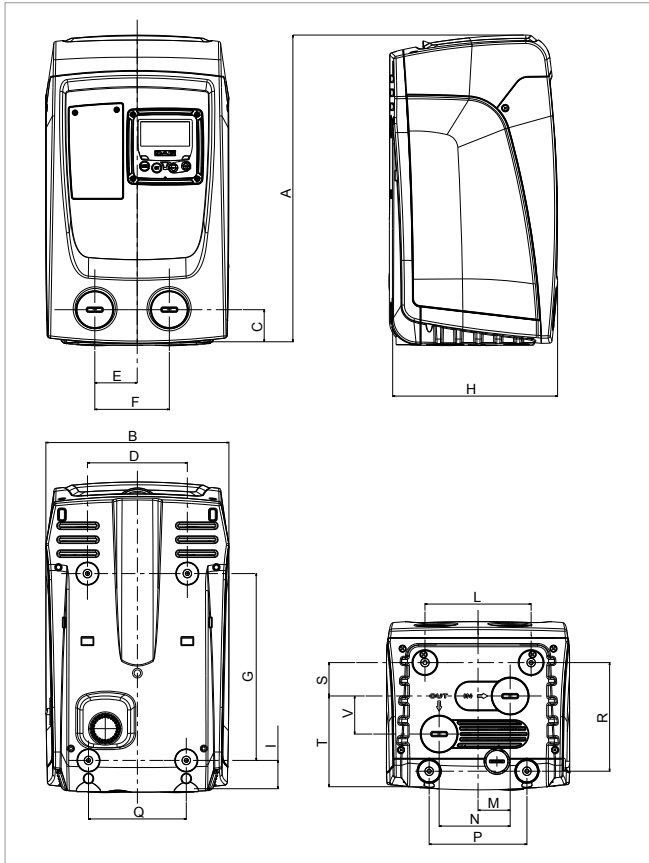
N°	PARTS	MATERIALS
1	MOTOR SLEEVE	STAINLESS STEEL AISI 304
2	O-RING	NBR
4	MOTOR BODY	PP OMO 30% GF
5	MECHANICAL SEAL DISC	PA 6.6 30% GF
9	MECHANICAL SEAL	CARBON IMPREGNATED RESIN/ SILICON CARBIDE / NBR
12	DIFFUSER	NORYL
14	IMPELLER	NORYL
21	SUCTION BODY	PP OMO 30% GF
22	INSERT 1"	BRASS
23	SHUTTER SPRING	STAINLESS STEEL AISI 303
25	SELFPRIMING SHUTTER	POM
26	1" PLUG	PP OMO 30% GF
34	NON RETURN VALVE	TECHNOPOLYMER/RUBBER/STEEL
41	1" 1/4 PLUG	PA 6.6 30% GF
43	HEAT SINK	BRASS
45	DELIVERY BODY	PP OMO 30% GF
46	INSERT 1"	BRASS
48	VESSEL 1L	TECHNOPOLYMER/RUBBER
51	FLOWMETER WHEEL	POM
56	PRESSURE SENSOR BODY	TECHNOPOLYMER
69	1" PLUG	PA 6.6 30% GF



E.SYBOX MINI - ELECTRONIC PRESSURISATION SYSTEM FOR DOMESTIC WATER SUPPLY

Liquid temperature range: from 0°C a +35°C for domestic use - from 0°C a +40°C for other uses.

Maximum ambient temperature: +50°C



The performance curves are based on the kinematic viscosity values = 1 mm²/s and density equivalent to 1000 kg/m³. Curve tolerance according to ISO 9906.

MODEL	Q=m³/h	0,6	1,2	1,8	2,4	3	3,6	4,2	4,8
	Q=l/min	10	20	30	40	50	60	70	80
E.SYBOX MINI	H (m)	50,0	44,5	38,0	31,0	24,0	17,0	9,6	1,8

MODEL	N° IMPELLER	ELECTRICAL DATA			
		POWER SUPPLY 50/60 Hz	P1 MAX		In A
			kW	HP	
E.SYBOX MINI	2	115V ~ 230V ~	0,85	1,1	8 7

MODEL	A	B	C	D	E	F	G	H	I	L	M	N	P	Q	R	S	T	V	DNA	DNM	PACK DIMENSIONS			GROSS Kg
	L/A	L/B	H																					
E.SYBOX MINI	439	263	46	143	60,7	106,7	267,5	236	40,5	152	46	101,7	140	140	155,5	47,8	130	54,5	1"	1"	300	500	320	14,6

DNA[®]

PUMPS SELECTOR



On-line selection tool



DAB PUMPS LTD.

Unit 4 and 5, Stortford Hall Industrial Park,
Dunmow Road,
Bishops Stortford,
Herts
CM23 5GZ - UK
salesuk@dwtgroup.com
Tel. +44 1279 652 776
Fax +44 1279 657 727



DAB PUMPS IBERICA S.L.

Avenida de Castilla nr.1 Local 14
28830 - San Fernando De Henares - Madrid
Spain
info.spain@dwtgroup.com
Tel. +34 91 6569545
Fax: +34 91 6569676



DAB PUMPS INC.

3226 Benchmark Drive
Ladson, SC 29456 - USA
info.usa@dwtgroup.com
Tel. 1-843-824-6332
Toll Free 1-866-896-4DAB (4322)
Fax 1-843-797-3366



DAB PUMPS B.V.

Brusselstraat 150
B-1702 Groot-Bijgaarden - Belgium
info.belgium@dwtgroup.com
Tel. +32 2 4668353
Fax +32 2 4669218



DAB PRODUCTION HUNGARY KFT.

H-8800
Nagykanizsa, Buda Ernó u.5
Hungary
Tel. +36 93501700



DWT SOUTH AFRICA

Podium at Menlyn,
3rd Floor, Unit 3001b, 43 Ingersol Road,
C/O Lois and Atterbury street,
Menlyn, Pretoria, 0181 - South-Africa
info.sa@dwtgroup.com
Tel. +27 12 361 3997
Fax +27 12 361 3137



DAB PUMPS POLAND Sp. z o.o.

Mokotow Marynarska
ul. Postępu 15C
02-676 Warszawa - Poland
Tel. +48 223 81 6085



DAB PUMPS CHINA

No.40 Kaituo Road, Qingdao Economic & Technological
Development Zone
Qingdao City, Shandong Province - China
PC: 266500
info.china@dwtgroup.com
Tel. +8653286812030-6270
Fax +8653286812210



DAB PUMPS B.V.

Albert Einsteinweg, 4
5151 DL Drunen - Nederland
info.netherlands@dwtgroup.com
Tel. +31 416 387280
Fax +31 416 387299



DAB UKRAINE Representative Office

Regus Horizon Park
4 M. Hrinchenka St, suit 147
03680 Kiev - Ukraine
Tel. +38 044 391 59 43



DAB PUMPEN DEUTSCHLAND GmbH

Tackweg 11
D - 47918 Tönisvorst - Germany
info.germany@dwtgroup.com
Tel. +49 2151 82136-0
Fax +49 2151 82136-36



OOO DAB PUMPS

Novgorodskaya str. 1, block G
office 308, 127247, Moscow - Russia
info.russia@dwtgroup.com
Tel. +7 495 122 0035
Fax +7 495 122 0036



DAB PUMPS DE MÉXICO, S.A. DE C.V.

Av Gral Álvaro Obregón 270, oficina 355
Hipódromo, Cuauhtémoc 06100
México, D.F.
Tel. +52 55 6719 0493