



63161_Rev_B

X500 SWIMCROSS™ EXERCISE SYSTEMS



Options

Options		Dimensions	Water Capacity	Dry Weight	Filled Weight
1	 50" Depth	15ft L 89in W 50in D	1,650 Gallons	2,705 lbs	18,220 lbs

Note: Filled weight includes water and 10 adults, each weighing 175 lbs.

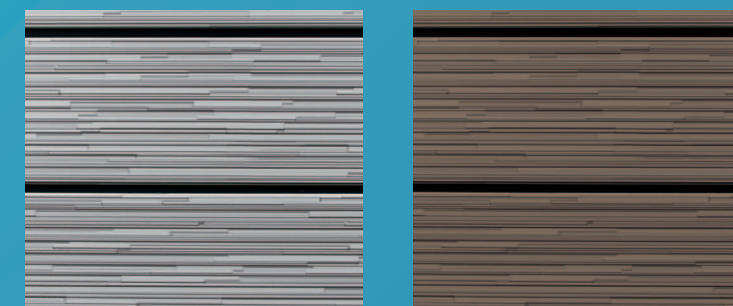
Shell Colors



Alpine White

Ice Gray

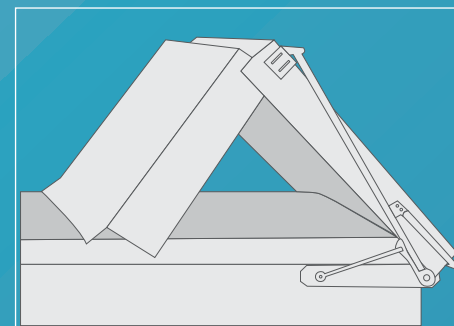
Cabinet Colors



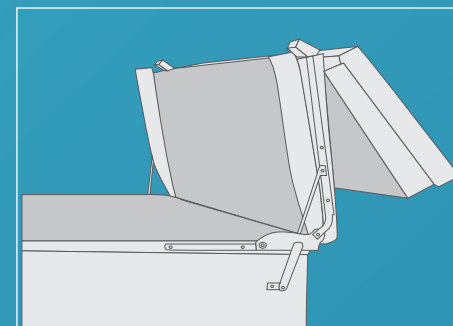
Gray Oak

Dark Mocha

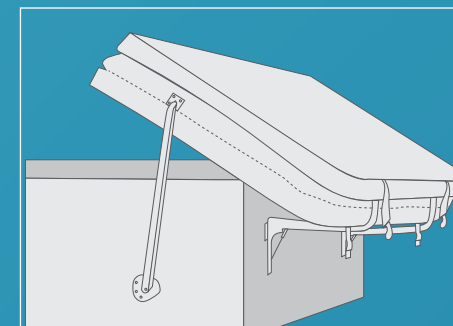
Cover & Lifter Systems



VacuSeal® Lifting System



Watkins® Covers & Lifters



Watkins Cover Cradle/Prolift® III



WatkinsWellness™
Feel good. Live well.™

Swim Fitness Accessories

