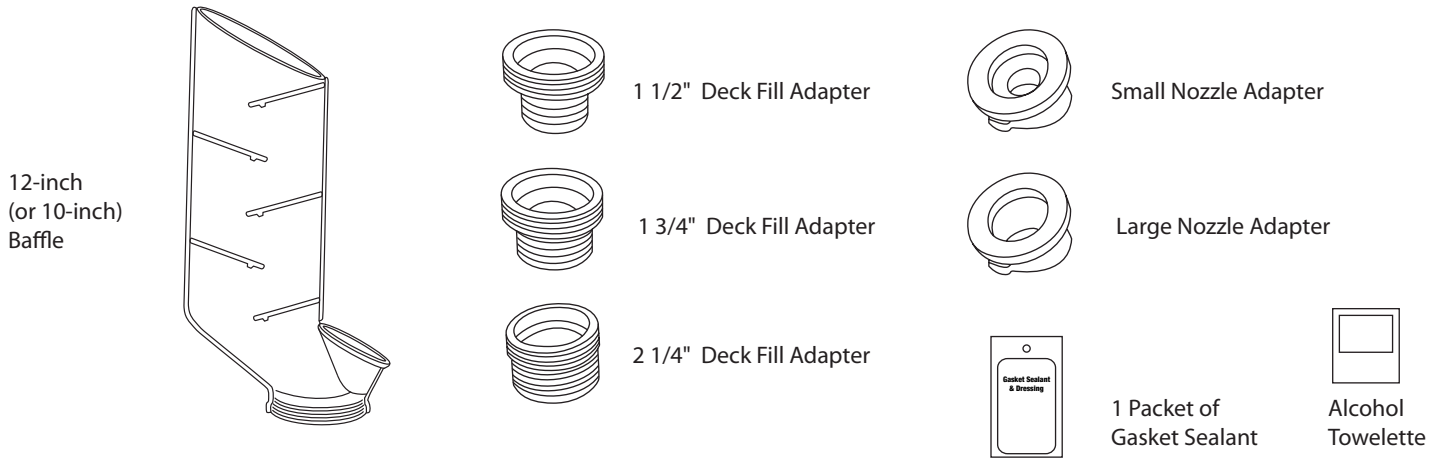
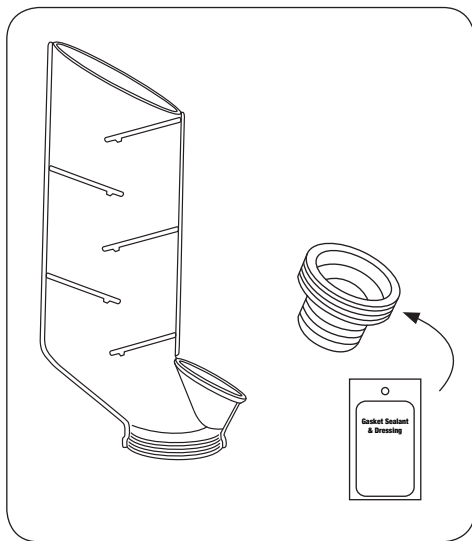


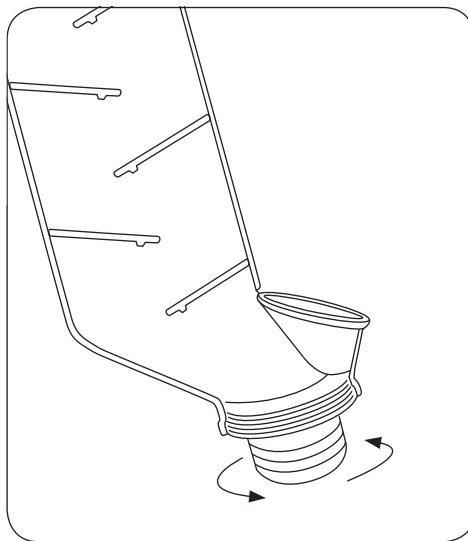
Included in Clean Way Fuel Fill Kit



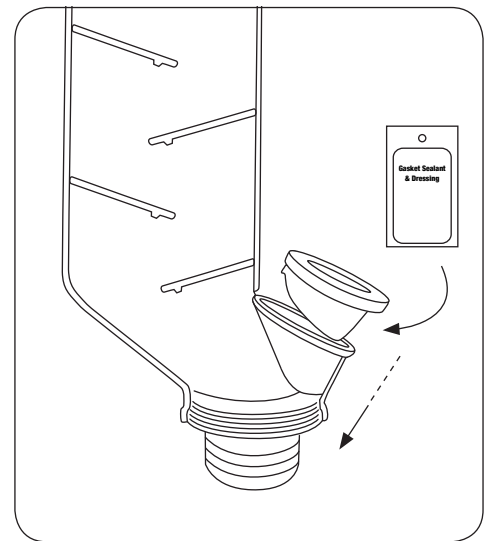
Clean Way Fuel Fill Usage



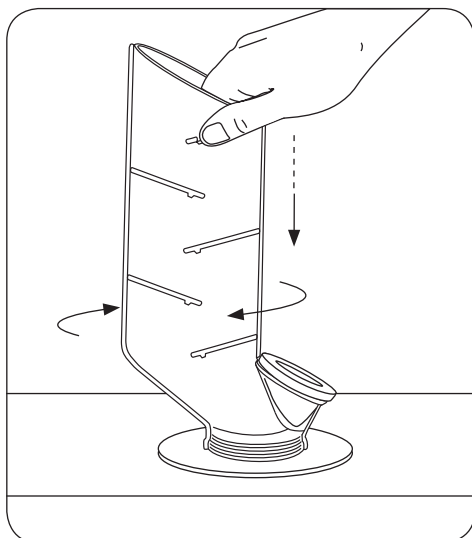
1. Choose the Deck Fill Adapter that fits your boat. Apply a thin coating of sealant to the rubber adapter threads. Do not over apply. Wipe off any excess with the enclosed alcohol towelette.



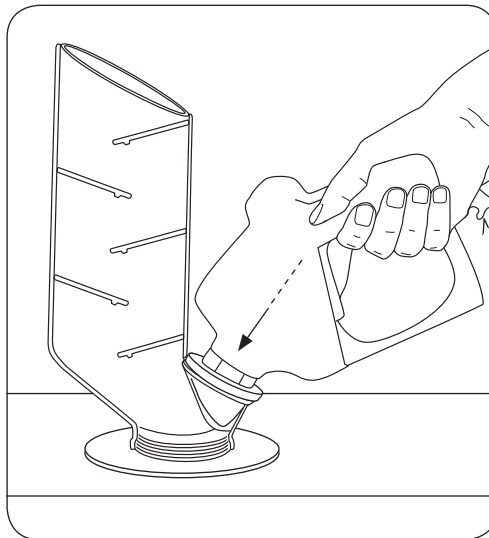
2. Force Deck Fill Adapter into the bottom of the baffle. Give it a few turns to seat it. Let sit for 12 to 15 hours before use.



3. Apply a thin coating of sealant to the outside of the Nozzle Adapter and insert. Do not over apply. Wipe off any excess with the enclosed alcohol towelette. The larger opening is for diesel fuel nozzles, the smaller is for gas. The smaller adapter will also expand to fit tightly around different sized diesel nozzles.



4. Push Clean Way down into boat deck fill and twist to seal tightly.



5. Insert nozzle. Before fueling, be sure the nozzle is inserted as far into the receiver as possible, making tight contact with the adapter.

The original Clean Way™ Fuel Fill is designed for use on horizontal deck fills, however it will work on any angle up to about a 60° angle. For deck fills on a steeper angle, we recommend the 10-inch Clean Way™ Fuel Fill as it may be easier to hold in place than the larger 12-inch model.

Questions? Contact us at 772.460.6670 or email [cleanwayfuelfill@comcast.net](mailto:cleanwayfuelfill@comcast.net)

Visit us at [cleanwayfuelfill.com](http://cleanwayfuelfill.com)



**Warning.** Fuel and its vapors are extremely flammable and explosive. Fill fuel tank outdoors, away from open flames, sparks, heat, and other ignition sources. Static electricity can ignite fuel and its vapors. Properly ground fuel nozzle on metallic deck fills.

If fuel spills, clean up spill before starting engine. Some droplets of fuel may remain in your Clean Way device after use. Do not store your Clean Way in a plastic bag or other sealed container as it may prevent fuel from evaporating.

Store your Clean Way Fuel Fill above deck in a well-ventilated area.