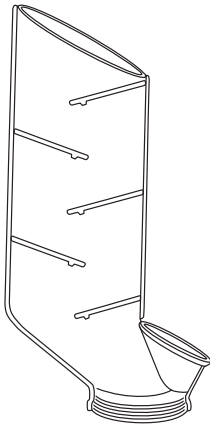


Included in Clean Way Fuel Fill Kit

12-inch
(or 10-inch)
Baffle



1 1/2" Deck Fill Adapter



1 3/4" Deck Fill Adapter



2" Deck Fill Adapter



Small Nozzle Adapter

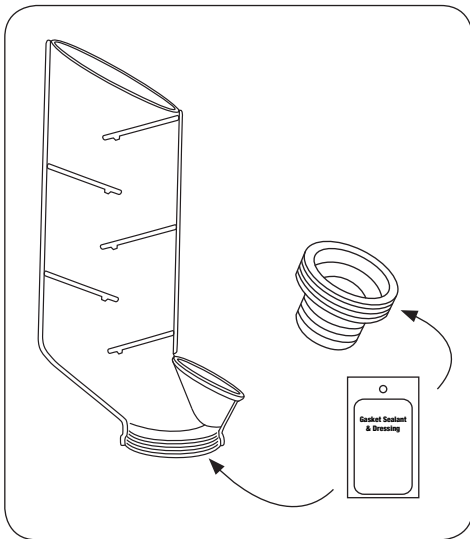


Large Nozzle Adapter

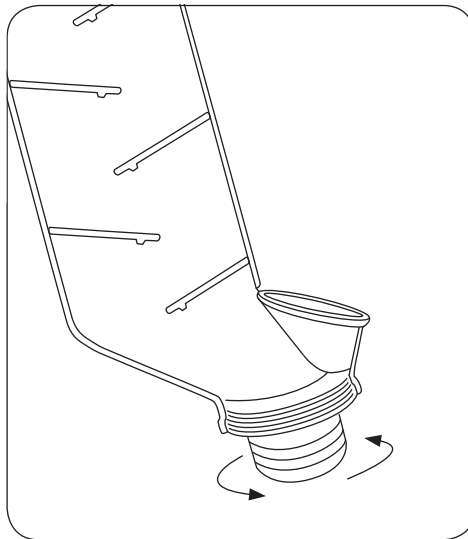


1 Packet of Gasket Sealant

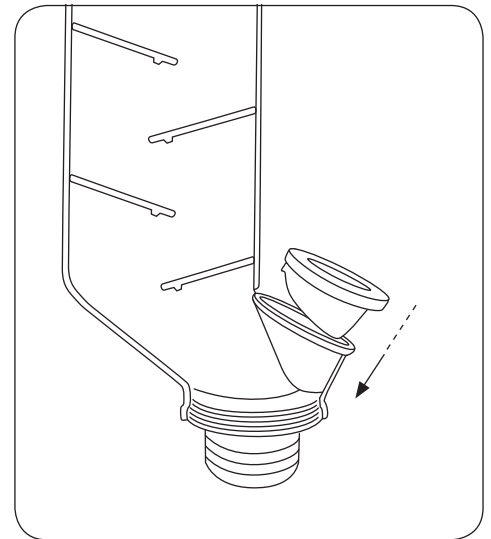
Clean Way Fuel Fill Usage



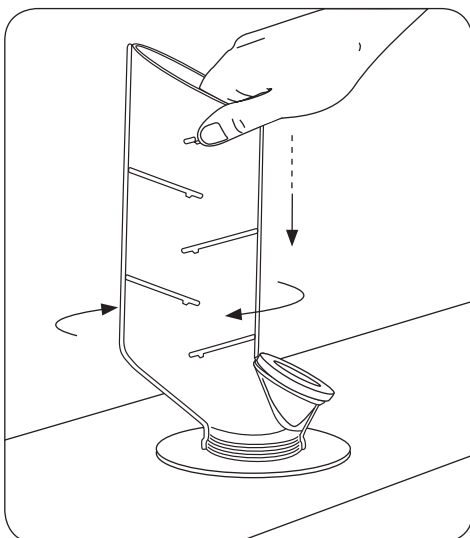
1. Choose the Deck Fill Adapter that fits your boat. Apply sealant to adapter threads and to the bottom of the baffle.



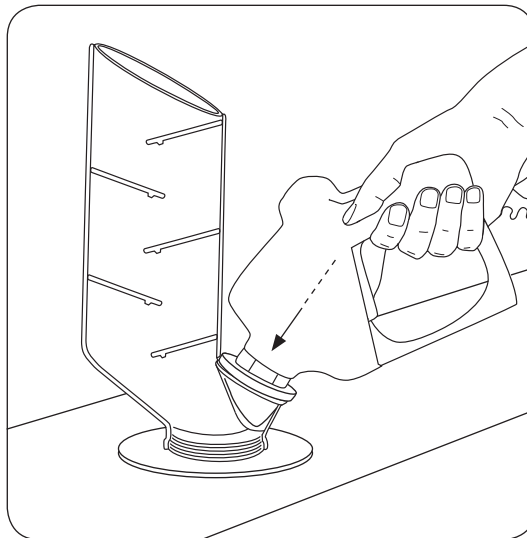
2. Force Deck Fill Adapter into the bottom of the baffle. Give it a few turns to seat it. Let sit for 12 to 15 hours before use.



3. Insert Nozzle Adapter. The larger opening is for diesel fuel nozzles, the smaller is for gas. The smaller adapter will also expand to fit tightly around different sized diesel nozzles.



4. Push Clean Way down into boat deck fill and twist to seal tightly.



5. Insert nozzle. Before fueling, be sure the nozzle is inserted as far into the receiver as possible, making tight contact with the adapter.

Clean Way™ Fuel Fill is designed for horizontal deck fills and deck fills on angle up to 45°.

Questions? Contact us at 772.460.6670 or email cleanwayfuelfill@comcast.net

Visit us at cleanwayfuelfill.com

