

IMPORTANT!
DO NOT DESTROY

¡IMPORTANTE!
NO DESTRUIR



Installation and Maintenance Manual

with Safety Information
and Parts List

RECOMMENDED SPARE PARTS HIGHLIGHTED IN GRAY

Manual de Instalación y Mantenimiento

con Información sobre Seguridad
y Lista de Refacciones

LAS REFACCIONES RECOMENDADAS SE RESALTAN EN GRIS

Model ABEZ



Effective November 2013

(Supercedes January 2006)

Bulletin #647



POWERED BY
CONVEYOR SOLUTIONS

Use code **HYPMANUAL** for free shipping
on your first order at HytrolParts.com

TABLE OF CONTENTS

INTRODUCTION

Receiving and Uncrating	2
How To Order Replacement Parts	2

SAFETY INFORMATION

Installation/Operation	3
Maintenance	3

INSTALLATION

Support Installation	4
Ceiling Hanger Installation	4
Conveyor Set-Up	4
Racked Sections	5
Belt Installation	5
Electrical Equipment	6
Belt Tracking	6, 7
Tread Roller Installation	7
Sequence of Operation	7
EZLogic® System	7, 8
Pressure Adjustment	8

OPERATION

Conveyor Start-Up	8
-----------------------------	---

MAINTENANCE

Lubrication	8
Drive Chain Alignment and Tension	9
Trouble Shooting	9
Maintenance Checklist	Back Cover

REPLACEMENT PARTS

Model ABEZ Parts Drawing	10
4 Roller Brake Assembly	10
2 Roller Brake Assembly	11
Model ABEZ Parts List	11
8" Center Drive Assembly & Parts List	12
Pneumatic Parts Drawings	13, 14
Accumulation Detail	14

Spanish Version	15
---------------------------	----

INTRODUCTION

This manual provides guidelines and procedures for installing, operating, and maintaining your conveyor. A complete parts list is provided with recommended spare parts highlighted in gray. Important safety information is also provided throughout the manual. For safety to personnel and for proper operation of your conveyor, it is recommended that you read and follow the instructions provided in this manual.

• Receiving and Uncrating

1. Check the number of items received against the bill of lading.
2. Examine condition of equipment to determine if any damage occurred during shipment.
3. Move all crates to area of installation.
4. Remove crating and check for optional equipment that may be fastened to the conveyor. Make sure these parts (or any foreign pieces) are removed.

NOTE: If damage has occurred or freight is missing, Contact your Hytrol Integration Partner.

• How to Order Replacement Parts

Included in this manual are parts drawings with complete replacement parts lists. Minor fasteners, such as nuts and bolts, are not included.

When ordering replacement parts:

1. Contact Dealer from whom conveyor was purchased or nearest HYTROL Integration Partner.
2. Give Conveyor Model Number and Serial Number or HYTROL Factory Order Number.
3. Give Part Number and complete description from Parts List.
4. Give type of drive. Example—8" End Drive, 8" Center Drive, etc.
5. If you are in a breakdown situation, tell us.



SAFETY INFORMATION

• Installation

GUARDS AND GUARDING

Interfacing of Equipment. When two or more pieces of equipment are interfaced, special attention shall be given to the interfaced area to insure the presence of adequate guarding and safety devices.

Guarding Exceptions. Whenever conditions prevail that would require guarding under these standards, but such guarding would render the conveyor unusable, prominent warning means shall be provided in the area or on the equipment in lieu of guarding.

Guarded by Location or Position. Where necessary for the protection of employees from hazards, all exposed moving machinery parts that present a hazard to employees at their work station shall be mechanically or electrically guarded, or guarded by location or position.

- Remoteness from frequent presence of public or employed personnel shall constitute guarding by location.
- When a conveyor passes over a walkway, roadway, or work station, it is considered guarded solely by location or position if all moving parts are at least 8 ft. (2.44 m) above the floor or walking surface or are otherwise located so that the employee cannot inadvertently come in contact with hazardous moving parts.
- Although overhead conveyors may be guarded by location, spill guards, pan guards, or equivalent shall be provided if the product may fall off the conveyor for any reason and if personnel would be endangered.

HEADROOM

- When conveyors are installed above exit passageways, aisles, or corridors, there shall be provided a minimum clearance of 6 ft. 8 in. (2.032 m) measured vertically from the floor or walking surface to the lowest part of the conveyor or guards.
- Where system function will be impaired by providing the minimum clearance of 6 ft. 8 in. (2.032 m) through an emergency clearance, alternate passageways shall be provided.
- It is permissible to allow passage under conveyors with less than 6 ft. 8 in. (2.032 m) clearance from the floor for other than emergency exits if a suitable warning indicates low headroom.

• Operation

A) Only trained employees shall be permitted to operate conveyors. Training shall include instruction in operation under normal conditions and emergency situations.

B) Where employee safety is dependent upon stopping and/or starting devices, they shall be kept free of obstructions to permit ready access.

C) The area around loading and unloading points shall be kept clear of obstructions which could endanger personnel.

D) No person shall ride the load-carrying element of a conveyor under any circumstances unless that person is specifically authorized by the owner or employer to do so. Under those circumstances, such employee shall only ride a conveyor which incorporates within its supporting structure platforms or control stations specifically designed for carrying personnel. Under no circumstances shall any person ride on any element of a vertical conveyor.

E) Personnel working on or near a conveyor shall be instructed as to the location and operation of pertinent stopping devices.

F) A conveyor shall be used to transport only material it is capable of handling safely.

G) Under no circumstances shall the safety characteristics of the conveyor be altered if such alterations would endanger personnel.

H) Routine inspections and preventive and corrective maintenance programs shall be conducted to insure that all safety features and devices are retained and function properly.

I) Personnel should be alerted to the potential hazard of entanglement in conveyors caused by items such as long hair, loose clothing, and jewelry.

J) Conveyors shall not be maintained or serviced while in operation unless proper maintenance or service requires the conveyor to be in motion. In this case, personnel shall be made aware of the hazards and how the task may be safely accomplished.

K) Owners of conveyor should insure proper safety labels are affixed to the conveyor warning of particular hazards involved in operation of their conveyors.

CAUTION! Because of the many moving parts on the conveyor, all personnel in the area of the conveyor need to be warned that the conveyor is about to be started.

• Maintenance

- All maintenance, including lubrication and adjustments, shall be performed only by qualified and trained personnel.
- It is important that a maintenance program be established to insure that all conveyor components are maintained in a condition which does not constitute a hazard to personnel.
- When a conveyor is stopped for maintenance purposes, starting devices or powered accessories shall be locked or tagged out in accordance with a formalized procedure designed to protect all persons or groups involved with the conveyor against an unexpected start.
- Replace all safety devices and guards before starting equipment for normal operation.
- Whenever practical, DO NOT lubricate conveyors while they are in motion. Only trained personnel who are aware of the hazard of the conveyor in motion shall be allowed to lubricate.

Safety Guards

Maintain all guards and safety devices IN POSITION and IN SAFE REPAIR.

• Safety Labels

In an effort to reduce the possibility of injury to personnel working around HYTROL conveying equipment, safety labels are placed at various points on the equipment to alert them of potential hazards. Please check equipment and note all safety labels. Make certain your personnel are alerted to and obey these warnings. See Safety Manual for examples of warning labels.

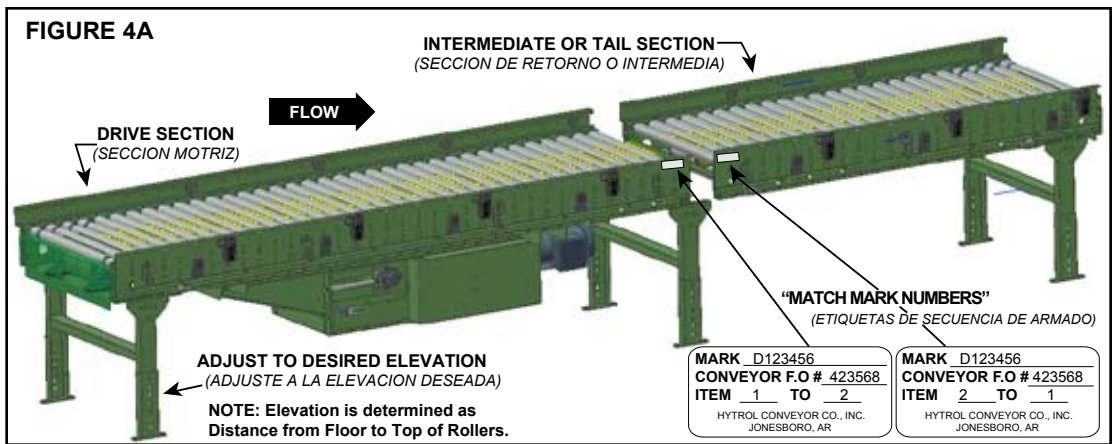
Remember Do not remove, reuse or modify material handling equipment for any purpose other than it's original intended use.

CAUTION! Only trained personnel should track a conveyor belt which must be done while conveyor is in operation. DO NOT attempt to track belt if conveyor is loaded.

INSTALLATION

• Support Installation

1. Determine primary direction of product flow. Figure 4A indicates the preferred flow as related to the drive.
2. Refer to "Match-Mark" numbers on ends of conveyor sections. (Figure 4A) Position them in this sequence near the area of installation.
3. Attach supports to both ends of drive section and to one end of intermediate or tail sections (Figure 4A). Hand tighten bolts only at this time.
4. Adjust elevation to required height.

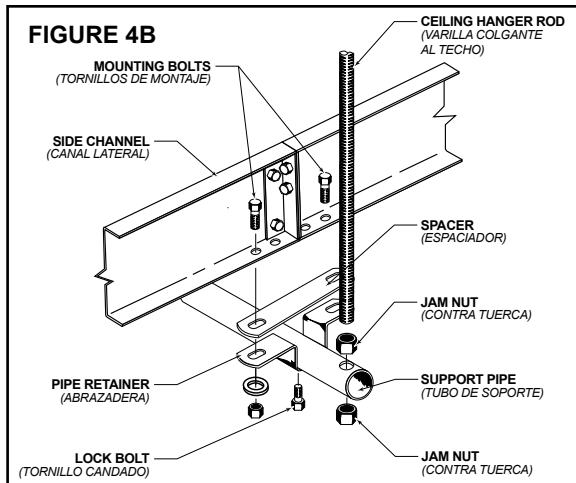


• Ceiling Hanger Installation

If conveyors are to be used in an overhead application, ceiling hangers may have been supplied in place of floor supports.

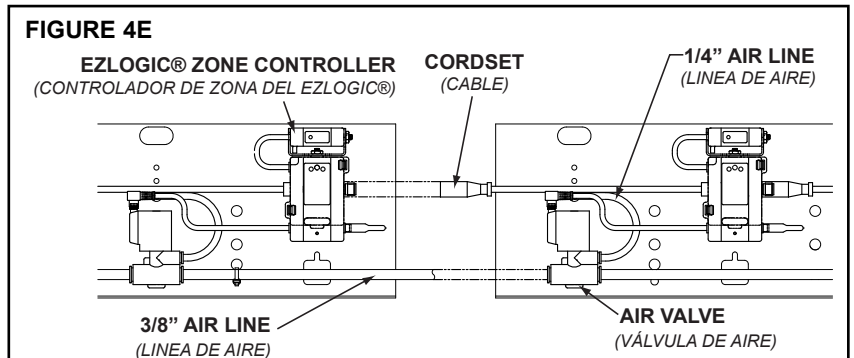
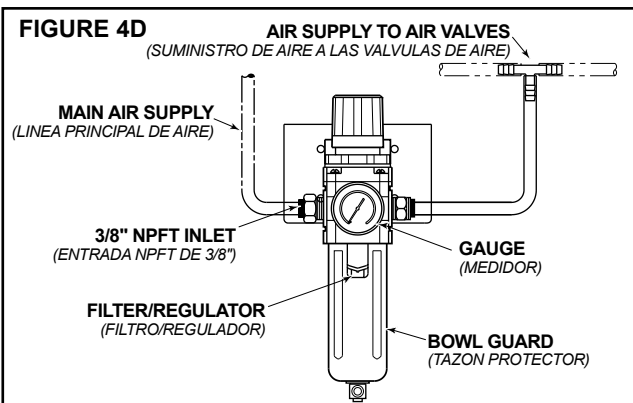
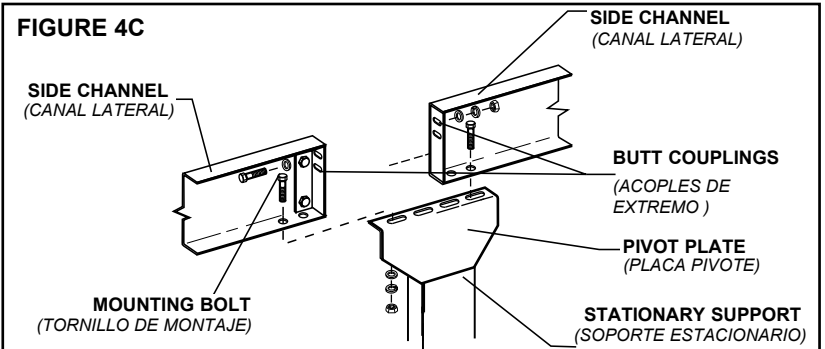
Figure 4B shows how a ceiling hanger mounts to a conveyor section. Ceiling hangers should be mounted at section joints. For safety information concerning conveyors mounted overhead, refer to "Installation Safety Precautions" on Page 3.

NOTE: When installing ceiling hanger rods in an existing building, all methods of attachment must comply with local building codes.



• Conveyor Set-Up

1. Mark a chalk line on floor to locate centerline of the conveyor.
 2. Place the drive section in position.
 3. Place remaining sections on extended support of previous section (Figure 4A and 4C).
 4. Insure that each bed sections is square prior to setting in place. Refer to Figure 5. Page 5 for Instructions on How To Square The Beds. Bed sections must be square in order for the belt to track properly.
 5. Fasten sections together with butt couplings and pivot plates (Figure 4C). Hand tighten bolts only at this time.
 6. Tighten all butt coupling and support mounting bolts and lag conveyor to floor.
 7. Connect air lines and cordsets at section joints as shown in Figure 4E.
 8. Connect main air supply line to Filter/Regulator (Figure 4D).
- CONVEYOR SET-UP CONT.**
9. Connect 110 VAC power to power supply and connect 24 VDC power from power supply to conveyor. NOTE: See the EZLogic® GEN 3 Component Manual for more information on power supply connections.
 10. Set Regulator to working pressure of 35 P.S.I. NOTE: See Packing Envelope for maintenance instructions on How to Adjust & Lubricate the Filter/Regulator.
 11. Install electrical controls and wire motor. See Page 6.
 12. Track belt per instructions on Page 6 & 7.



• Racked Sections

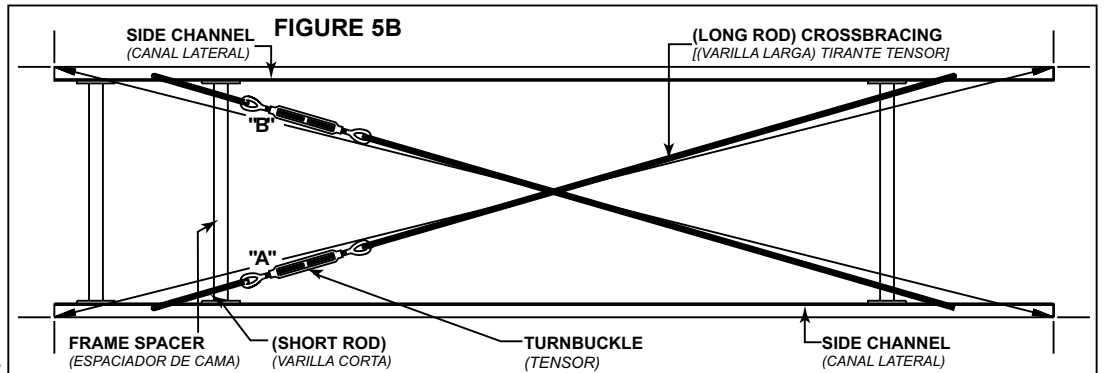
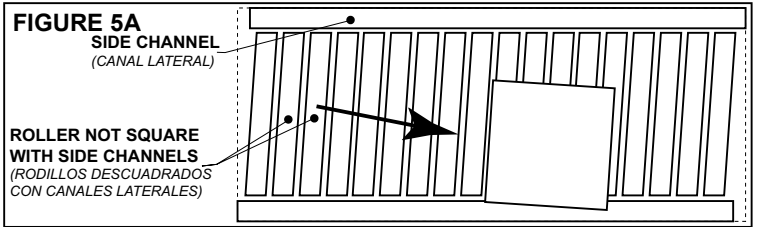
It is important that each bed section be checked for an out-of-square condition and squared prior to being set in place. If conveyor is not square, tracking problems will result. Figure 5A indicates a racked section.

TO CORRECT AN OUT-OF-SQUARE SECTION

1. Locate points on corners of section and measure distance "A" & "B". If the dimensions are not equal, the section will need to be squared. (Figure 5B).
2. Use crossbracing supplied on underside of conveyor to square each section. Adjust turnbuckle until Dimensions "A" & "B" are equal.
3. After all bed sections have been checked and corrected for "racked condition", tighten all butt couplings and pivot plate bolts.
4. Make final check to see that all conveyor sections are level across width and length. If entire conveyor is level, supports can be lagged to floor.

IMPORTANT!
Being out of level across width of conveyor can cause package drift on long conveyor lines, and will cause belt to not track properly.

"Racked" conveyor sections will cause package to travel toward side of conveyor.



• Belt Installation

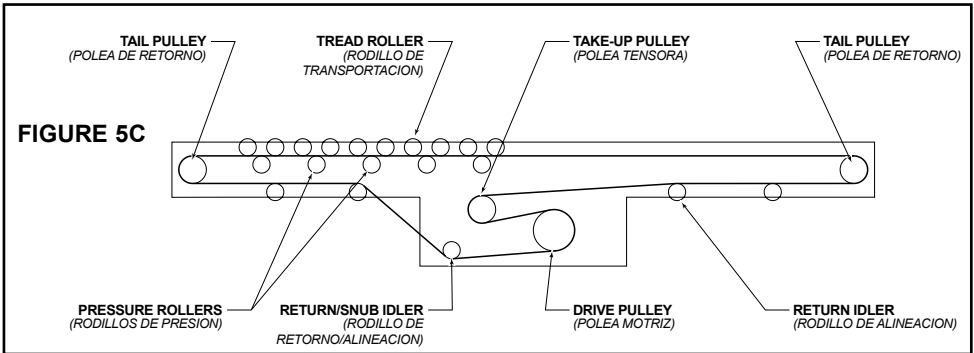
INSTALLING THE BELT

The conveyor belt has been cut to the proper length and lacing installed at the factory. The belt should be installed with the brushed side down toward the pressure rollers and the polyurethane coated side up toward the tread rollers. To install follow these steps:

1. Remove tread rollers as necessary in order to thread belt through conveyor as shown in Figure 5C. Pull ends together and insert lacing pin (Figure 5D). If belt ends cannot be pulled together by hand, loosen take-up pulley in center drive and/or use a belt puller so lacing pin can be inserted.
2. Adjust belt tension with take-up pulley. Keep pulley square by moving both take-up bolts an equal amount. Maintain enough tension so drive pulley will not slip when carrying the rated load.
3. Track belt per instructions on Page 6 & 7.

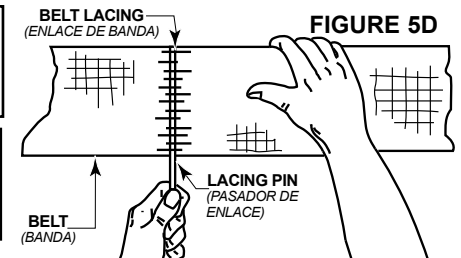
BELT WIDTH (ANCHO DE LA BANDA)	LACING ANGLE (ANGULO DE ENLACE)
6"	5°

CAUTION! Excessive slippage will reduce belt life and damage drive pulley lagging. Never apply more tension than is needed. Over-tension will cause extra wear to belt and bearings and will require extra power from drive.



NOTE: If belt ends cannot be pulled together by hand, it may be necessary to loosen take-ups (at tail pulley, etc.), minimum position or use a belt puller so lacing pin can be easily inserted.

NOTE: Tread roller axles are spring loaded on one end. Rollers may be removed by using tool such as a screwdriver to push on the "soft" end of the axle or pliers to pull on opposite end of the axle.



Use code **HYPMANUAL** for free shipping on your first order at HytrolParts.com

• Electrical Equipment CONTROLS

WARNING! Electrical controls shall be installed and wired by a qualified electrician. Wiring information for the motor and controls are furnished by the equipment manufacturer.

Electrical Code: All motor controls and wiring shall conform to the National Electrical Code (Article 670 or other applicable articles) as published by the National Fire Protection Association and as approved by the American Standards Institute, Inc.

A) Control stations should be so arranged and located that the operation of the equipment is visible from them, and shall be clearly marked or labeled to indicate the function controlled.

B) A conveyor which would cause injury when started shall not be started until employees in the area are alerted by a signal or by a designated person that the conveyor is about to start.

When a conveyor would cause injury when started and is automatically controlled or must be controlled from a remote location, an audible device shall be provided which can be clearly heard at all points along the conveyor where personnel may be present. The warning device shall be actuated by the controller device starting the conveyor and shall continue for a required period of time before the conveyor starts. A flashing light or similar visual warning may be used in conjunction with or in place of the audible device if more effective in particular circumstances.

Where system function would be seriously hindered or adversely affected by the required time delay or where the intent of the warning may be misinterpreted (i.e., a work area with many different conveyors and allied devices), clear, concise, and legible warning shall be provided. The warning shall indicate that conveyors and allied equipment may be started at any time, that danger exists, and that personnel must keep clear. The warnings shall be provided along the conveyor at areas not guarded by position or location.

C) Remotely and automatically controlled conveyors, and conveyors where operator stations are not manned or are beyond voice and visual contact from drive areas, loading areas, transfer points, and other potentially hazardous locations on the conveyor path not guarded by location, position, or guards, shall be furnished with emergency stop buttons, pull cords, limit switches, or similar emergency stop devices.

All such emergency stop devices shall be easily identifiable in the immediate vicinity of such locations unless guarded by location, position, or guards. Where the design, function, and operation of such conveyor clearly is not hazardous to personnel, an emergency stop device is not required.

The emergency stop device shall act directly on the control of the conveyor concerned and shall not depend on the stopping of any other equipment. The emergency stop devices shall be installed so that they cannot be overridden from other locations.

D) Inactive and unused actuators, controllers, and wiring should be removed from control stations and panel boards, together with obsolete diagrams, indicators, control labels, and other material which serve to confuse the operator.

SAFETY DEVICES

A) All safety devices, including wiring of electrical safety devices, shall be arranged to operate in a "Fail-Safe" manner, that is, if power failure or failure of the device itself would occur, a hazardous condition must not result.

B) Emergency Stops and Restarts. Conveyor controls shall be so arranged that, in case of emergency stop, manual reset or start at the location where the emergency stop was initiated, shall be required of the conveyor(s) and associated equipment to resume operation.

C) Before restarting a conveyor which has been stopped because of an emergency, an inspection of the conveyor shall be made and the cause of the stoppage determined. The starting device shall be locked out before any attempt is made to remove the cause of stoppage, unless operation is necessary to determine the cause or to safely remove the stoppage.

Refer to ANSI Z244.1-1982, American National Standard for Personnel Protection – Lockout/Tagout of Energy Sources – Minimum Safety Requirements and OSHA Standard Number 29 CFR 1910.147 "The Control of Hazardous Energy (Lockout/Tagout)."

• Belt Tracking

PRE-TRACKING INSPECTION

Before attempting to physically track the belt:

1. Make sure all bed sections are square. See information on "Racked Sections", Page 5.
2. Make sure conveyor is level across the width and length of unit. Adjust supports as necessary.
3. Make sure all pulleys, return idlers, and snub idlers are square with conveyor bed. (Figures 6A thru 7B). Dimension "A" should be equal on both sides of unit.
4. Make sure belt has been properly threaded through conveyor. See "Belt Installation", Page 5.

IMPORTANT: When belt tracking adjustments are made, they should be minor (1/16 in. at a time on idlers, etc., should be sufficient).

Give the belt adequate time to react to the adjustments. It may take several complete revolutions around the conveyor for the belt to begin tracking properly on long, slow conveyor lines.

A) Stand at tail pulley looking toward drive and note what direction belt is traveling.

B) Having observed belt and determined tracking problem, follow procedures in "How to Steer The Belt", See Figure 7A.

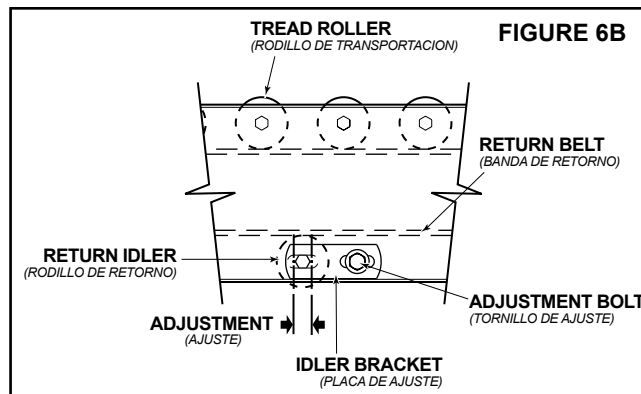
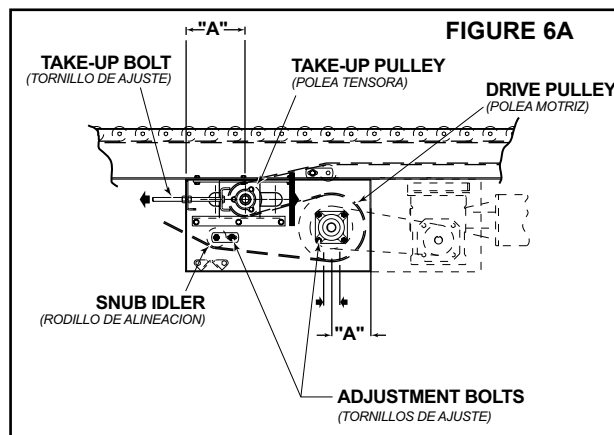
HOW TO STEER THE BELT

Condition 1. . . . When the belt is running in the direction (FLOW) with the arrow, but tracking (drifting) towards Side "X", move the Snub Idler nearest the INFEED end of Side "X" towards the DISCHARGE end of the conveyor.

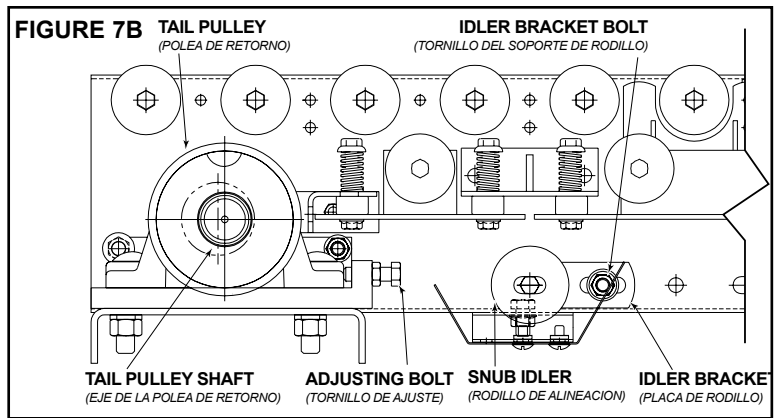
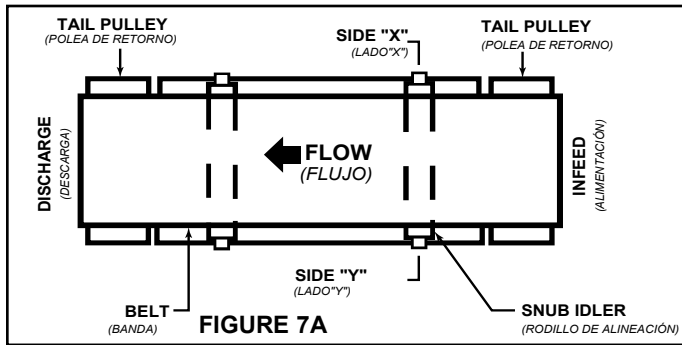
Condition 2. . . . When the belt is running in the direction (FLOW) with the arrow, but tracking (drifting) towards Side "Y", move the Snub Idler nearest the INFEED end of Side "X" towards the DISCHARGE end of the conveyor.

If Belt Direction (FLOW) is reversed, all the above conditions will remain the same as in Figure 7A, **except you are now viewing the conveyor from the opposite end.**

If belt continues to track improperly, re-check all items covered in "Pre-Tracking Inspection" and make corrections as necessary.



• Belt Tracking



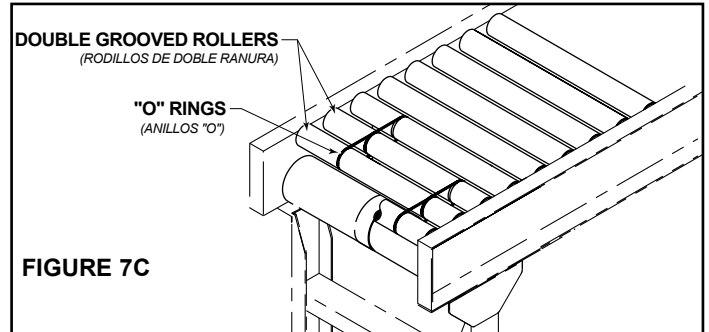
• Tread Roller Installation

In order to thread the belt through the conveyor, some of the tread rollers were removed. Reinstall all tread rollers that may have been removed. To drive the end rollers, they are connected with "O"-Rings as shown in Figure 7C. Note that the four end rollers have two grooves.

CAUTION!

Only trained personnel should track conveyor belt which must be done while conveyor is in operation. All guards should be in place while tracking conveyor belt

NOTE: In all conditions, you are viewing the Conveyor Belt from the INFEED end. All corrections will be made from the INFEED end of conveyor.



• Sequence of Operation

The Model ABEZ is made up of a series of accumulation zones, each zone having an EZLogic® zone controller, a pressure frame to apply and remove drive, and a pneumatically operated brake which stops four tread rollers.

LOADING THE CONVEYOR (Figure 7D)

1. Beginning with the conveyor "empty," and the zone stop signal to the discharge controller "active," a load placed on the conveyor continues forward until it reaches the discharge zone (Zone #1).

If two or more loads are placed on the conveyor with a space of less than one zone length between them, the loads will singulate (separate) during the first few feet of travel on the conveyor, until a space approximately equal to one zone length exists between all loads.

2. When load #1 activates controller "A", Zone #1 stops driving. A signal is sent to Zone #2 indicating that Zone #1 is occupied (Figure 7D).

3. When load #2 activates controller "B", Zone #2 stops driving. A signal is sent to Zone #3 indicating that Zone #2 is occupied.

4. The above sequences are repeated until the conveyor is fully loaded.

UNLOADING THE CONVEYOR

1. Releasing load #1 is accomplished by "de-activating" the zone stop signal to the discharge zone (Refer to the "Zone Stop Connections" section on page 23). This restores power to the tread rollers in zone #1. Load #1 will then move forward, causing a gap between itself and load #2 (Figure 7E).

2. When load #1 clears controller "A", load #2 will then move forward, creating a gap between itself and load #3.

3. This sequence will continue as long as the preceding load continues to move forward.

• EZLogic® System

EZLogic® Accumulation System Connections

The Model ABEZ is equipped with the EZLogic® accumulation system. The following basic information may be used as a guide during the installation and initial setup of the conveyor. For detailed information about EZLogic® system components, options, functions, and programming, please refer to the EZLogic® Generation 3 Component Manual.

Each EZLogic® zone controller is equipped with sealed connectors for zone-to-zone communication, solenoid output, and zone stop connections (Figure 8B). These connections are described in the following sections.

ZONE CONNECTIONS

Each zone has a cordset terminated with a female micro-connector and a male micro-connector. This cordset provides power to all the controllers on the conveyor as well as communication between controllers (Figure. 8A).

All controllers are mounted and connected at the factory within each conveyor section. Connections between sections are made at installation. (See Conveyor Set-Up, page 4). The cordset from one controller is always connected to the cordset on the upstream side of it. This is the way the controllers know which direction product is flowing.

The cordset on the infeed end of the conveyor is simply bundled and tied in the

FIGURE 7D

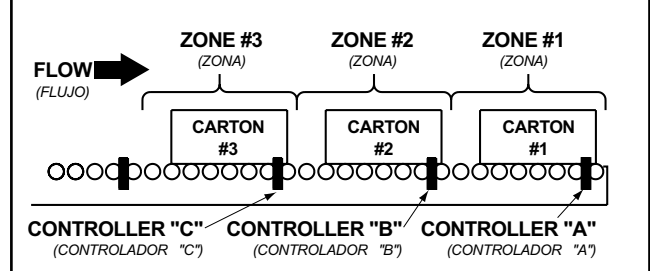
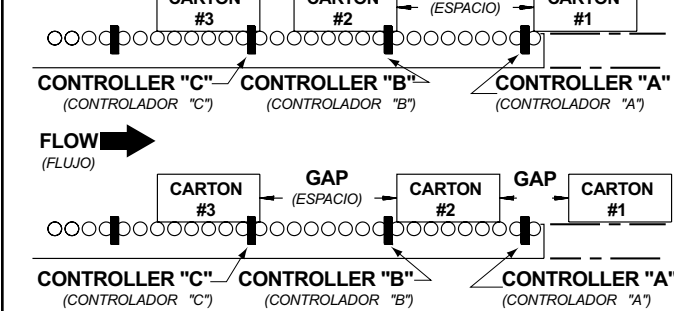


FIGURE 7E



accumulation channel and is not connected. The infeed cordset may be replaced with an infeed zone terminator (P/N 032.550). Protective caps are provided to seal unused connectors.

An optional conveyor-to-conveyor connector is required when two conveyors are joined end-to-end. Please refer to the EZLogic® Generation 3 Component Manual for more information.

SOLENOID CONNECTIONS

Each zone controller has a built-in cable to provide a zone drive/no drive output to the solenoid air valve operating the zone. This cable is terminated with a female Pico-style sealed snap-lock connector. Connection is made by pushing the cable connector onto the corresponding male connector of the valve until it snaps in.

Please note that this output is only to be used to operate the zone mechanism of the conveyor. It is not to be used as an output signal to other control devices. If a control output is needed, an optional auxiliary module with I/O should be used. Please refer to the EZLogic® Generation 3 Component Manual for more information.

AUXILIARY CONNECTIONS

Every EZLogic® zone controller is equipped with an auxiliary port. This connector can be used to accept either a zone stop signal, a slug input signal,

or a zone wake-up signal by simply connecting an auxiliary input cable to the auxiliary port and then wiring the two wires of the cable to any "dry contact" type switching device, such as a toggle switch or relay. No other components are required. The default setting is for a zone stop signal. To use the signal for slug input or zone wake-up, program the zone controller as detailed in the "EZLogic® Generation 3 Component Manual."

Note! Do not apply a voltage to these wires, or wire more than one zone controller to any one contact.

Closing the zone stop contacts will place the EZLogic® controller into "accumulate" mode. The next carton to activate the controller will be stopped and held in the "stop zone" until the contact is opened.

The zone stop feature is used on all conveyors to control the release of product from the discharge zone. Other zones may be wired for this feature at any time.

SLUG MODE CONNECTIONS

The EZLogic® accumulation system provides two modes of accumulation which are user-selectable: Singulation mode and Slug mode. (For descriptions of the sequence of operation for each mode, refer to the "Sequence of Operation" section on page 7.) The desired mode of operation may be programmed into the accumulation modules at installation (refer to the "EZLogic® Generation 3 Component Manual" for details). If the users wishes to be able to alternate between singulation mode and slug mode "on-the-fly," an optional Auxiliary Input Cable (Hytrol P/N 032.563) may be used. The default mode is singulation mode. If the user desires to operate the conveyor in slug mode, or if the user wishes to be able to alternate between the two modes as needed, the following procedures should be used.

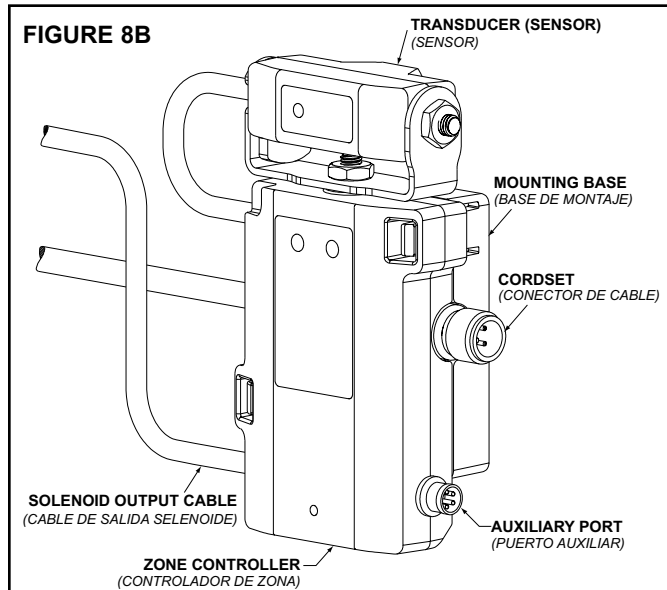
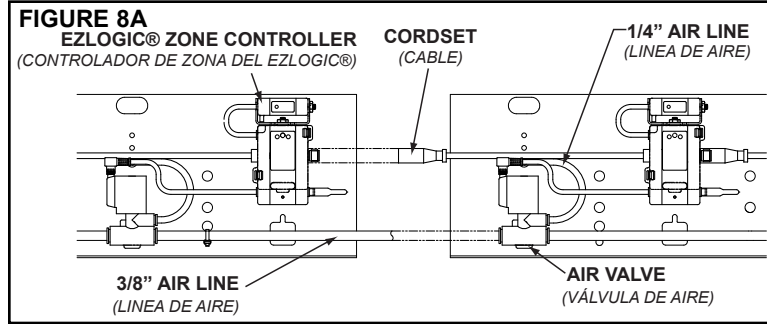
SLUG MODE ONLY

Program the zone controllers to operate in "slug mode only" as detailed in the "EZLogic® Generation 3 Component Manual".

SELECTABLE SINGULATION/SLUG

1. Install an Auxiliary Input Cable (Hytrol P/N 032.563) on any zone controller of the conveyor. The cable attaches to the auxiliary port on the controller (see Figure 8B).
2. Program the zone controller to accept a slug signal. (Refer to the EZLogic Generation 3 Component Manual for details.)
3. Connect the two wires of the Auxiliary Input Cable to any "dry contact" type switching device, such as a toggle switch or relay.
4. With the switch contacts open, the conveyor will be in singulation mode. When the switch is closed, the conveyor is in slug mode.

Note: Do not apply a voltage to these wires, or wire more than one module to any one contact.

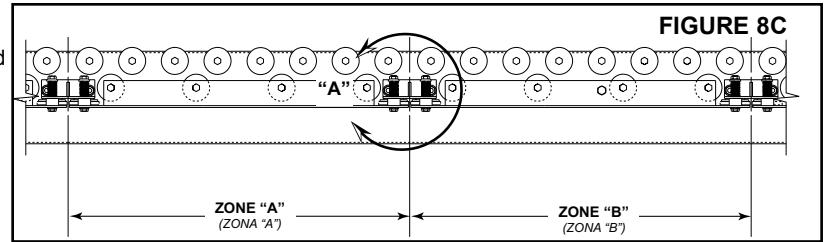
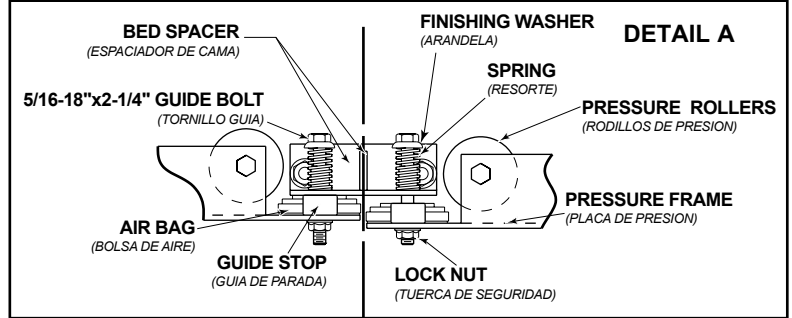


• Pressure Adjustment

The Model ABEZ is equipped with spring-loaded pressure frames to apply the driving force between the belt and tread rollers. Although the conveyor has been adjusted at the factory, it may be necessary to make field adjustments from time to time. If the belt is moving but the tread rollers are not turning, follow the steps below to adjust each zone.

1. With Zone Driving, make sure pressure frame is set properly (Figure 8C).
2. If not, tighten guide bolt only enough to bring guide stop in contact with bed spacer (Detail A). Tightening beyond this point will not increase drive.

CAUTION! Do not attempt to adjust conveyor until it has been test run. See trouble Shooting Guide for definition and solution to problems.



OPERATION

• Conveyor Start-Up

Before conveyor is turned on, check for foreign objects that may have been left inside conveyor during installation. These objects could cause serious damage during start-up.

After conveyor has been turned on and is operating, check motors, reducers, and moving parts to make sure they are working freely.

CAUTION! Because of the many moving parts on the conveyor, all personnel in the area of the conveyor need to be warned that the conveyor is about to be started.

MAINTENANCE

• Lubrication

The drive chain is pre-lubricated from the manufacturer by a hot dipping process that ensures total lubrication of all components. However, continued proper lubrication will greatly extend the useful life of every drive chain.

Drive Chain lubrication serves several purposes including:

- Protecting against wear of the pin-bushing joint
- Lubricating chain-sprocket contact surfaces
- Preventing rust or corrosion

For normal operating environments, lubricate every 2080 hours of operation or every 6 months, whichever comes first. Lubricate with a good grade of non-detergent petroleum or synthetic lubricant (i.e., Mobile 1 Synthetic). For best results, always use a brush to generously lubricate the chain. The proper viscosity of lubricant greatly affects its ability to flow into the internal areas of the chain. Refer to the table below

Ambient Temperature Degrees F	SAE	ISO
20-40	20	46 or 68
40-100	30	100
100-120	40	150

for the proper viscosity of lubricant for your application.

The drive chain's lubrication requirement is greatly affected by the operating conditions. For harsh conditions such as damp environments, dusty environments, excessive speeds, or elevated temperatures, it is best to lubricate more frequently. It may

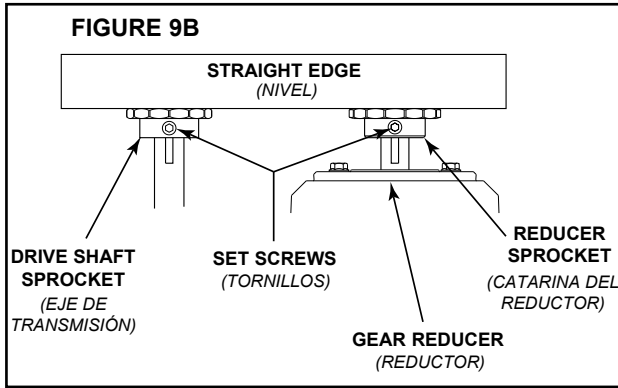
be best, under these conditions, to develop a custom lubrication schedule for your specific application. A custom lubrication schedule may be developed by inspecting the drive chain on regular time intervals for sufficient lubrication. Once the time interval is determined at which the chain is not sufficiently lubricated, lubricate it and schedule the future lubrication intervals accordingly.

• Drive Chain Alignment and Tension

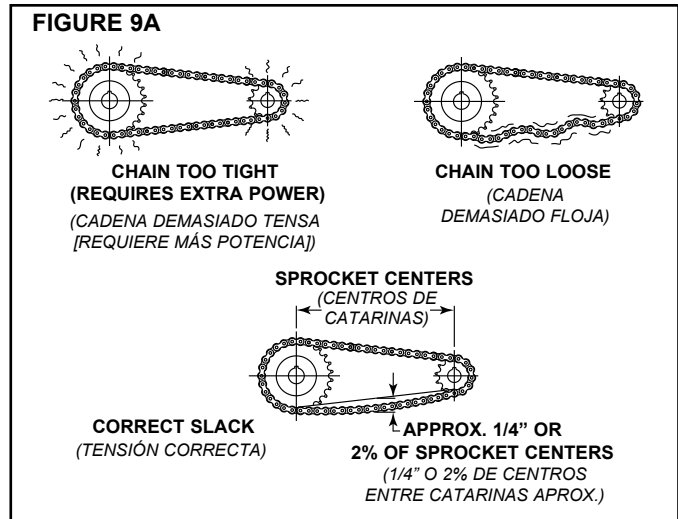
The drive chain and sprockets should be checked periodically for proper tension and alignment. Improper adjustment will cause extensive wear to the drive components.

TO MAKE ADJUSTMENTS

1. Remove chain guard.
2. Check sprocket alignment by placing a straightedge across the face of both sprockets (Figure 9B).
3. Loosen set screws and adjust as needed. Re-tighten set screws.
4. To adjust chain tension, loosen bolts that fasten motor base to mounting angles, both sides of the conveyor. Tighten take-up bolts until desired chain tension is reached. (Figures 9A). Re-tighten mounting bolts.
5. Lubricate chain per lubrication instructions.
6. Replace chain guard so that it does not interfere with drive.



CAUTION! Never remove chain guards while the conveyor is running. Always replace guards after adjustments are made.



TROUBLE SHOOTING:

The following chart list possible problems that may occur in the operation of the conveyor.

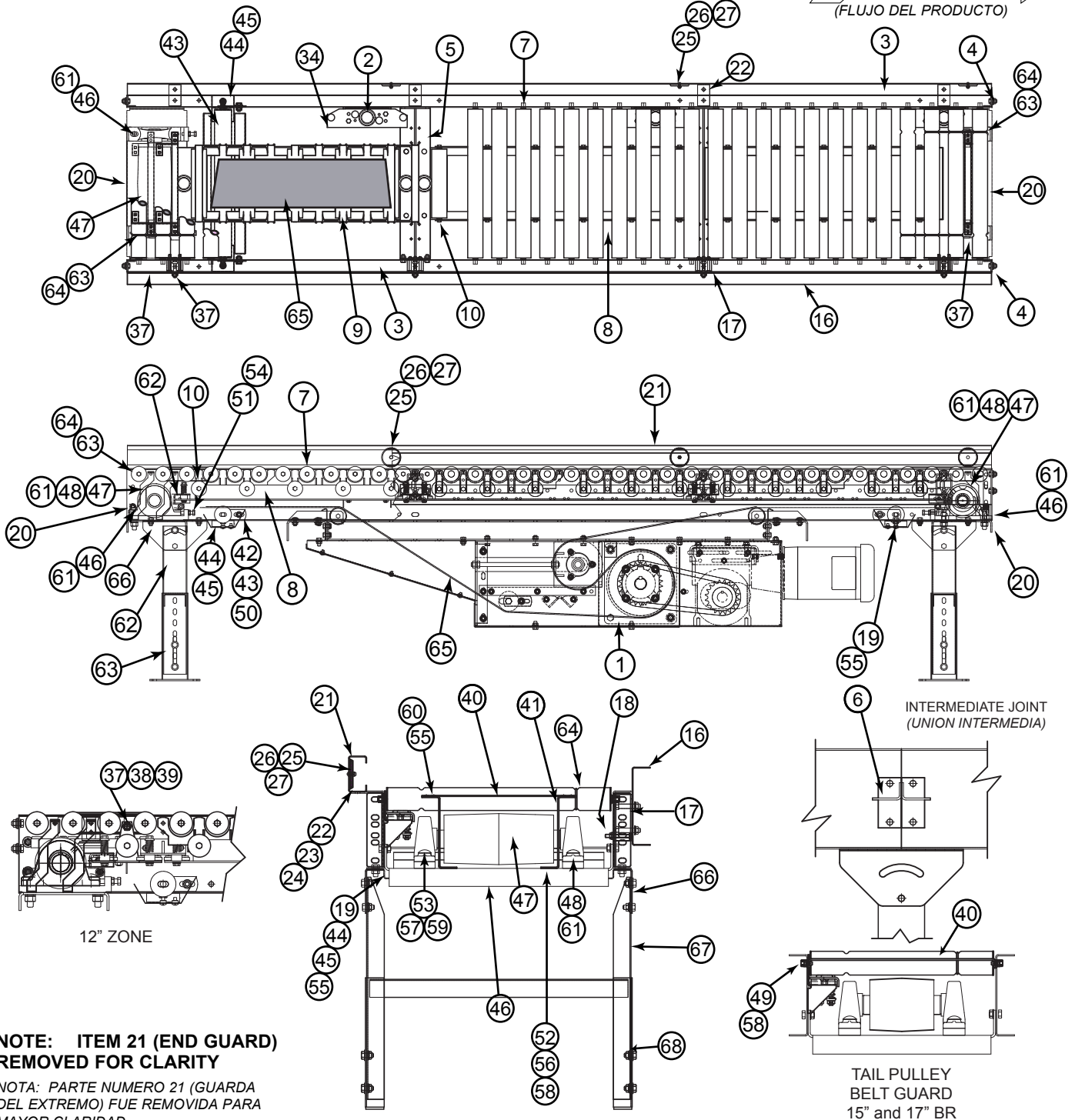
	TROUBLE	CAUSE	SOLUTION
Drives	Conveyor will not start or motor quits frequently.	1) Motor is overloaded or drawing too much current.	1) Check for overloading of conveyor. 2) Check heater or circuit breaker and change if necessary.
	Drive chain and sprockets wear excessively.	1) Lack of lubrication on chain causing chain stretch which creates improper chain to sprocket mesh. 2) Sprockets are out of alignment. 3) Improper chain tension.	1) Replace chain and sprockets. Provide adequate lubrication. 2) Align sprockets. (See "Drive Chain Alignment and Tension"). 3) See "Drive Chain Alignment and Tension".
	Loud popping or grinding noise in bearing.	1) Defective bearing. 2) Loose set screw. 3) Loose Drive Chain	1) Replace bearing. 2) Tighten set screw. 3) Tighten Chain.
	Motor or reducer overheating.	1) Conveyor is overloaded. 2) Low voltage to motor. 3) Low lubricant level in reducer.	1) Check capacity of conveyor and reduce load to recommended level. 2) Have electrician check and correct as necessary. 3) Relubricate per manufacturer's recommendations. For HYTROL reducer, refer to separate manual.
	Belt doesn't move, but drive runs.	1) Conveyor is Overloaded. 2) Belt is too loose. 3) Lagging on drive pulley is worn.	1) Reduce load. 2) Use belt take-up to tighten belt. 3) Replace the drive pulley lagging and tighten belt.
Belt Tracking	Belt creeps to one side at tail pulley.	1) Tail pulley, return idler, or snub idler near tail pulley not properly aligned or square bed .	1) Adjust as necessary. See "Belt Tracking" pre-tracking inspection in this manual on how to square tail pulley, snub idler, and return idler.
	Entire belt creeps to one side.	1) Conveyor not straight. 2) Conveyor not level. 3) Material build-up on roller, pulleys, or idlers.	1) Re-align bed sections as necessary. 2) Correct as necessary. 3) Remove residue and install belt cleaners or scrappers if possible.
	Product will not accumulate on one or more zones.	1) Air line is kinked. 2) Cordset disconnected. 3) Solenoid cable disconnected. 4) Solenoid valve not working. 5) Zone Controller not working.	1) Unlink air line. 2) Reconnect cable. 3) Reconnect cable. 4) Repair/replace solenoid valve. 5) Replace controller.
Accumulation	No zone will accumulate. Conveyor becomes live-roller.	1) Power loss to Zone Controllers. 2) Air loss to entire conveyor.	1) Check power supply. 2) Check air supply.
	Zone will not drive.	1) Controller lens dirty. 2) Reflector missing or damaged.	1) Clean lens. 2) Replace reflector.
	Zone will not "sleep".	1) "Sleep" feature disabled. 2) Upstream zone is blocked.	1) Set "Sleep" to "Enable". 2) Unblock Zone.

Use code **HYPMANUAL** for free shipping on your first order at HytrolParts.com

• Model ABEZ Parts Drawing

Dibujo de Partes del Modelo ABEZ

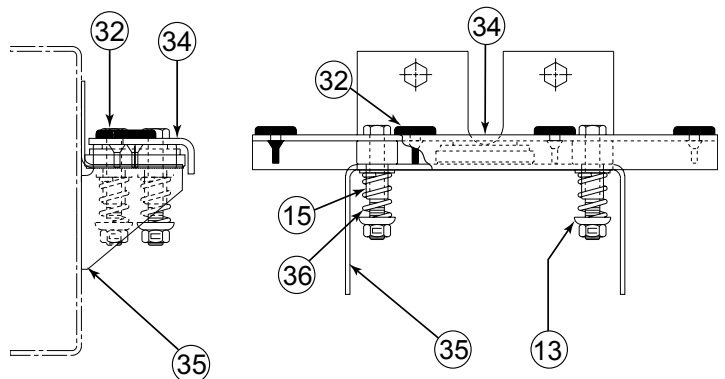
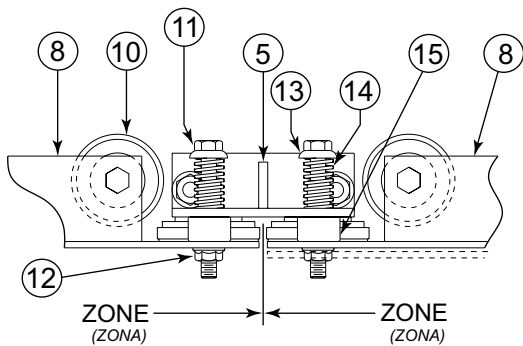
PRODUCT FLOW
(FLUJO DEL PRODUCTO) →



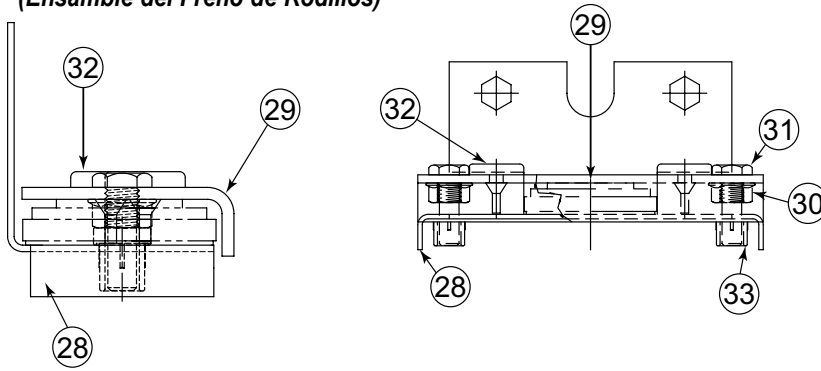
NOTE: ITEM 21 (END GUARD) REMOVED FOR CLARITY

NOTA: PARTE NUMERO 21 (GUARDA DEL EXTREMO) FUE REMOVIDA PARA MAYOR CLARIDAD

• 4 Roller Brake Assembly (Ensamble del Freno de Rodillos)



• 2 Roller Brake Assembly (Ensamble del Freno de Rodillos)



• Model ABEZ Parts List *Dibujo de Partes del Modelo ABEZ*

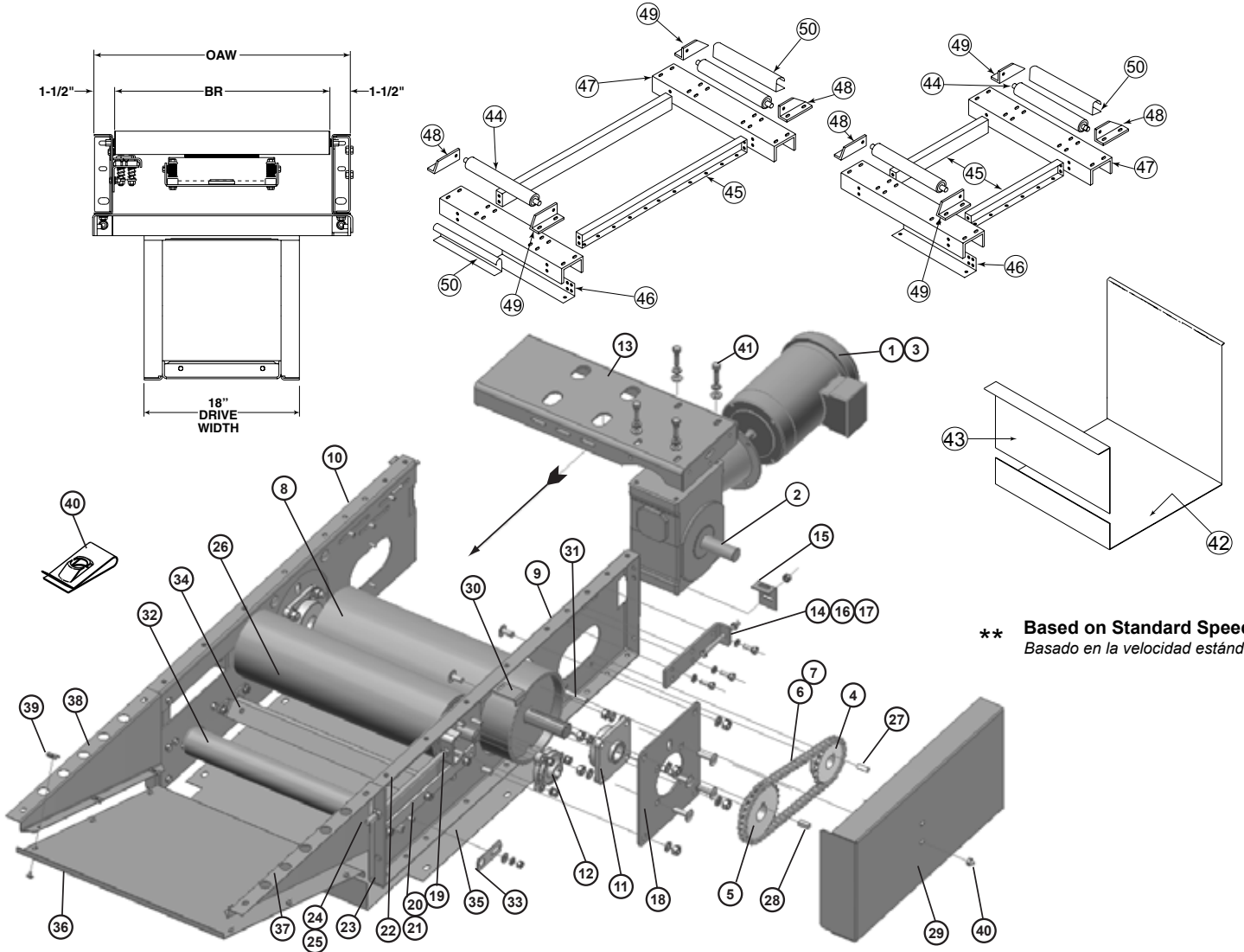
Ref. No.	Part No.	Description
1	—	Drive Assembly (See Page 40)
2	—	Pneumatic Parts (See Page 41)
3	—	Frame Channel - 3 in. Roller Centers
—	PT-054684	1 ft. Long (12 in. Zones)
—	PT-054685	1 ft. 6 in. Long (18 in. Zones)
—	PT-054686	2 ft. Long (12/24 in. Zones)
—	PT-054687	2 ft. 6 in. Long (30 in. Zones)
—	PT-054688	3 ft. Long (12/18/36 in. Zones)
—	PT-054689	4 ft. Long (12/24 in. Zones)
—	PT-054690	4 ft. 6 in. Long (18 in. Zones)
—	PT-054691	5 ft. Long (12/30 in. Zones)
—	PT-054692	6 ft. Long (12/18/24/36 in. Zones)
—	PT-054693	7 ft. Long (12 in. Zones)
—	PT-054694	7 ft. 6 in. Long (18/30 in. Zones)
—	PT-054695	8 ft. Long (12/24 in. Zones)
—	PT-054696	9 ft. Long (12/18/36 in. Zones)
—	PT-054697	10 ft. Long (12/24/30 in. Zones)
4	B-03191	Butt Coupling
5	B-21856	Center Bed Spacer (Specify BR)
6	B-21858	End Bed Spacer (Specify BR)
7	B-01982	1.9 in. Dia. Tread/Return Roller (Specify BR)
8	—	Pressure Frame
—	PT-048420	12 in. Zone Length (Pulley Zone)
—	B-13074-012	12 in. Zone Length
—	B-13074-018	18 in. Zone Length
—	B-13074-024	24 in. Zone Length
—	B-13074-030	30 in. Zone Length
—	B-13074-036	36 in. Zone Length
9	—	Belt Guard
—	093.219	12 in. Plastic Belt Guard
—	MD-001639	12 in Zone 4 Roller
—	093.220	18 in. Plastic Belt Guard
10	B-12732	1.9 in. Pressure Roller - 9 in BR
11	040.2033	Hex Head Cap Screw - 5/16-18 x 2 1/4 in Lg.
12	041.501	Hex Locknut - 5/16 in.
13	043.401	Finishing Washer - 1/4 in.
14	093.1285	Spring
15	099.258	Guide Stop
16	B-20507	Accumulation Channel (Specify Length)
17	B-22629	Accumulation Channel Mounting Block Kit
18	040.104	Hex Head Cap Screw - 1/4-20 x 2 in. Lg.
19	049.310	U-Type Speed Nut - 1/4-20
20	B-09799	End Guard (Specify OAW)
21	B-20508	Reflector Channel (Specify Length)
22	B-20601	Reflector Angle
23	040.1005	Hex Head Cap Screw - 1/4-20 x 1/2 in Lg.
24	049.527	Small Flange Locknut - 1/4-20
25	032.218	Reflector
26	041.802	#10-24 NC 2 B Hex Locknut Nylon Insert
27	042.1018	#10-24 x 5/8 in. Lg. Round Head Machine Screw
28	PT-054757	Brake Mounting Bracket - 2 Roller
29	PT-054570	Brake Pad - 2 Roller
30	049.5285	Small Flange Locknut - 3/8-16
31	049.620	Guide Bolt
32	099.255	Bumper

Ref. No.	Part No.	Description
33	099.259	Guide Bushing
34	B-14223	Brake Pad - 4 Roller
35	B-21741	Brake Mounting Bracket - 4 Roller
36	093.106	Spring
37	B-05477	Threaded Section Spacer 12 in Zone Length for Pulley Zone
38	040.350	Hex Head Cap Screw - 7/16 14 x 3/4 in Long
39	043.2017	Split Lock washer - 7/16 in. ID.
40	—	Tail Pulley Belt Guard
—	PT-115534	15 in and 17 in BR (Specify BR)
—	PT-069195	19 in 1 39 in BR
41	PT-069194	Support Bracket 19 in - 39 in BR
42	B-00944	Idler Mounting Bracket - 7/16 in. Hex
43	B-03894	2-1/8 in. O.D. Roller (Specify BR)
44	B-12758	Snub Roller Guard (Specify BR)
45	PT-052739	Snub Roller Guard Mounting Bracket
46	PT-069193	Pulley Retainer Bracket (Specify BR)
47	WA-015334	Tail Pulley
48	010.303	Pillow Block Bearing - 1-7/16 in. Bore
49	040.1005	Hex Head Cap Screw - 1/4-20 x 1/2 in. Lg.
50	040.302	Hex Head Cap Screw - 3/8-16 x 3/4 in. Lg.
51	040.305	Full Thread Hex Bolt - 3/8-16 x 1-1/2 in. Lg.
52	041.100	Hex Nut - 1/4-20
53	041.103	Hex Nut - 1/2-13
54	041.200	Hex Jam Nut - 3/8-16
55	042.300	Truss Head Bolt - 1/4-20 x 1/2 in. Lg.
56	042.545	Carriage Bolt - 1/4-20 x 3/4 in. Lg.
57	042.5772	Carriage Bolt - 1/2-13 x 2-1/2 in. Lg.
58	043.200	Split Lockwasher - 1/4 in. I.D.
59	043.203	Split Lockwasher - 1/2 in. I.D.
60	049.527	Small Flange Locknut - 1/4-20
61	928.0007	Bearing Mount
62	WA-015316	End Bed Spacer - Pulley Zone (Specify BR)
63	—	1.9 in. Double Groove Roller (Specify BR)
—	SA-027307	15 in. BR
—	B-21914	17 in. - 32 in. (Specify BR)
64	090.2556	O-Ring - 1/8 in. Dia.
65	065.6005	Belt-Black Ultimate 140-SD 6 in. Wide (Specify Length)
66	—	MS Type Pivot Plate - 1-1/2 in. Flange
—	B-00913	3-11/16 in. High
—	B-02112	1-9/16 in. High
67	—	Floor Support Frame
—	B-00914	6 in. High (Specify OAW)
—	B-12777	7 in. High (Specify OAW)
—	B-12778	8 in. High (Specify OAW)
—	B-00915	9 in. High (Specify OAW)
—	B-00916	11-1/2 in. High (Specify OAW)
—	B-00917	14-1/2 in. High (Specify OAW)
—	B-02098	18-1/2 in. High (Specify OAW)
—	B-00919	22-1/2 in. High (Specify OAW)
—	B-00921	32-1/2 in. High (Specify OAW)
—	B-00923	44-1/2 in. High (Specify OAW)
—	B-00925	56-1/2 in. High (Specify OAW)
—	B-02107	68-1/2 in. High (Specify OAW)
—	B-02109	78-1/2 in. High (Specify OAW)
—	B-02111	90-1/2 in. High (Specify OAW)
68	B-00911	Adjustable Foot Assembly (Specify Length)

Use code **HYPMANUAL** for free shipping
on your first order at HytrolParts.com

• 8" Center Drive Assembly

Ensamble de la Unidad Motriz Central de 8"



** Based on Standard Speed
Basado en la velocidad estándar

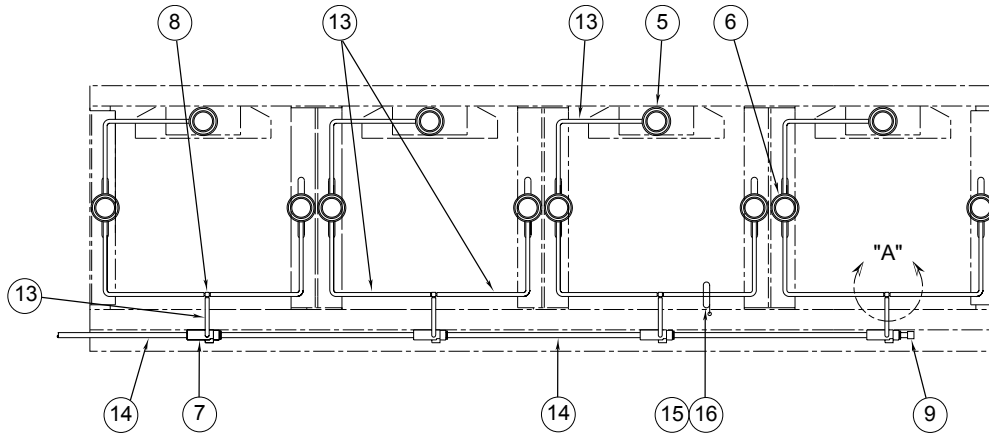
Ref. No.	Part No.	Description
1	—	Motor-C-Face
—	030.7134	1/2 HP—230/460 VAC—3 Ph.—60 Hz.—TEFC
—	030.7324	1 HP—230/460 VAC—3 Ph.—60 Hz.—TEFC
—	030.7534	2 HP—230/460 VAC—3 Ph.—60 Hz.—TEFC
2	—	Speed Reducer**
—	R-00153-30R	4AC—RH—30:1 Ratio
—	R-00164-30R	5AC—RH—30:1 Ratio
3	—	Coupling Kit-Motor To Reducer
—	B-09179-B	1/2 — 1 HP
—	B-09179-C	1-1/2 — 2 HP
4	—	Sprocket-Reducer**
—	028.133	50B14 x 1 in. Bore (4AC)
—	028.1342	50B16 x 1-1/4 in. Bore (5AC)
5	—	Sprocket—Drive Pulley**
—	028.13836	50B28x 1 7/16 in. Bore (4AC)
—	028.111523	50B32x 1 7/16 in. Bore (5AC)
6	029.101	#50 Riveted Roller Chain
7	029.201	Connector Link—#50 Roller Chain
8	SA-040301-018	8 in. Dia. Ctr. Dr. Pulley (Fully Lagged)
9	PT-089429-R	Drive Plate Assembly—RH
10	PT-089429-L	Drive Plate Assembly—LH
11	010.203015	4-Bolt Flange Bearing—1-7/16 in. Bore
12	010.103	3-Bolt Flange Bearing—1-3/16 in. Bore
13	WA-026619-018	Motor Base Weldment
14	PT-089434	Motor Base Take-up
15	PT-089438	Motor Base Take-up Angle
16	040.313	Motor Base Take-Up Bolt—3/8-16 x 5 in. Long
17	041.300	Motor Base Hex Jam Nut—Heavy-3/8-16
18	PT-090795	Bearing Plate Center Drive
19	WA-027027	Take-Up Plate Weldment
20	PT-089435	Bearing Guide Spacer
21	PT-089436	Bearing Guide

Ref. No.	Part No.	Description
22	PT-089437	Upper Bearing Guide
23	PT-090368	Take-Up Angle
24	044.116011	Take-Up Bolt—1/2-13 x 11 in. Long
25	041.201	Hex Jam Nut—1/2-13
26	WA-27034-018	6 in. Dia. Take-Up Pulley
27	090.203	Shaft Key—1/4 in. Sq. x 1 in. Long
28	090.204	Shaft Key—3/8 in. Sq. x 1 in. Long
29	PT-089430	Chain Guard
30	PT-092699	Guard Bracket
31	040.3125	Hex Head Cap Screw 3/8-16 x 4 1/2 in. Long
32	B-17254-015	2-1/2 in. Dia. Heavy Duty Snub Idler
33	B-04842	11/16 in. Hex Idler Bracket
34	B-03916-0240H	Bed Spacer (Specify Drive Width)
35	PT-090465-018	Bottom Guard
36	B-08337-018	Bottom Angle Guard
37	B-08338-R	Side Guard-RH
38	B-08338-L	Side Guard-LH
39	049.310	U-Type Speed Nut-1/4-20
40	041.919	Acorn Nut, 3/8-16
41	049.503	Hardened Hex Bolt, 3/8-16 x 1 in. Long
42	PT-090465-018	Bottom Guard - Short
43	PT-091785-018	Front Guard
44	B-03894-096	2-1/8 in. O.D. Roller Assembly
45	—	Drive Attachment Side Channel Weldment
—	B-12743	Short Drive Guard
—	B-12744	Long Drive Guard
46	PT-048145-015	Mounting Angle
47	PT-048144	Cross Channel (Specify BR)
48	PT-054575-R	RH Snub Roller Bracket
49	PT-054575-L	LH Snub Roller Bracket
50	PT-054572-015	Snub Roller Guard

• Pneumatic Parts Drawing

Dibujo de Partes Neumáticas

PRODUCT FLOW
(FLUJO DEL PRODUCTO)

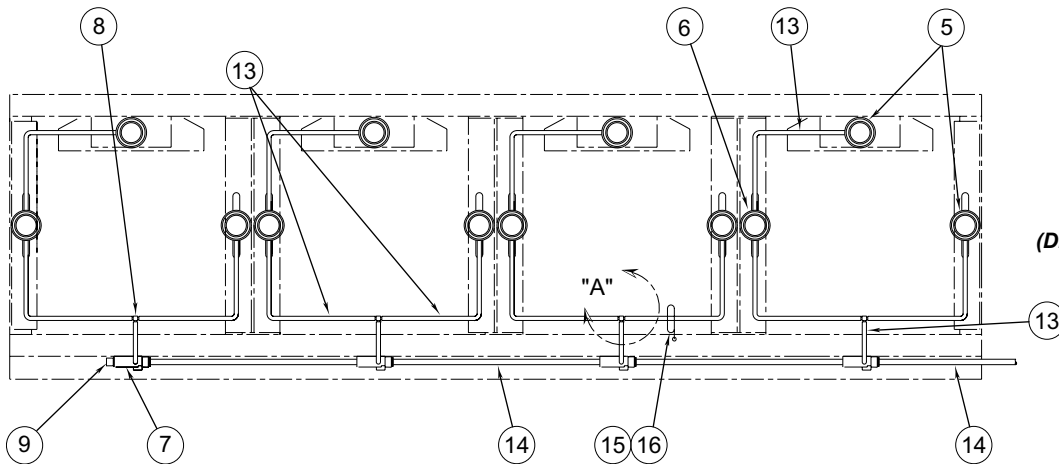
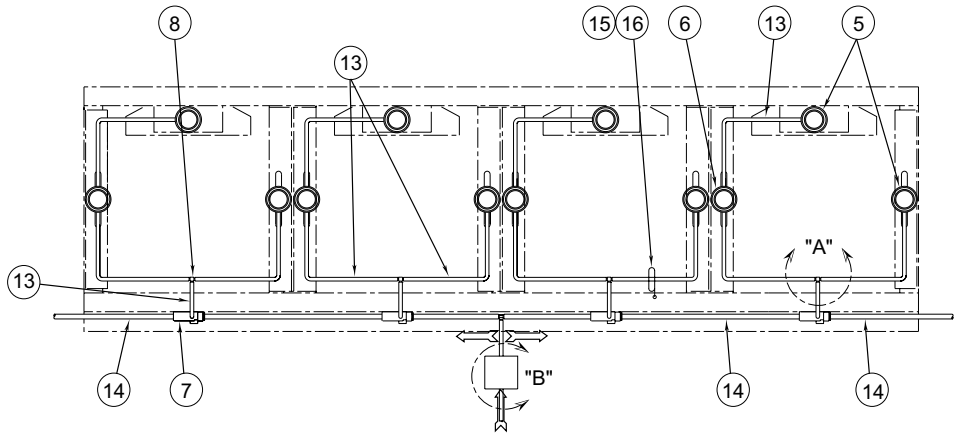


**INFEEED SECTION
PLUMBING DIAGRAM**

(DIAGRAMA DE LINEAS DE AIRE DE LA SECCION DE CARGA)

**INTERMEDIATE SECTION
PLUMBING DIAGRAM**

(DIAGRAMA DE LINEAS DE AIRE DE LA SECCION DE INTERMEDIA)

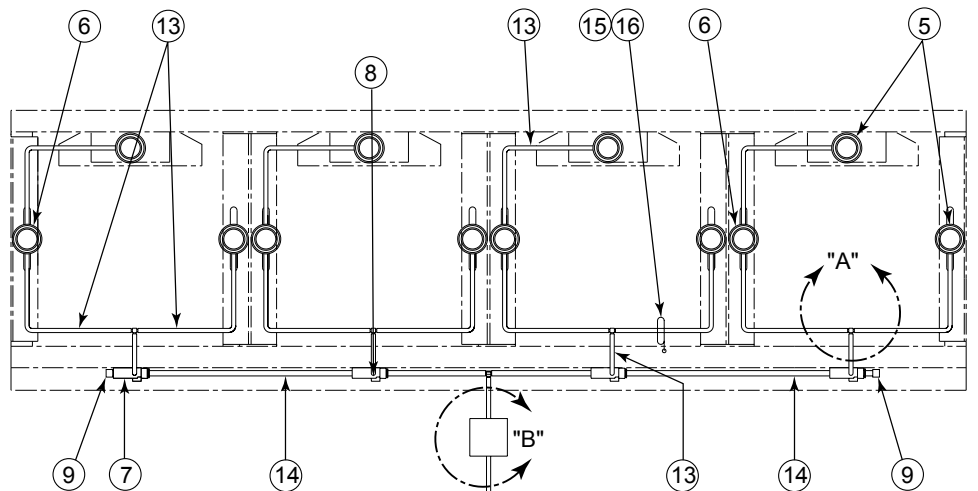


**DISCHARGE SECTION
PLUMBING DIAGRAM**

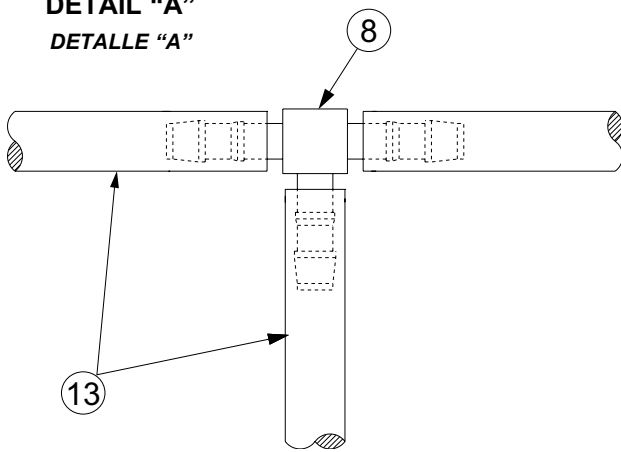
(DIAGRAMA DE LINEAS DE AIRE DE LA SECCION DE DESCARGA)

**COMPLETE SECTION
PLUMBING DIAGRAM**

(DIAGRAMA DE LINEAS DE AIRE DE LA SECCION COMPLETA)

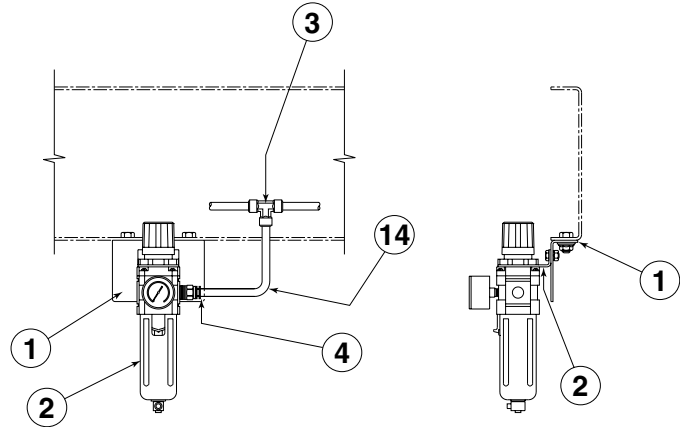


DETAIL "A"
DETALLE "A"



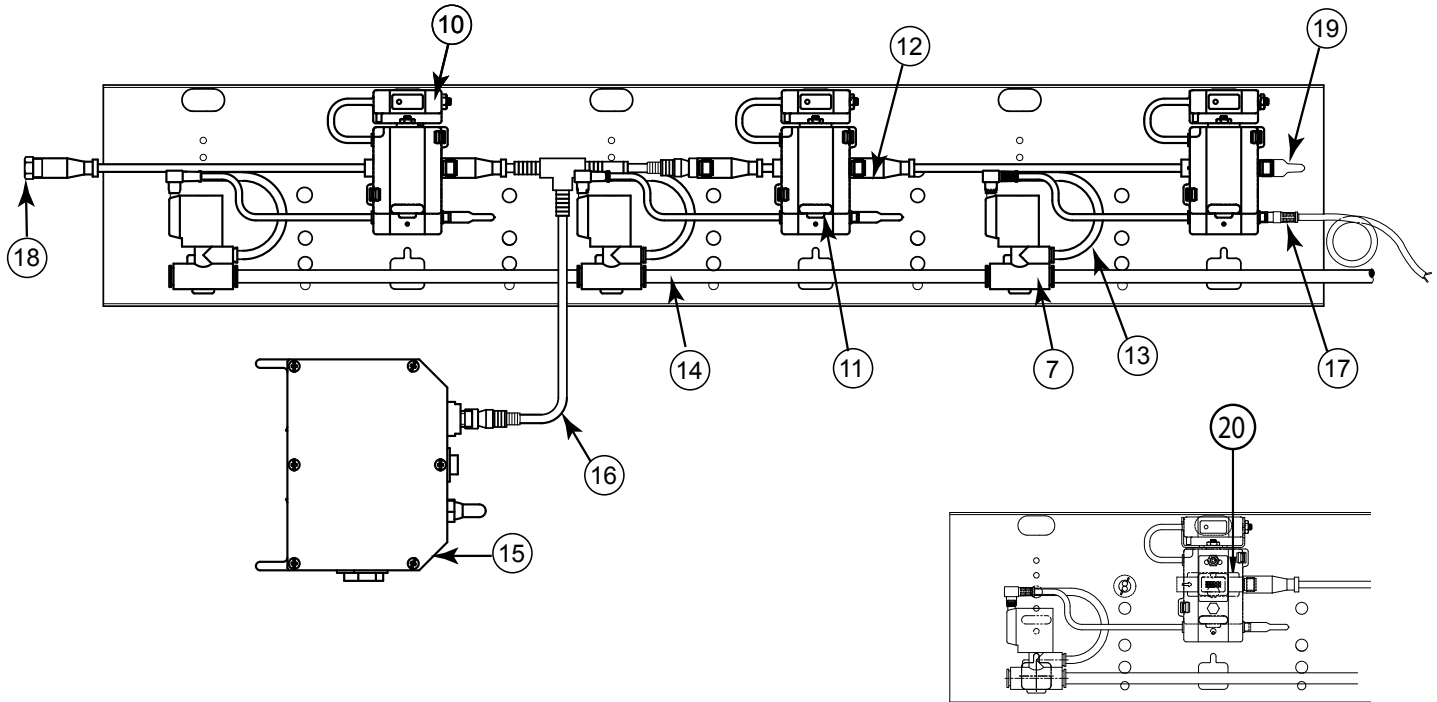
DETAIL "B"
FRL WITH GAUGE AND RELIEF VALVE

DETALLE "B"
FILTRO/REGULADOR CON MEDIDOR Y VALVULA DE ESCAPE



• Accumulation Detail

DETALLE DE ACUMULACIÓN



Ref. No.	Part No.	Description
1	B-11302	Mounting Bracket for Filter/Regulator
2	094.194	Filter/Regulator with Gauge
3	094.14093	Brass Union Tee—3/8 in. Plastic to 3/8 in. NPTF
4	094.1403	Brass Straight Conn.—3/8 in. Plastic to 3/8 in. NPT
5	094.1077	Air Bag Assembly—Single Inlet
6	094.1076	Air Bag Assembly—Double Inlet
7	094.108345	Air Valve—3-Way Single Solenoid
8	094.1114	Plastic Union Tee—1/4 in. Barb
9	094.1485	Plug 3/8 in.
10	032.501	Unitized Zone Controller, Retroreflective
11	032.517	Base for Zone Controller
12	—	Cordset for Zone Controller
—	032.551	12" Zone Length
—	032.552	18" Zone Length
—	032.553	24" Zone Length

Ref. No.	Part No.	Description
—	032.554	30" Zone Length
—	032.555	36" Zone Length
—	032.556	48" Zone Length
—	032.557	60" Zone Length
—	032.558	72" Zone Length
13	094.11481	Plastic Tubing - 1/4" O.D. (Specify Length)
14	094.1149	Plastic Tubing - 3/8" O.D. (Specify Length)
15	032.582	IOP Module (Power Supply)
16	032.559	Power Supply T Cable
17	032.563	Auxiliary Input Cable, 1 Meter
18	032.010	Upstream Connector Cover
19	032.011	Downstream Connector Cover
20	032.550	Infeed Zone Terminator (optional)

Use code **HYPMANUAL** for free shipping on your first order at HytrolParts.com

ÍNDICE

INTRODUCCIÓN

Recepción y Desembalaje	15
Cómo Ordenar Refaccionamiento	15
INFORMACIÓN DE SEGURIDAD	16
INSTALACIÓN	
Instalación de Soportes	17
Instalación de Soportes a Techo	17
Montaje del Transportador	17
Secciones Descuadradas	18
Instalación de la Banda	18
Equipo Eléctrico	19
Alineación de la Banda	19, 20
Instalación de los Rodillos de Tracción	20
Secuencia de Operación	20
Sistema EZLogic®	21
Ajuste de Presión	22
OPERACIÓN	
Arranque del Transportador	22
MANTENIMIENTO	
Lubricación	22
Alineación y Tensión de la Cadena Motriz	23
Resolviendo Problemas	23
Lista de Mantenimiento Preventivo	Cubierta Posterior
PARTES DE REFACCIONAMIENTO	
Dibujo de Partes del Modelo ABEZ	10
Ensamble del Freno - 4 Rodillos	10
Ensamble del Freno - 2 Rodillos	11
Lista de Partes del Modelo ABEZ	11
Ensamble de la Unidad Motriz Central de 8"	12
Dibujo de Partes Neumáticas	13, 14
Detalles de Acumulación	14

INTRODUCCIÓN

Este manual proporciona información para instalar, operar y dar mantenimiento a su transportador. Se proporciona una lista completa de partes, con el refaccionamiento recomendado resaltado en gris. También se proporciona información importante de seguridad a lo largo de este manual. Para seguridad del personal y para un mejor funcionamiento del transportador, se recomienda que se lean y se sigan cada una de las instrucciones proporcionadas en este manual.

• Recepción y Desembalaje

1. Verifique el número de partes recibidas con respecto al conocimiento del embarque.
2. Examine las condiciones del equipo para determinar si algún daño ha ocurrido durante el transporte.
3. Traslade todo el equipo al área de instalación.
4. Remueva todos los empaques y verifique si hay partes adicionales que puedan estar sujetas al equipo. Asegúrese de que estas partes (u otras partes ajenas al equipo) sean removidas.

• Cómo Ordenar Refaccionamiento

En este manual encontrará dibujos de las partes con listas completas de las refacciones. Partes pequeñas, como tornillos y tuercas no están incluidos. Para ordenar refaccionamiento:

1. Contacte al representante que le vendió el transportador o el distribuidor de Hytrol más cercano.
2. Proporcione el Modelo del Transportador y el Número de Serie o Número de la Orden de Fabricación.
3. Proporcione el Número de las partes y descripción completa que aparece en la Lista de Partes.
4. Proporcione el tipo de motor. Ejemplo- Unidad Motriz en Extremo Final de 8", Unidad Motriz Central de 8", etc.
5. Si su equipo se encuentra en una situación crítica, comuníquese con nosotros inmediatamente.

NOTA: Si algún daño ha ocurrido o faltan partes, contacte a su integrador Hytrol.



**Refaccionamiento
Recomendado se
Resalta en Gris**

Número de Serie HYTROL
(Localizado cerca de la
Unidad Motriz en Modelos
motorizados).

INFORMACIÓN DE SEGURIDAD

• Instalación

PROTECCIÓN Y SEGURIDAD

Interfaz de los equipos. Cuando dos o más piezas de equipo son interconectadas, se deberá prestar especial atención a la zona de la interfaz para asegurar la presencia de guardas y dispositivos de seguridad adecuados.

Localización o posición. Para procurar la protección de los trabajadores ante los riesgos, todas las partes móviles expuestas de la maquinaria deberán ser aseguradas mecánicamente o eléctricamente, o protegidas mediante el cambio de localización o posición.

- La presencia alejada del público o empleado constituirá una medida de seguridad por ubicación.
- Cuando el transportador esté instalado sobre pasillos, corredores o estaciones de trabajo; se considera protegido únicamente por localización o posición si todas las partes en movimiento están mínimo a 8 pies (2,44 m) por encima del piso o área de tránsito. De otra manera se pueden ubicar de tal manera que los empleados no entren en contacto con partes móviles peligrosas sin querer.
- Aunque los transportadores aéreos pueden estar protegidos por su ubicación, deben proporcionarse guardas para evitar derrames: guardas laterales e inferiores; Esto si el producto puede caerse del transportador y así mantener al personal fuera de peligro.

ESPACIO LIBRE SUPERIOR

- Cuando los transportadores son instalados sobre pasillos, salidas o corredores; se deberá disponer de un espacio libre mínimo de 6 pies 8 pulgadas (2,032 m), medido verticalmente desde el suelo o mezanina a la parte más baja del transportador o de las guardas
- Cuando el funcionamiento del sistema sea afectado al guardar la distancia mínima de 6 pies 8 pulgadas (2,032 m), deberán autorizarse pasillos alternos de emergencia.
- Es posible permitir el paso bajo transportadores con menos de 6 pies 8 pulgadas (2.032 m) desde el piso, con excepción de las salidas de emergencia. Para esto se requiere una señalización apropiada que indique altura baja.

• Operación

A) Sólo los empleados capacitados están autorizados a operar los transportadores. El entrenamiento debe incluir: operación bajo condiciones normales y en situaciones de emergencia.

B) Cuando la seguridad de los trabajadores dependa de dispositivos de paro y/o arranque, tales dispositivos deben mantenerse libres de obstrucciones para permitir un acceso rápido.

C) El área alrededor de los puntos de carga y descarga deberá mantenerse libre de obstrucciones que puedan poner en peligro al personal.

D) Ninguna persona podrá viajar en el elemento de carga de un transportador sin excepción; al menos que esta persona esté específicamente autorizado por el propietario o el empleador. En esas circunstancias, el empleado deberá montarse solamente en un transportador que tenga incorporado en sus plataformas de estructura de soporte o estaciones de control especialmente diseñadas para el transporte de personal. Esto no es permisible en un transportador vertical.

E) El personal que trabaja con un transportador, o cerca de uno; debe ser notificado de la ubicación y operación de los dispositivos de paro pertinentes.

F) Un transportador debe ser usado únicamente para transportar el material que es capaz de cargar.

G) Las indicaciones de seguridad del transportador no deben ser alteradas bajo ninguna circunstancia, especialmente si esto pone en peligro al personal.

H) Las Inspecciones de rutina, así como el mantenimiento correctivo y preventivo deben ser llevados a cabo de modo que todos los dispositivos e indicaciones de seguridad sean respetados y funcionen adecuadamente.

I) El personal debe ser notificado del peligro potencial que puede ser causado en los transportadores debido al uso de cabello largo, ropa holgada y joyería.

J) Nunca se debe dar mantenimiento o servicio a un transportador mientras se encuentre en operación, a menos que el mantenimiento o servicio apropiado lo requiera. En este caso, el personal debe ser notificado del peligro que esto representa y de cómo se puede llevar a cabo el procedimiento de la manera más segura.

K) Los dueños de los transportadores deben asegurarse de que las etiquetas de seguridad se encuentren colocadas sobre el transportador, indicando los peligros que implica la operación de sus equipos.

• Mantenimiento

Todo mantenimiento, incluyendo lubricación y ajustes, debe ser llevado a cabo únicamente por personal entrenado y calificado.

Es importante que el programa de mantenimiento establecido asegure que todos los componentes del transportador reciban el mantenimiento en condiciones que no constituyan un peligro para el personal.

Cuando un transportador es detenido para propósitos de mantenimiento, los dispositivos de arranque y de potencia deben ser asegurados o etiquetados de acuerdo a un procedimiento formalizado diseñado para proteger a todas las personas o grupos que trabajan con el transportador en caso de que ocurra algún arranque inesperado.

Verifique todos los dispositivos y guardas de seguridad antes de arrancar el equipo para una operación normal.

Aunque parezca práctico, nunca lubrique los transportadores mientras se encuentren en movimiento. Sólo el personal capacitado que conoce de los peligros de un transportador en movimiento puede realizar la lubricación.

Guardas de seguridad

Mantenga todas las guardas y dispositivos de seguridad en su posición y en buenas condiciones.

Etiquetas de seguridad

Etiquetas de seguridad han sido ubicadas en diferentes puntos del equipo para alertar de los peligros potenciales existentes; esto en un esfuerzo por reducir la posibilidad de lesiones en el personal que trabaja alrededor de un transportador HYTROL. Por favor, revise el equipo e identifique todas las etiquetas de seguridad. Asegúrese de que el personal conozca y obedezca estas advertencias. Refiérase al manual de seguridad para ver ejemplos de etiquetas de advertencias.

¡RECUERDE! No remueva, reúse o modifique el material que incluye el equipo para ningún propósito que no sea para el que fueron diseñados originalmente.

¡PRECAUCIÓN! Sólo personal capacitado debe manipular la dirección de una banda del transportador, lo cual debe hacerse mientras el transportador se encuentra en movimiento. No intente direccionar la banda si el transportador está cargado.

¡PRECAUCIÓN! Debido a que el transportador contiene muchas partes en movimiento, todo el personal que se encuentra en el área debe ser notificado cuando el equipo esté a punto de arrancar.

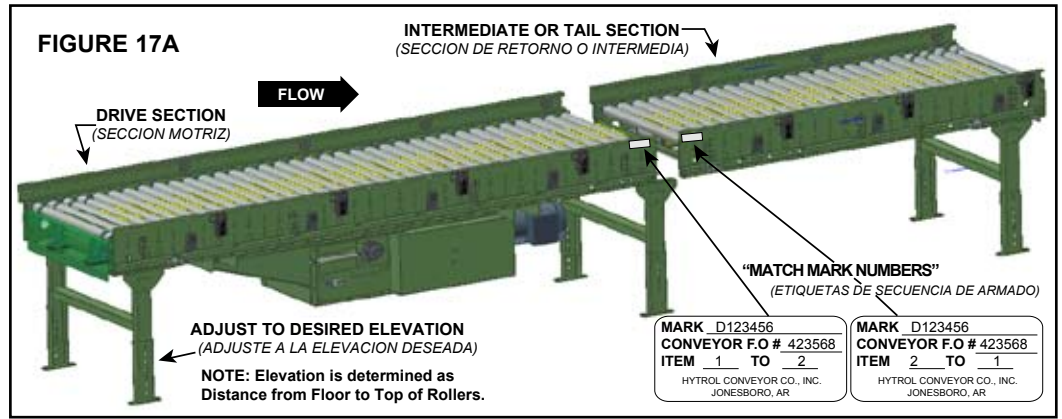
Use code **HYPMANUAL** for free shipping on your first order at HytrolParts.com

support@hytrolparts.com | www.HytrolParts.com

INSTALACIÓN

• Instalación de Soportes

1. Determine la dirección del flujo del producto. La figura 17A indica la dirección del flujo con respecto a la unidad motriz.
2. Refiérase a las etiquetas de secuencia de armado situadas en los extremos del transportador. (Fig. 17A). Posicione las secciones en secuencia, cerca al área de instalación.
3. Coloque soportes en ambos extremos de la sección motriz y en uno de los extremos de las secciones intermedias y de retorno (Fig. 17A). Apriete manualmente los tornillos. En los transportadores RBI, el ángulo de inclinación determinará la localización de los refuerzos de soportes cuando estos sean necesarios.
4. Ajuste la elevación a la altura requerida.

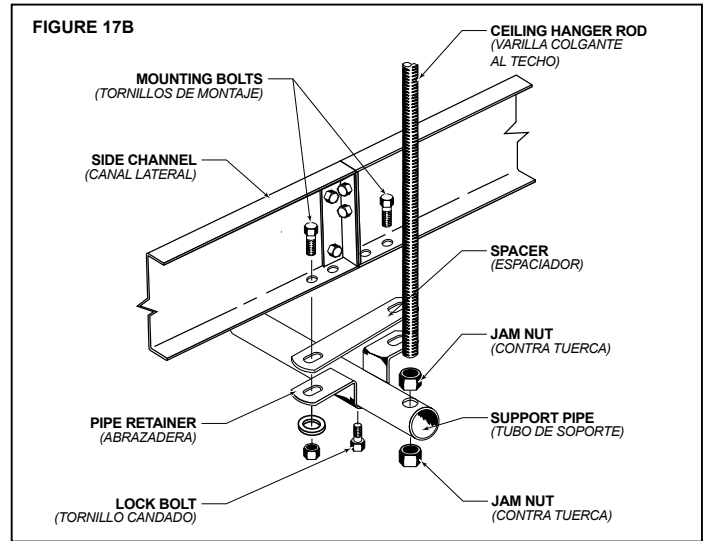


• Instalación de Soportes a Techo

En lugar de los soportes a piso, pudieron haber sido suministrados los soportes a techo para transportadores, para aplicaciones aéreas o en alturas.

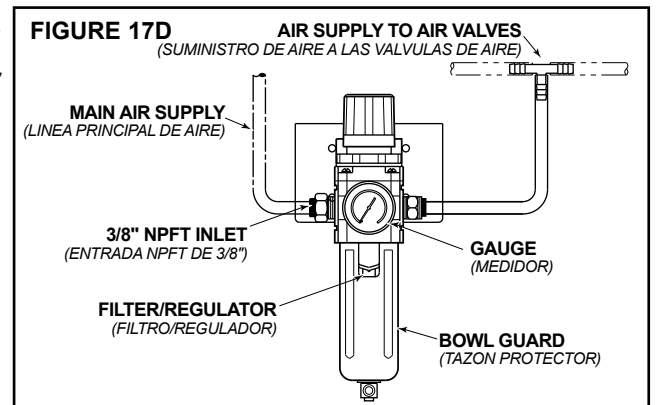
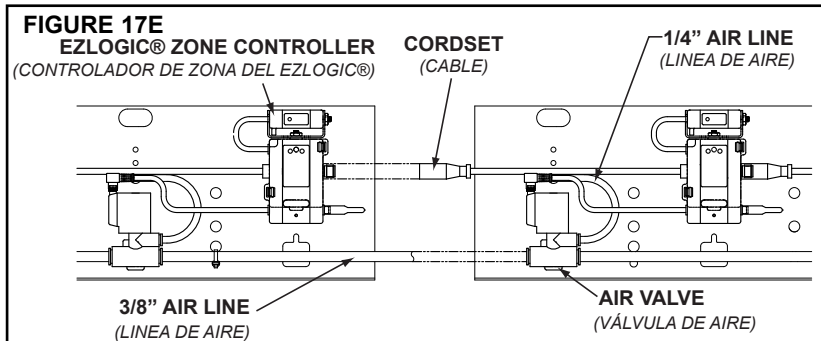
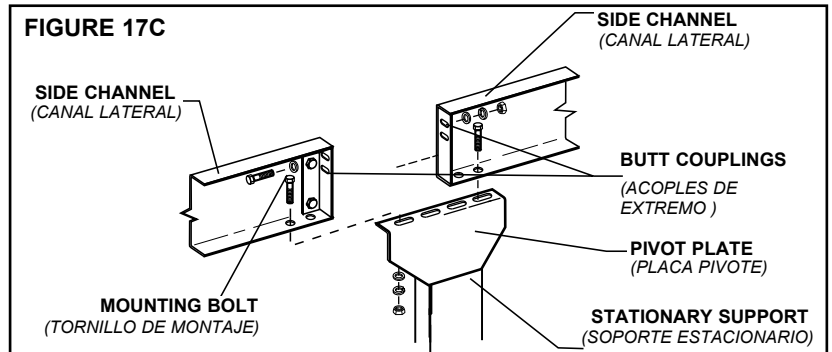
La figura 17B muestra cómo se instala un soporte a techo en un transportador. Los soportes deben montarse en la unión de las secciones. Para información de seguridad respecto al montaje de transportadores aéreos, refiérase a "Información de Seguridad al Instalar" en la página 21.

NOTA: Cuando se instalan varillas de soporte a techo en una edificación existente, todos los métodos de unión deben cumplir con los códigos locales de construcción.



• Montaje del Transportador

1. Marque con tiza una línea en el suelo para ubicar el centro del transportador.
2. Instale la sección motriz en posición.
3. Instale las secciones restantes en los soportes extendidos de la sección previa (Fig. 17A).
4. Asegúrese que todas las secciones de cama están cuadradas. Vea las instrucciones para corregir una sección descuadrada. Las secciones deben estar cuadradas para que la banda esté alineada.
5. Asegure las secciones con coples de unión a la base superior de los soportes (Fig. 17C). Apriete los tornillos manualmente.
6. Apriete los coples de unión y los tornillos de montaje del soporte y fije el transportador al piso.
7. Conecte las líneas de aire y el cableado en las secciones de unión (Fig. 17E).
8. Conecte la línea principal de aire al regulador/filtro (Fig. 17D).
9. Conecte la corriente de 110 VAC a la fuente de poder y conecte la corriente 24 VDC de la fuente al transportador. **NOTA:** Vea el Manual de Componentes EZLogic® para mayor información de las conexiones de corriente.
10. Fije el regulador a una presión de 35 P.S.I. **NOTA:** Vea las instrucciones del "Empaque" sobre el "Ajuste y lubricación del filtro/regulador".
11. Instale los controles eléctricos y conecte el motor. (Pág. 19).
12. Alinee la banda de acuerdo a las instrucciones (Pág. 19).



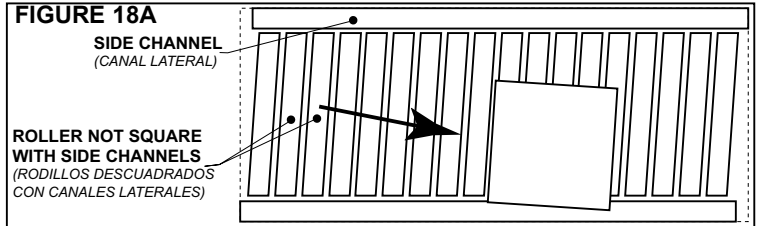
¡PRECAUCIÓN! Sólo personal capacitado debe manipular la dirección de una banda del transportador, lo cual debe hacerse mientras el transportador se encuentra en movimiento. No intente direccionar la banda si el transportador está cargado.

• Secciones Descuadradas

Es importante revisar que las secciones estén encuadradas. Si el transportador no está encuadrado, pueden presentarse problemas de alineación. La Figura 18A muestra una sección descuadrada.

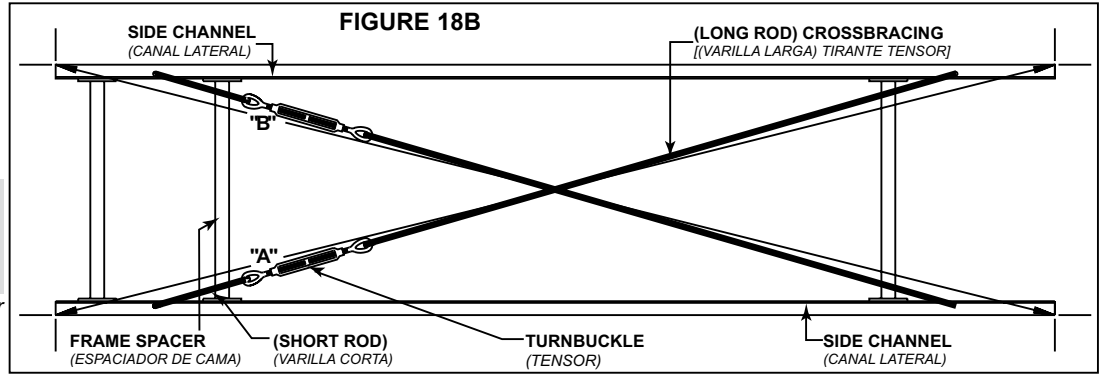
PARA CORREGIR UNA SECCION DESCUADRADA

1. Localice puntos en las esquinas de la sección y mida la distancia "A" y "B". Si las dimensiones no son iguales, la sección necesitará ser ajustada (Figura 18B).
2. Use el tirante tensor transversal ubicado en la parte inferior del transportador para encuadrar cada sección. Ajuste el tensor hasta que las dimensiones "A" y "B" sean iguales.
3. Después de que todas las secciones hayan sido verificadas y corregidas, apriete todos los tornillos de las placas de unión y de la base superior del soporte.
4. Haga un chequeo final para verificar que todas las secciones del transportador estén niveladas a lo ancho y a lo largo. Si todo el transportador está nivelado, los soportes pueden ser anclados al suelo.



¡IMPORTANTE! El transportador desnivelado a lo ancho puede causar la desviación de cajas en líneas largas de transportador y causará que la banda no este alineada apropiadamente.

Secciones ¡descuadradas! del transportador hacen que el producto se mueva hacia un lado del transportador.

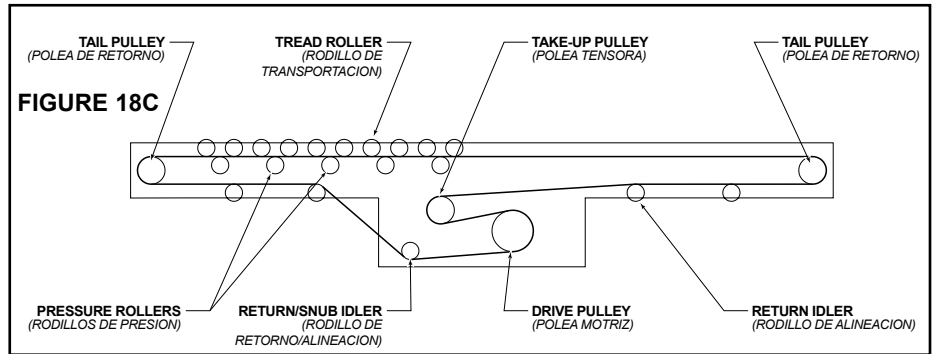


• Instalación de la Banda

INSTALANDO LA BANDA

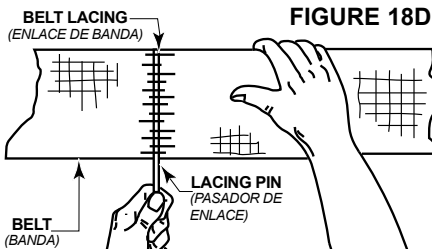
La banda del transportador ha sido previamente cortada y unida en la fábrica. La banda debe ser instalada con la superficie de fricción hacia los rodillos de presión y el lado recubierto de poliuretano hacia los rodillos de tracción. Para instalarla siga los siguientes pasos:

1. Retire los rodillos de tracción como sea necesario con el fin de deslizar la banda a través del transportador como se muestra en la Figura 18C. Junte los extremos e inserte el perno de unión (Figura 18D). Si los extremos de la banda no pueden ser unidos manualmente, afloje la polea tensora en la unidad motriz central y/o utilice un estirador de banda hasta que se pueda insertar el perno de unión.
2. Ajuste la tensión de la banda con las poleas tensoras o con la polea de retorno. Mantenga la polea alineada moviendo los tornillos tensores la misma distancia. Mantenga suficiente tensión para que la polea motriz no se resbale al transportar la carga estimada.
3. Alinee la banda de acuerdo a las instrucciones de la página 19.



NOTA: Si los extremos de la banda no pueden ser unidos manualmente, puede ser necesario afloje los tornillos tensores (en la polea de retorno, etc.) al mínimo ó utilice un estirador de banda hasta que el perno de unión pueda ser fácilmente insertado.

NOTA: Los ejes de los rodillos de tracción tienen un resorte en uno de los extremos. Los rodillos pueden ser removidos usando una herramienta como un destornillador para empujar ese extremo o usar unas pinzas para jalar hacia el extremo opuesto de ese eje.



BELT WIDTH (ANCHO DE LA BANDA)	LACING ANGLE (ANGULO DE ENLACE)
6"	5°

¡PRECAUCION! Si la banda patina excesivamente su vida útil será reducida considerablemente y se dañará el revestimiento de la polea motriz. Nunca aplique más tensión de la necesaria. Un exceso de tensión causará mayor desgaste de la banda y los rodamientos y hará que se requiera mayor potencia de la unidad motriz.

• Equipo Eléctrico

CONTROLES

¡PRECAUCIÓN! Debido a la cantidad de partes en movimiento del transportador, todo el personal en el área debe ser notificado cuando el transportador sea puesto en marcha.

Código Eléctrico: Todos los controles del motor y las conexiones deben ajustarse al Código Nacional de Electricidad, (Artículo 670 u otros artículos aplicables) como fue publicado por la Asociación Nacional de Protección Contra Incendios, y aprobado por el Instituto de Estándares Americanos.

ESTACIONES DE CONTROL

A) Las estaciones de control deberán estar ordenadas y ubicadas en lugares donde el funcionamiento del equipo sea visible y deberán estar claramente marcadas o señalizadas para indicar la función controlada.

B) Un transportador que pueda causar lesiones cuando sea puesto en marcha, no deberá ponerse en funcionamiento hasta que los trabajadores en el área sean alertados por una señal o por una persona designada.

Cuando un transportador pueda causar lesiones al momento de arranque y es controlado automáticamente, o es controlado desde una ubicación lejana; se deberá proporcionar un dispositivo sonoro el cual pueda ser escuchado claramente en todos los puntos a lo largo del transportador donde el personal pueda estar presente. El dispositivo de advertencia deberá ser activado por el dispositivo de arranque del transportador y deberá continuar sonando por un determinado periodo de tiempo previo al arranque del transportador. Si es más efectivo y de acuerdo a las circunstancias se puede utilizar una luz intermitente o una advertencia visual similar, en lugar del dispositivo sonoro.

Cuando el funcionamiento del sistema pueda ser seriamente obstruido o adversamente afectado por el tiempo de retardo requerido, o cuando el intento de advertencia pueda ser mal interpretado (ej., un área de trabajo con diversas líneas de transportadores y los dispositivos de advertencia relacionados), advertencias claras, concisas y legibles deben ser proporcionadas. Las advertencias deben indicar que los transportadores y los equipos relacionados pueden ser puestos en marcha en cualquier momento, que existe un peligro y que el personal debe mantenerse alejado. Estas advertencias deben ser proporcionadas a lo largo del transportador en áreas que no sean protegidas por la posición o la ubicación.

C) Los transportadores controlados automáticamente, desde estaciones lejanas y los transportadores donde las estaciones de funcionamiento no estén controladas por una persona o estén más allá del alcance de la voz y del contacto visual de las áreas de conducción, áreas de carga, puntos de transferencia y otros sitios potencialmente peligrosos localizados en la trayectoria del transportador que no tenga protección por posición, ubicación o guardas, deberán ser equipados con interruptores de parada de emergencia, cordones de parada de emergencia, interruptores de límite o dispositivos similares para paradas de emergencia.

Todos estos dispositivos de parada de emergencia deberán ser fácilmente identificables en las cercanías inmediatas a estos puntos potencialmente peligrosos, a no ser que estén protegidos dada su ubicación, posición o protegidos con guardas. No se requieren los dispositivos de parada de emergencia donde el diseño, el funcionamiento y la operación de tales transportadores no represente un claro peligro para el personal.

El dispositivo de parada de emergencia debe actuar directamente en el control del transportador concerniente y no debe depender de la parada de cualquier otro equipo. Los dispositivos de parada de emergencia deben ser instalados de tal forma que no puedan ser anulados desde otras localidades.

D) Los controles, los actuadores inactivos o no usados y los cables, deberán ser removidos de las estaciones de control y de los tableros de mando, junto con los diagramas, indicadores, etiquetas de control y otros materiales obsoletos, los cuales pueden confundir al operador.

DISPOSITIVOS DE SEGURIDAD

A) Todos los dispositivos de seguridad, incluyendo la conexión de dispositivos eléctricos, deben estar dispuestos para operar en una manera de "Fallo - Seguro"; es decir, si se presenta una pérdida de corriente o una falla en el mismo dispositivo, esto no debe representar ningún peligro.

B) Paros de Emergencia y Reinicio. Los controles del transportador deberán estar dispuestos de tal manera que, en caso de una parada de emergencia se requiera un inicio o arranque manual en la ubicación donde el paro de emergencia se presentó para poder reanudar la operación del transportador o transportadores y equipo asociado.

C) Antes de volver a poner en marcha un transportador que haya sido detenido por una emergencia, debe revisarse y determinar la causa del paro. El dispositivo de arranque deberá ser bloqueado antes de intentar corregir o remover la causa que originó el paro, a no ser que la operación del transportador sea necesaria para determinar la causa o para solucionar el problema.

Refiérase a: ANS I Z244.1-1982, "American National Standard for Personnel Protection" - Lockout/Tagout of Energy Sources - Minimum Safety Requirements and OSHA Standard Number 29 CFR 1910.147 "The Control of Hazardous Energy (Lockout/Tagout)."

• Alineación de la Banda

INSPECCIÓN PREVIA A LA ALINEACIÓN DE LA BANDA

Antes de proceder a alinear la banda:

1. Asegúrese de que todas las secciones del transportador estén cuadradas. (Vea "Secciones Descuadradas," Pág. 18).
2. Asegúrese de que el transportador está nivelado a lo ancho y largo de la unidad. Ajuste los soportes si es necesario.
3. Asegúrese de que todas las poleas, los rodillos de alineación y las poleas de retorno están cuadradas con la cama del transportador (Fig. 19A a la 20B). La medida "A" debe ser igual en ambos lados del transportador.
4. Asegúrese de que la banda haya sido colocada adecuadamente en el transportador. Vea "Instalación de la Banda", Pág. 18.

IMPORTANTE: Los ajustes hechos a la banda deben ser mínimos (un ajuste de 1/16" en los rodillos de retorno a la vez, puede ser suficiente).

Se debe permitir cierto tiempo para que la banda reaccione a los ajustes. Probablemente sean necesarias varias revoluciones completas alrededor del transportador para que la banda empiece a alinearse.

A) Párese en el extremo de la polea de retorno y observe la dirección de flujo de la banda.

B) Después de haber observado la banda y determinado problemas de alineación, siga los pasos mencionados en la sección "Cómo Alinear la Banda". Observe la Figura 20A.

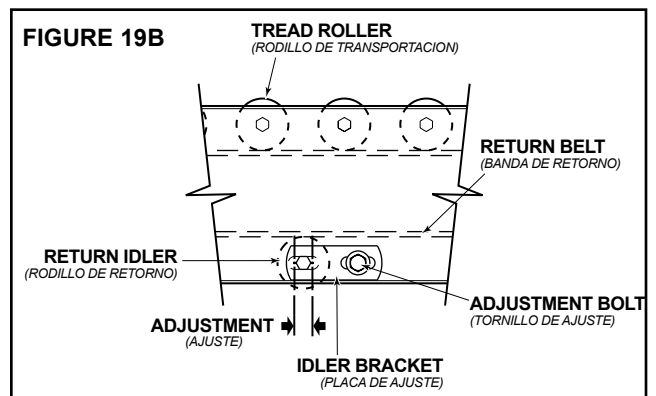
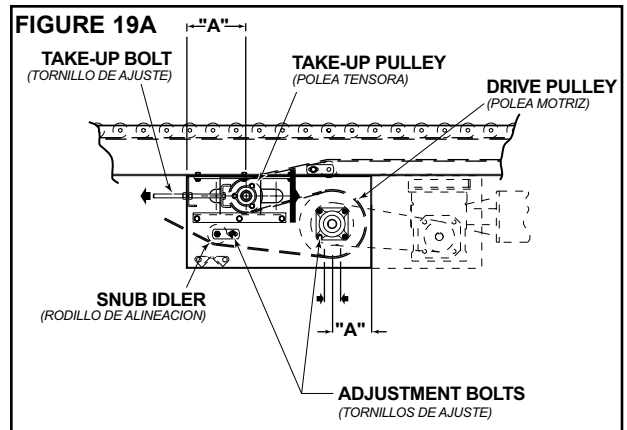
CÓMO ALINEAR LA BANDA

Condición 1. Cuando el flujo de la banda tenga el mismo sentido de la flecha y la banda se esté desviando hacia el lado "X", mueva el rodillo de alineación que se encuentra más cerca al extremo de alimentación del Lado "Y", hacia el extremo de descarga del transportador.

Condición 2. Cuando el flujo de la banda tenga el mismo sentido de la flecha y la banda se esté desviando hacia el lado "Y", mueva el rodillo de alineación que se encuentra más cerca al extremo de alimentación del Lado "X", hacia el extremo de descarga del transportador.

Si el flujo de la banda se revierte, todas las condiciones mencionadas anteriormente prevalecerán iguales como muestra la Figura 20A, a menos que se esté observando el transportador desde el lado opuesto.

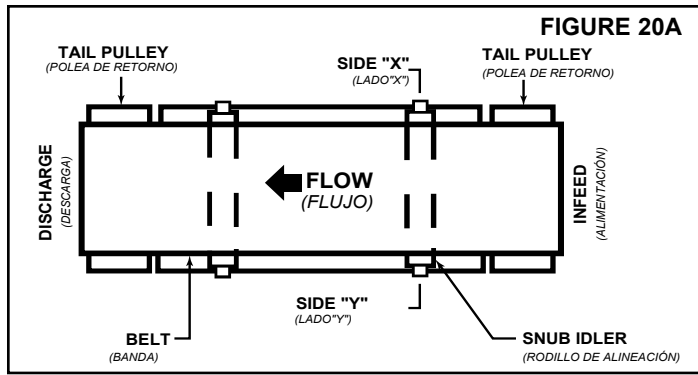
Si la banda continua desalineada, revise todos los puntos de la sección "Inspección previa a la alineación de la banda" y haga las correcciones necesarias.



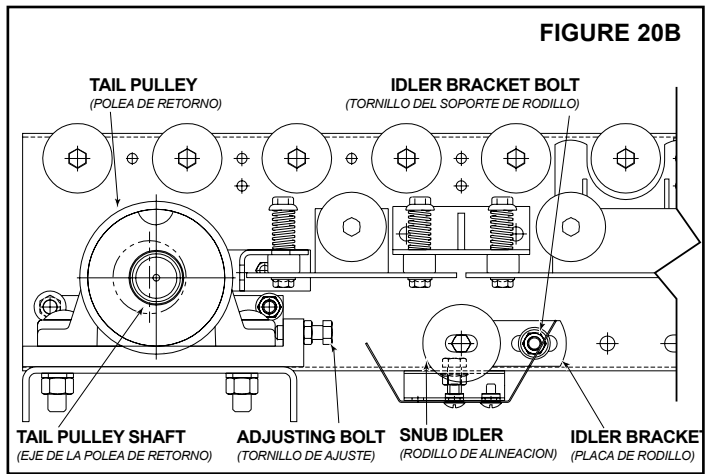
Use code **HYPMANUAL** for free shipping on your first order at HytrolParts.com

support@hytrolparts.com | www.HytrolParts.com

• Alineación de la Banda



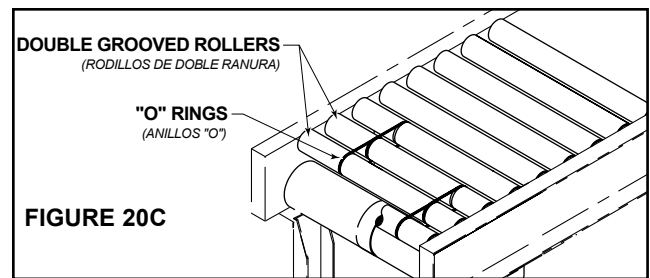
¡PRECAUCIÓN! Solo el personal capacitado deberá ajustar la banda del transportador, ya que esto se debe hacer cuando el transportador está operando. Todas las guardas deben estar colocadas mientras se alinea la banda.



NOTA: Para todas las condiciones, se debe observar el transportador desde el punto de CARGA. Todas las correcciones deben ser hechas desde dicho punto.

• Instalación de los Rodillos de Tracción

Algunos de los rodillos de tracción son removidos para instalar la banda. Reinstale todos los rodillos de tracción que hayan sido removidos. Los rodillos del extremo son conectados con "O"-Rings o ligas como se muestra en la figura 20C. Observe que los cuatro rodillos de los extremos tienen dos ranuras.



• Secuencia de Operación

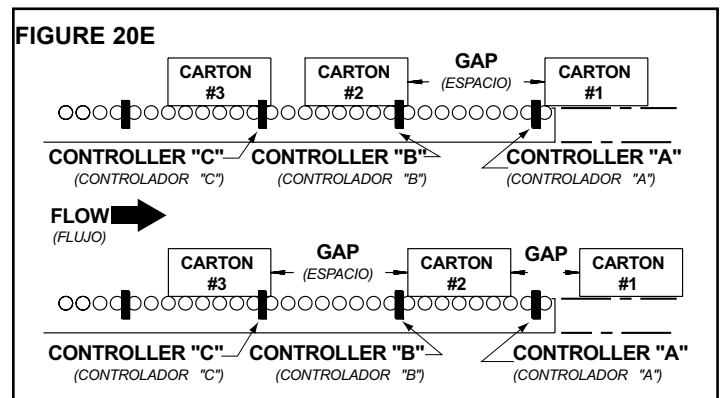
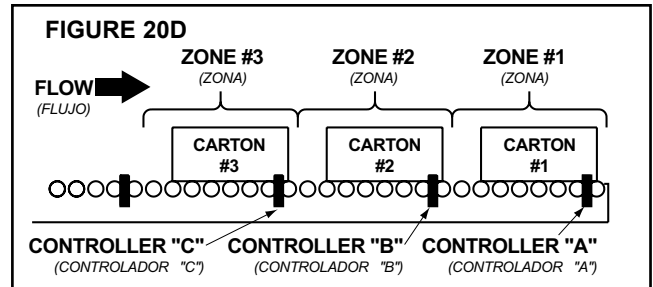
El modelo ABEZ está compuesto por una serie de zonas de acumulación. Cada zona posee un controlador de zona EZ-Logic, una placa de presión donde se aplica y quita la tracción de la zona y un freno operado neumáticamente que detiene cuatro rodillos.

CARGANDO EL TRANSPORTADOR (Fig. 20D)

1. Empezando con el transportador "vacío" y la señal de paro "activa" en el controlador de la descarga, el primer producto colocado sobre el transportador continuará hacia adelante hasta detenerse en la zona de descarga (Zona #1). Si uno o más productos son colocados sobre el transportador con un espacio de separación menor que la distancia de una zona, los productos serán separados durante los primeros pies de recorrido, hasta que el espacio entre todos los paquetes sea por lo menos igual a la distancia de una zona.
2. Cuando el producto #1 activa el controlador "A", la zona #1 se detiene completamente. Una señal es enviada a la zona #2 indicando que la zona #1 está ocupada (Figura 20D).
3. Cuando el producto #2 activa el controlador "B", la zona #2 se detiene completamente. Una señal es enviada a la zona #3 indicando que la zona #2 está ocupada.
4. La secuencia anterior se repite hasta que el transportador esté completamente lleno.

DESCARGANDO EL TRANSPORTADOR

1. La liberación de la carga #1 se logra "desactivando" la señal de parada de la zona de descarga. (Refiérase a la sección de "conexiones de paro por zona" en la página 21.) Esto restaura la tracción en los rodillos de la zona #1. La carga #1 avanzará, dejando un espacio entre sí misma y el producto #2 (Figura 20E).
2. Cuando la carga #1 despeja el módulo "A", la carga #2 avanzará dejando un espacio entre sí misma y el producto #3.
3. Esta secuencia continuará mientras los productos delanteros continúen avanzando.



Use code **HYPMANUAL** for free shipping on your first order at HytrolParts.com

• Sistema EZLogic®

Conexiones del Sistema de Acumulación EZLogic®

El Modelo ABEZ está equipado con un sistema de acumulación EZLogic®. La siguiente información puede ser usada como guía durante la instalación y el montaje del transportador. Para información más detallada sobre los componentes del sistema EZLogic®, sus opciones, funciones, y programación, refiérase al "Manual de Componentes EZLogic® Gen 3". Cada módulo EZLogic® está equipado con conectores sellados para comunicación zona-a-zona, salida solenoide y conexiones de paro de zona (Fig. 21B). Estas conexiones se describen a continuación.

CONEXIONES DE ZONA

Cada zona posee un cable terminado con micro-conector hembra y un micro-conector macho. Por medio de este cable se energizan las unidades y los controladores se comunican (Fig. 21A).

Todos los controladores son montados y conectados en la fábrica en cada sección del transportador. Las conexiones entre las secciones se hacen durante la instalación (Ver Página 17). El cable de un controlador estará siempre conectado al módulo de la zona anterior para que el controlador sepa la dirección del flujo de los productos.

El cable del controlador en la zona de carga simplemente es amarrado al canal y no será conectado. El cable en la zona de carga puede ser remplazado con una terminación de zona (N/P 032.550). Se proporcionan tapas protectoras para sellar los conectores que no se usarán.

Cuando se juntan dos transportadores, un cable conector opcional de transportador a transportador es requerido. Refiérase al "Manual de Componentes EZLogic® Gen 3" para mayor información.

CONEXIONES DE LA VALVULA SOLENOIDE

Cada controlador de zona de acumulación posee un cable que provee una señal de arranque/paro de la zona a la válvula solenoide de aire que la está operando.

Este cable termina con un conector "Pico-Style" hembra sellado ajustable a presión. La conexión se hace enchufando el cable al conector macho de la válvula.

Recuerde que esta señal debe ser exclusivamente utilizada para operar el mecanismo de la zona del transportador. No debe ser utilizada como señal de salida de otro dispositivo de control. Si una señal de control es necesaria, un módulo opcional I/O debe ser utilizado. Refiérase al "Manual de Componentes EZLogic® Gen 3" para mayor información.

CONEXIONES AUXILIARES

Cada controlador de zona EZLogic® está equipado con un puerto auxiliar. Este conector puede ser usado para aceptar, ya sea una señal de paro de zona, una señal de entrada continua (slug) o una señal de activación de zona; simplemente conectando el cable de entrada auxiliar al puerto auxiliar y después conectando los dos cables a cualquier dispositivo interruptor, como de palanca o relevador (tipo "dry contact"). No se requieren más componentes. El ajuste estándar es para una señal de paro de zona. Para usar la señal de entrada continua (slug) o la señal de activación de zona, programe los controladores de zona según lo descrito en el "Manual de Componentes EZLogic® Gen 3"

Nota: No aplique voltaje a estos cables o conecte más de un controlador de zona a cualquier contacto.

Al cerrar los contactos de paro se pondrá al controlador EZLogic® en el modo "acumulación". El siguiente cartón que active el controlador se detendrá en la "zona de paro" hasta que el contacto sea abierto. La característica de paro es usada en los transportadores para controlar la salida del producto de la zona de descarga. Otras zonas pueden ser conectadas con esta característica en cualquier momento.

CONEXIONES EN SLUG MODE

El sistema de acumulación EZLogic® provee dos modos de acumulación los cuales pueden ser seleccionados por el usuario: "Singulation" y "Slug" Mode. (Diríjase a la Pág. 20 para las descripciones en la "Secuencia de la Operación" de cada modo). El modo deseado de operación debe ser programado en los módulos de acumulación durante la instalación (Refiérase al "Manual de Componentes EZLogic® Gen 3"). Si el usuario desea alternar entre las operaciones de "singulation" y "slug mode", sin detener el transportador, es necesario obtener un "cable de entrada auxiliar" (Hytrol N/P 032.563). El modo estándar es "singulation mode". Si el usuario desea operar el transportador en slug mode, o si el usuario desea alternarlos entre los dos modos, los siguientes procedimientos deben usarse.

SOLAMENTE "SLUG MODE"

Programa los controladores de zona en "slug mode only" basándose en el "Manual de Componentes EZLogic® Gen 3".

SINGULATION/SLUG SELECCIONABLE

1. Instale un Cable Auxiliar de Entrada (Hytrol P/N 032.563) o cualquier controlador de zona en el transportador. El cable se conecta al puerto auxiliar en el controlador (ver figura 21B).
2. Programe el controlador de zona para aceptar una señal de modo continuo (slug). Refiérase al "Manual de Componentes EZLogic® Gen 3" para mayor información.
3. Conecte los dos cables del Cable Auxiliar de Entrada a cualquier dispositivo interruptor de palanca o un relevador.
4. Con el interruptor abierto, el transportador trabajara en modo "singulation". Cuando esté cerrado, el transportador trabajará en modo "slug"

Nota: No aplique voltaje a estos cables o conecte más de un controlador a cualquier contacto.

FIGURE 21A

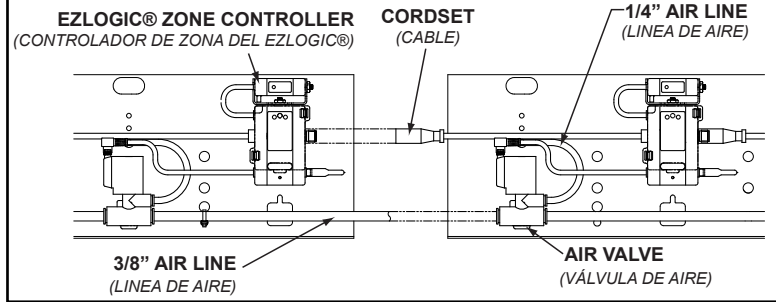
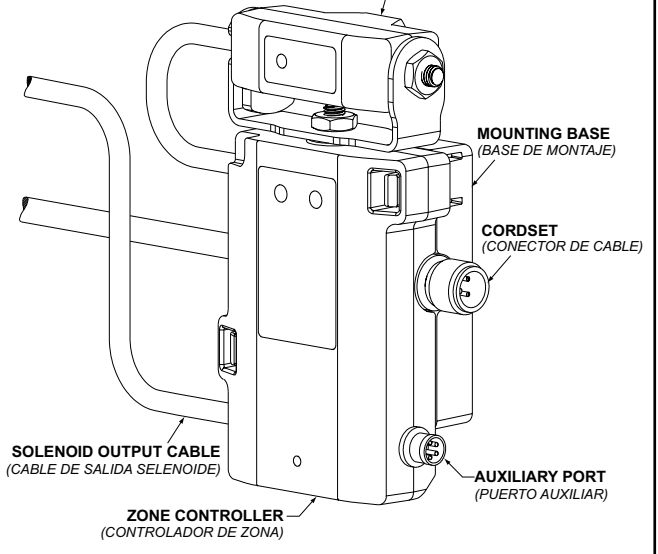


FIGURE 21B



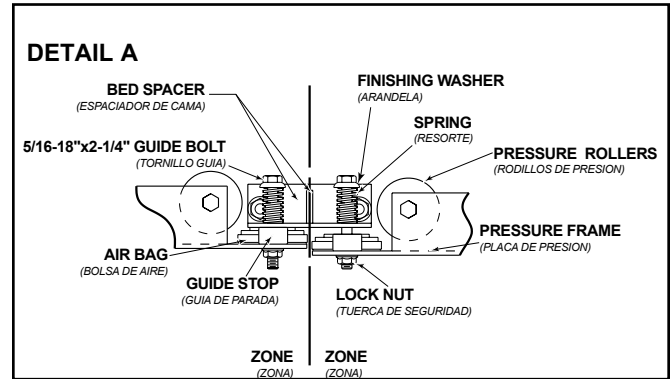
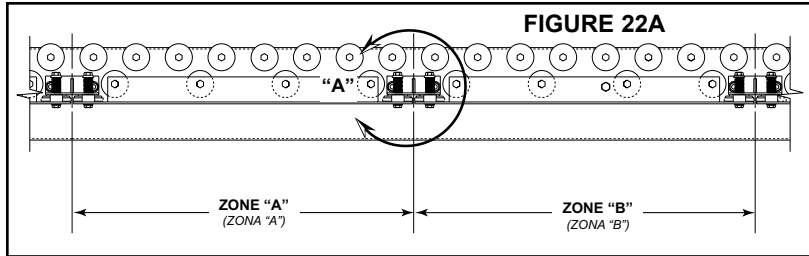
Use code **HYPMANUAL** for free shipping on your first order at HytrolParts.com

support@hytrolparts.com | www.HytrolParts.com

• Ajuste de la Presión

El Modelo ABEZ está equipado con una placa de presión cargada de resortes que proporciona fuerza motriz entre la banda y los rodillos de tracción. A pesar de que el transportador ha sido ajustado en la fábrica, tal vez se necesiten ajustes en campo. Si se mueve la banda pero los rodillos de tracción no se mueven, entonces siga los siguientes pasos para ajustar cada zona.

1. Con la zona en movimiento, asegúrese de que la placa de presión está acomodada correctamente (Fig. 22A).
2. Si no, apriete los tornillos guía solo lo suficiente para que la guía se detenga en contacto con el espaciador de la cama (Detalle "A"). Al apretar después de este punto no se incrementará la fuerza motriz.



¡PRECAUCIÓN! No intente ajustar el transportador hasta que haya sido probado. Vea la guía de "Resolviendo Problemas" para definición y solución de problemas.

OPERACIÓN

• Arranque del Transportador

Antes de poner en marcha el transportador, revise si hay objetos ajenos que puedan haber sido dejados dentro del transportador durante la instalación. Estos objetos pueden causar serios daños durante el arranque. Después de poner en marcha el transportador y que esté operando, revise los motores, reductores y partes en movimiento para estar seguro de que están trabajando libremente.

¡ADVERTENCIA! Los controles eléctricos deben ser conectados e instalados por un electricista calificado. La información sobre las conexiones del motor y los controles será proporcionada por el fabricante del equipo.

MANTENIMIENTO

• Lubricación

La cadena motriz ha sido pre-lubricada por el fabricante mediante un proceso de sumersión caliente que asegura una lubricación total de todos sus componentes. Sin embargo, una lubricación apropiada y continua extenderá su vida útil considerablemente.

La lubricación de la cadena motriz cumple varios propósitos:

- Proteger contra el desgaste de la unión de pines de la cadena
- Lubricar las superficies de contacto entre la cadena y la catarina
- Prevenir la oxidación o corrosión

En operaciones bajo condiciones ambientales normales, lubrique cada 2080 horas de operación o cada 6 meses, lo que ocurra primero. Hágalo con un lubricante basado en petróleo no-detergente de buen grado o sintético (ej. Shell Rotella o Mobil 1). Para mejores resultados, siempre utilice una brocha para lubricar la cadena generosamente. La viscosidad apropiada del lubricante afecta enormemente el fluido del mismo hacia las áreas internas de la cadena. Refiérase a la siguiente tabla para consultar la viscosidad de lubricante adecuada para su aplicación.

Temperatura Ambiente (Grados F°) (Grados C°)		SAE	ISO
20-40	-07 - 04	20	46 o 68
40-100	04 - 38	30	100
100-120	38 - 49	40	150

El requerimiento de lubricación de la cadena motriz se ve afectado considerablemente por las condiciones de operación. En condiciones difíciles tales como: ambientes húmedos, ambientes con polvo, velocidades excesivas, o temperaturas elevadas, se recomienda lubricar la cadena con más frecuencia. Lo apropiado sería que bajo estas condiciones se establezca un programa de lubricación específico para su aplicación. Este programa podrá llevarse a cabo inspeccionando la lubricación suficiente de la cadena motriz en intervalos regulares de tiempo. Una vez se ha determinado el intervalo en el cual la cadena no se encuentra suficientemente lubricada, lubríquela y programe los siguientes intervalos de acuerdo al intervalo anterior.

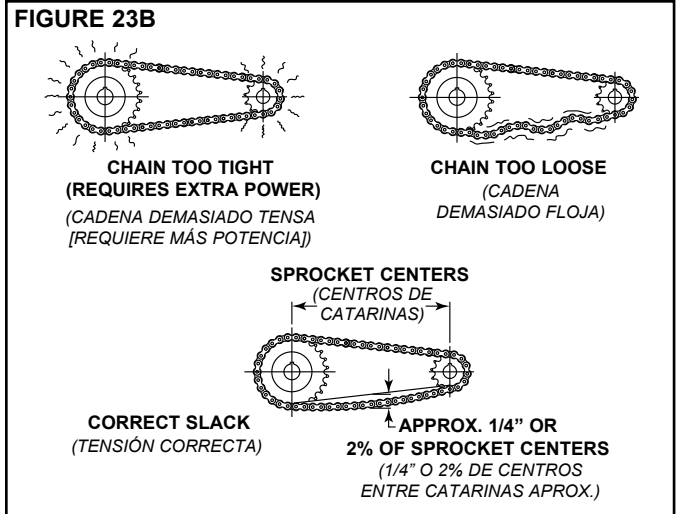
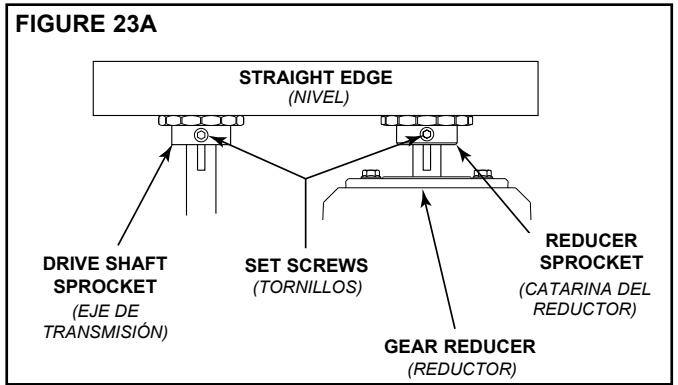
• Alineación y Tensión de la Cadena Motriz

La cadena motriz y las catarinas deben ser revisadas periódicamente para que estén correctamente tensas y alineadas. Ajustes inadecuados causarán un desgaste excesivo en los componentes de la cadena.

PARA AJUSTAR

1. Remueva la guarda de cadena.
 2. Revise la alineación de las catarinas colocando un nivelador sobre sus caras (Fig. 23A).
 3. Suelte los tornillos y ajuste las catarinas a la medida necesaria. Una vez ajustadas, apriete los tornillos nuevamente.
 4. Para ajustar la tensión de la cadena, suelte los tornillos que unen la base del motor a los ángulos de montura en ambos lados del transportador. Apriete los tornillos tensores hasta que consiga la tensión de la cadena deseada. (Fig. 23A & 23B). Atomille nuevamente.
 5. Lubrique la cadena siguiendo las instrucciones de lubricación. (Página 22)
- Vuelva a colocar la guarda cadena de manera que no interfiera con la unidad.

¡PRECAUCIÓN! Nunca remueva la guarda de cadena cuando el transportador esté en funcionamiento. Siempre vuelva a colocar las guardas después de hacer los ajustes.



Resolviendo Problemas: La siguiente tabla muestra una lista de posibles problemas que pueden ocurrir durante la operación del transportador

	PROBLEMA	CAUSA	SOLUCION
Drives	El transportador no arranca o el motor se detiene frecuentemente.	1) El motor está sobrecargado o pasa demasiada corriente.	1) Revise si hay sobrecarga del transportador. 2) Revise los circuitos e interruptores de protección y sobrecarga, y cámbielos si es necesario.
	Desgaste excesivo de la cadena motriz y las catarinas.	1) Falta de lubricación en la cadena causando su elongación, lo cual crea una cadena inapropiada para el engranaje de la catarina. 2) Las catarinas están desalineadas. 3) La cadena está floja.	1) Reemplace la cadena y las catarinas. Proporcione una adecuada lubricación. 2) Alinee catarinas. Vea "Alineación y Tensión de Cadena Motriz" en este manual. 3) Vea "Tensión y Alineación de la Cadena" en este manual.
	Funcionamiento muy ruidoso en el rodamiento.	1) Rodamientos defectuosos. 2) El tornillo de fijación está flojo. 3) La cadena está floja.	1) Reemplace los rodamientos. 2) Apriete el tornillo de fijación. 3) Ajuste la tensión de la cadena.
	Motor o reductor recalentado.	1) Transportador está sobrecargado. 2) Bajo voltaje al motor. 3) Bajo nivel de lubricante en reductor.	1) Revise la capacidad del transportador y reduzca la carga al nivel recomendado. 2) Haga una revisión por un electricista y corrija si es necesario. 3) Vuelva a lubricar de acuerdo a las recomendaciones del fabricante. Para el reductor Hytrol, refiérase al manual adjunto.
	La banda no se mueve estando la unidad motriz en funcionamiento.	1) El transportador está sobrecargado. 2) La banda está floja. 3) El revestimiento de la polea motriz está desgastado.	1) Reduzca la carga. 2) Use tensores de la banda para apretarla. 3) Reemplace el revestimiento de la polea y ajuste la banda.
Belt Tracking	La banda se desliza hacia un lado al pasar por la polea de retorno.	1) La polea de retorno, el rodillo de retorno o el rodillo de alineación cerca de la polea de retorno, no está correctamente alineado o escuadrado con la cama.	1) Ajuste según sea necesario. Vea "Inspección Previa a la Alineación de la Banda" en este manual.
	Toda la banda se desliza hacia uno de los lados del transportador.	1) El transportador no está recto. 2) El transportador no está nivelado. 3) Material acumulado en rodillos o poleas.	1) Alinee las secciones de cama como sea necesario. 2) Corrija como sea necesario. 3) Remueva el residuo e instale limpiadores de banda o raspadores si es posible.
Accumulation	Ninguna zona acumula. El transportador se convierte en un live-roller	1) La línea de aire está enroscada. 2) El cable del módulo está desconectado. 3) El cable solenoide está desconectado. 4) La válvula solenoide no funciona. 5) El módulo no funciona.	1) Desconecte la línea de aire. 2) Reconecte el cable. 3) Reconecte el cable 4) Repare/reemplace la válvula. 5) Reemplace el módulo.
	La zona no acumula.	1) Pérdida de poder a los módulos. 2) Pérdida de aire en todo el transportador.	1) Revise la fuente de poder. 2) Revise el suministro de aire.
	La zona no tiene impulso	1) Lentes del módulo están sucios. 2) El reflector falta o está dañado.	1) Limpie los lentes. 2) Reemplace el reflector.
	La zona no se detiene ("sleep").	1) La característica "sleep" está desactivada. 2) La zona anterior está bloqueada.	1) Active el "Sleep". 2) Libere la zona.

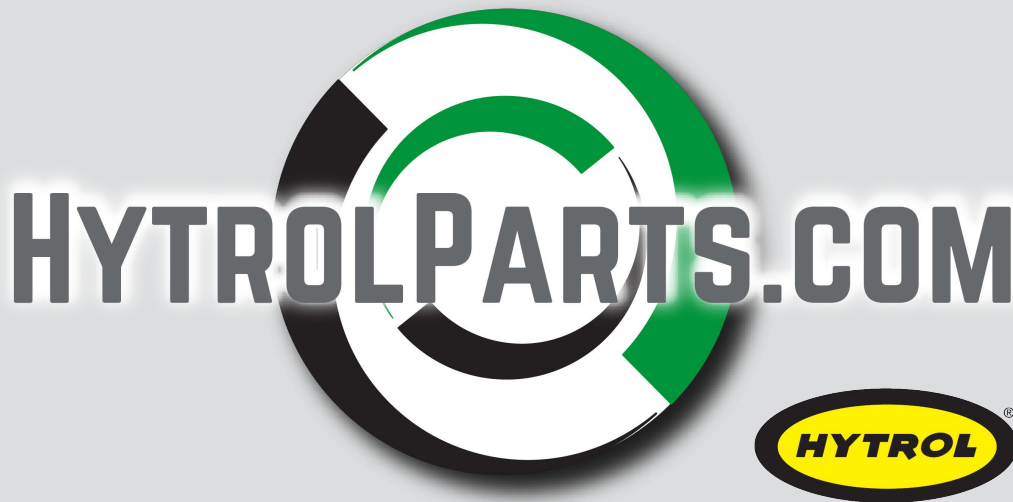
• Planned Maintenance Checklist

Note: Check Set Screws after the first 24 hours of operation.

(Lista de Mantenimiento Preventivo)

NOTA: Revise los tornillos después de las primeras 24 horas de operación.

Component (Componente)	Suggested Action (Sugerencia)	Schedule (Horario)		
		Weekly (Semanal)	Monthly (Mensual)	Quarterly (Trimestral)
Motor (Motor)	Check Noise <i>(Revisar el Ruido)</i>			
	Check Temperature <i>(Revisar la Temperatura)</i>			
	Check Mounting Bolts <i>(Revisar los Tornillos de Montaje)</i>			
Reducer (Reductor)	Check Noise <i>(Revisar el Ruido)</i>			
	Check Temperature <i>(Revisar la Temperatura)</i>			
	Check Oil Level <i>(Revisar el Nivel de Aceite)</i>			
Drive Chain (Cadena Motriz)	Check Tension <i>(Revisar la Tension)</i>			
	Lubricate <i>(Lubricar)</i>			
	Check for Wear <i>(Revisar el Desgaste)</i>			
Sprockets (Catarinas)	Check for Wear <i>(Revisar el Desgaste)</i>			
	Check Set Screws & Keys <i>(Revisar los Juegos de Tornillos)</i>			
Belt (Banda)	Check Tracking <i>(Revisar la Alineacion)</i>			
	Check Tension <i>(Revisar la Tension)</i>			
	Check Lacing <i>(Revisar el Enlace)</i>			
Bearings (Pulleys & Rollers) <i>Rodamientos (Poleas & Rodillos)</i>	Check Noise <i>(Revisar el Ruido)</i>			
	Check Mounting Bolts <i>(Revisar los Tornillos de Montaje)</i>			
V-Belts (Bandas-V)	Check Tension <i>(Revisar la Tension)</i>			
	Check for Wear <i>(Revisar el Desgaste)</i>			
	Check Sheave Alignment <i>(Revisar la Alineacion del eje de la Polea)</i>			
Structural <i>(Estructura)</i>	General Check: All loose bolts, etc., tightened <i>(Revision General: Tornillos sueltos, etc.)</i>			



POWERED BY
CONVEYOR SOLUTIONS

"Building Relationships One Conveyor Part at a

Time" support@hytrolparts.com |

www.HytrolParts.com

Use code **HYPMANUAL** for free shipping
on your first order at HytrolParts.com