

## 46 INCH - TWIN STAR III PALM & WOVEN BAMBOO BLADES

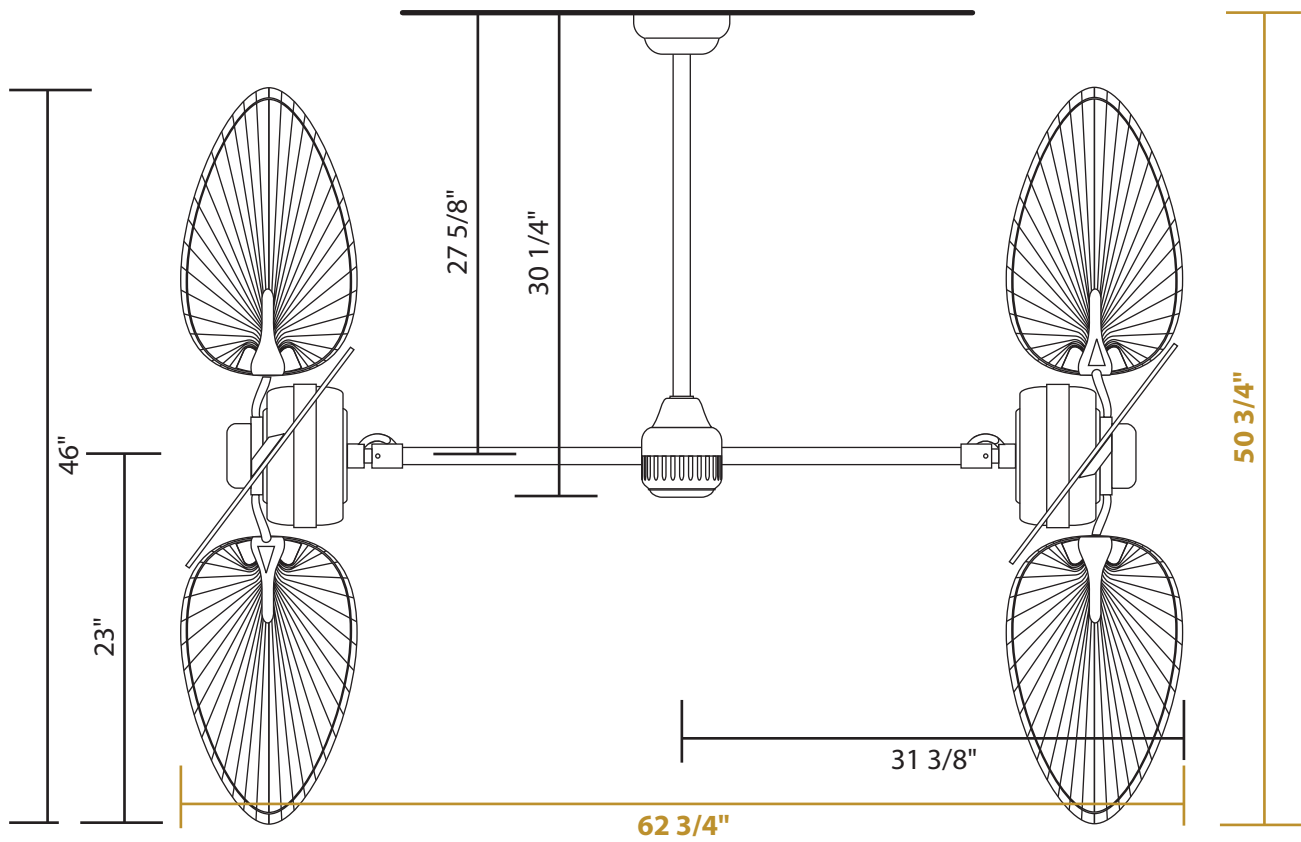
Internal motor size: 188x15 mm

Blade pitch 36°

Motors are manually adjustable to 2 positions:

a) 0° horizontally in a straight line, facing the walls

- Minimum ceiling height required: 11' 3" or higher
- Minimum use of a 24" downrod
- Overall height (from ceiling to bottom of lower blade) 50.75"
- Overall length (from one head to opposite head) 62.75"



## 46 INCH - TWIN STAR III PALM & WOVEN BAMBOO BLADES

b) At a 45° angle

- Minimum ceiling height required: 10' 2" or higher
- Minimum use of a 12" downrod
- Overall height (from ceiling to bottom of lower blade) 37.5"
- Overall length (from one head to opposite head) 81"

