

## 35 INCH - TWIN STAR III ARBOR 600 & ABS PLASTIC BLADES

Internal motor size: 188x15 mm

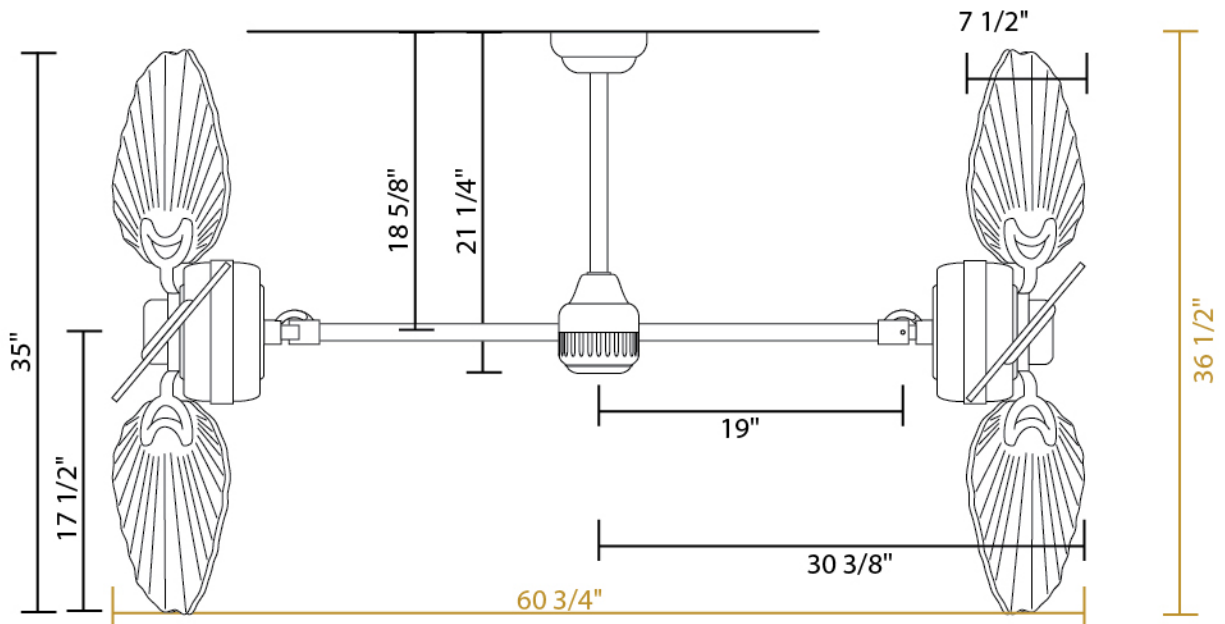
Blade pitch 40°

5 Blades per side

Motors are manually adjustable to 3 positions:

a) 0° horizontally in a straight line, facing the walls

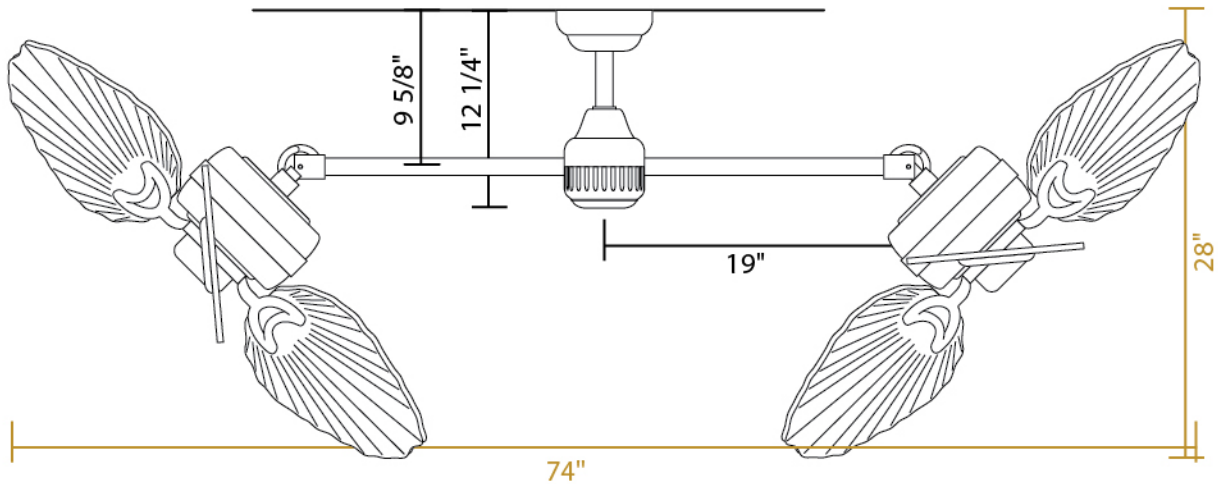
- Minimum ceiling height required: 10' or higher
- Minimum use of a 15" downrod
- Overall height (from ceiling to bottom of lower blade) 36.5"
- Overall length (from one head to opposite head) 60.75"



## 35 INCH - TWIN STAR III ARBOR 600 & ABS PLASTIC BLADES

b) At a 45° angle

- Minimum ceiling height required: 9' 4" or higher
- Minimum use of a 6" downrod
- Overall height (from ceiling to bottom of lower blade) 28"
- Overall length (from one head to opposite head) 74"



b) At a 90° angle

- Minimum ceiling height required: 8' 9" or higher
- Minimum use of a 6" downrod
- Overall height (from ceiling to bottom of lower blade) 21"
- Overall length (from one head to opposite head) 73"

