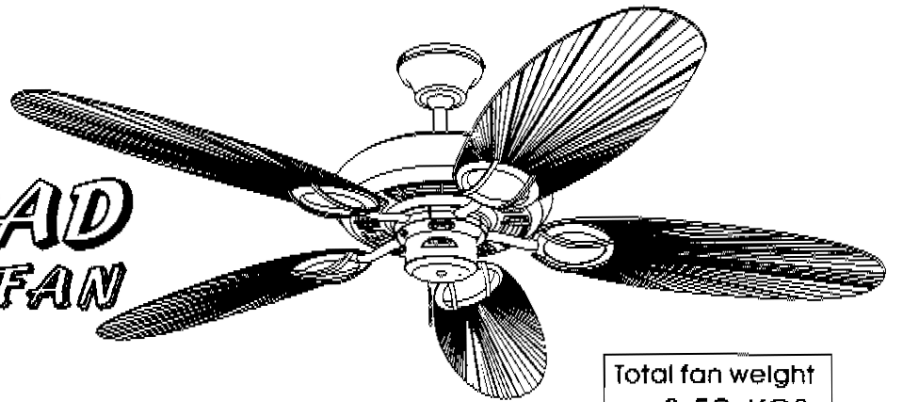


INDOOR/OUTDOOR
TAMPA BAY
BREEZE

Total fan weight
9.50 KGS.
21.0 LBS



TRINIDAD
OUTDOOR FAN

Total fan weight
8.50 KGS.
18.75 LBS

Owners Manual



READ AND SAVE THESE INSTRUCTIONS

WARNING:

TO REDUCE THE RISK OF FIRE, ELECTRICAL SHOCK, OR INJURY TO PERSONS, OBSERVE FOLLOWING:

1. Use this unit only in manner intended by the manufacturer. If you have questions, contact the manufacturer at the address or telephone number listed in warranty.
2. Before servicing or cleaning unit, or installing a light kit, switch power off at service panel and lock service panel to prevent power from being switched on accidentally. When the service disconnecting means cannot be locked, securely fasten a prominent warning device, such as a tag, to the service panel.
3. Installation work and electrical wiring must be done by a qualified person(s) in accordance with all applicable codes and standards, including fire-rated construction codes and standards.
4. If the fan will be mounted to ceiling box, the box and its support must be able to support the moving weight of the fan (at least 40 lbs.) The box must not twist or work loose.

WARNING:

TO REDUCE THE RISK OF FIRE, ELECTRICAL SHOCK, OR PERSONAL INJURY, MOUNT TO OUTLET BOX MARKED ACCEPTABLE FOR FAN SUPPORT AND USE MOUNTING SCREWS PROVIDED WITH OUTLET BOX.

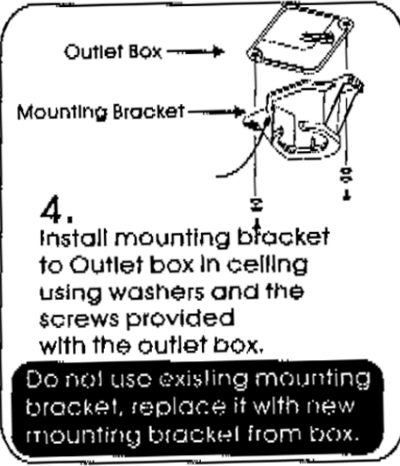
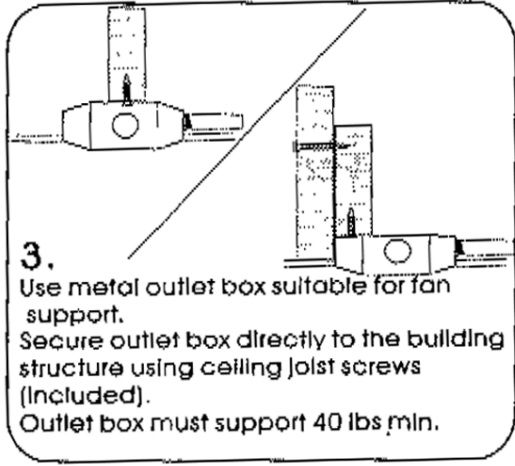
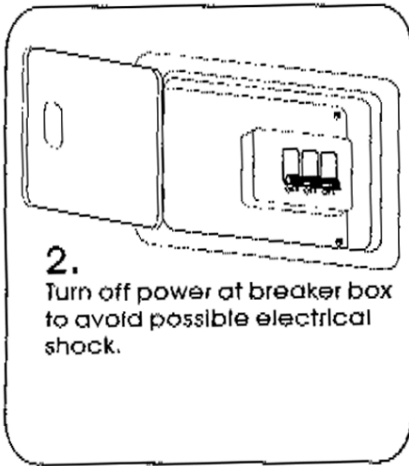
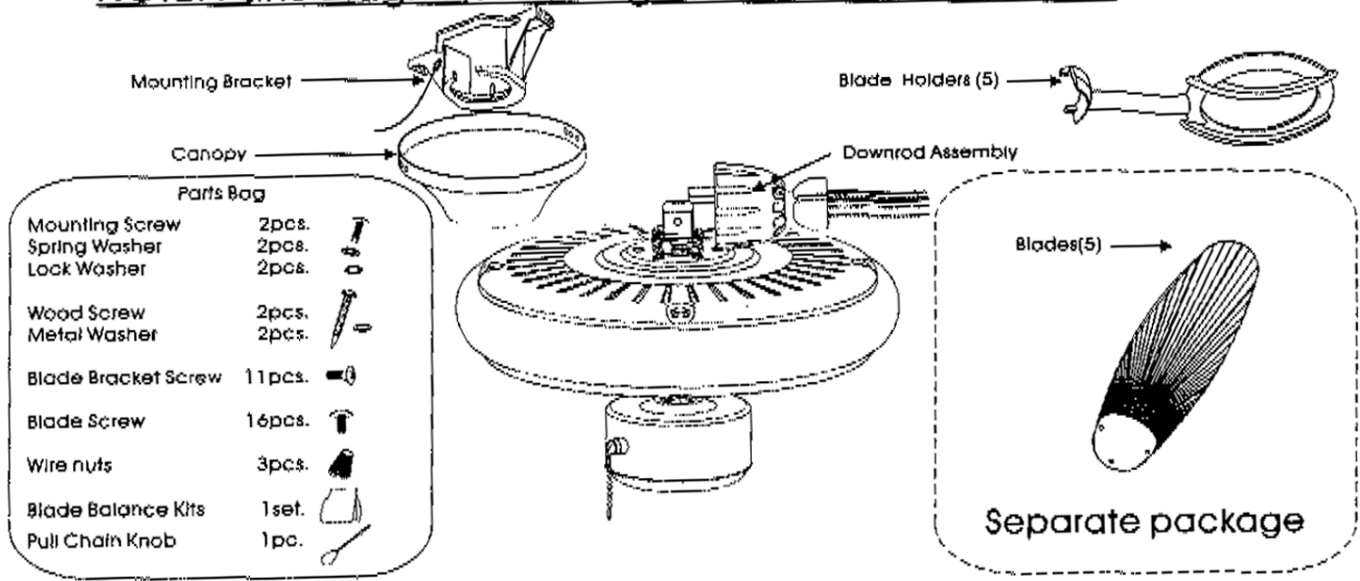
5. If the fan will be mounted to a ceiling joist, the joist must be able to support the moving weight of the fan (at least 40 lbs.)
6. When cutting or drilling into wall or ceiling, do not damage electrical wiring and other hidden utilities.
7. This unit must be grounded.
8. After installation is complete, make sure that all connections are secure to prevent the fan from falling. Make sure all wire connections are secure, and that there are no exposed conductor strands.
9. WARNING: TO REDUCE THE RISK OF PERSONAL INJURY, DO NOT BEND THE BLADE BRACKETS WHEN INSTALLING THE BRACKETS, BALANCING THE BLADES, OR CLEANING THE FAN. DO NOT INSERT FOREIGN OBJECTS IN BETWEEN ROTATING FAN BLADES.
10. Make sure that your installation will not allow the fan to come into contact with any adjacent obstacles such as doors, hanging lamps, etc.
11. If you are installing more than one ceiling fan, do not mix the blade sets.
12. The fan must be mounted with at least 7 feet of clearance between fan blades and floor.
13. This fan is suitable for WET or DAMP locations depending on model, including covered porches, covered decks, or covered gazebos.

WARNING: THE USE OF ANY SPEED CONTROL NOT SPECIFICALLY APPROVED FOR THIS FAN COULD RESULT IN FIRE, ELECTRICAL SHOCK, OR PERSONAL INJURY.



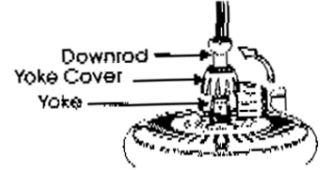
Dan's Fan City, Inc.
Gulf Coast Fans, Inc.
300 Dunbar Avenue
Oldsmar, FL 34677-0106

1. Unpack and inspect fan carefully to be certain all contents are included.
NOTE: Parts diagram showing below may vary in style.

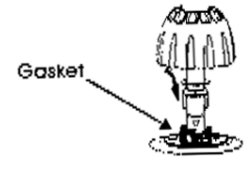


5. Yoke & Downrod Assembly

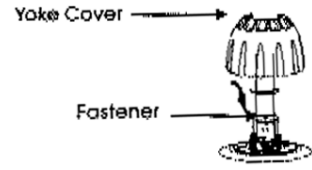
For Wet Location fan: Follow the steps (1) through (6)
 For Damp Location fan: Follow the steps (1) (3) (5) (6) only



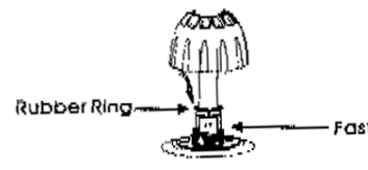
(1) Erect the lying downrod assembly up to vertical position.



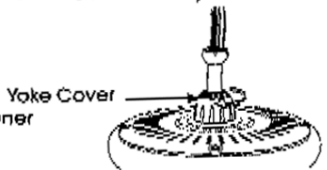
(2) Place the water proof gasket on top of motor housing. (Position all 6 holes on gasket onto 6 screw heads.)



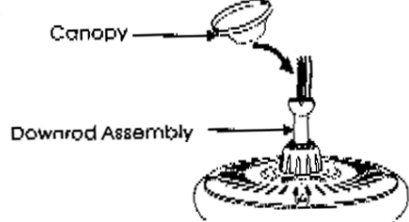
(3) Push the plastic fastener into slots of yoke.



(4) Push down the ring on top of Fastener.

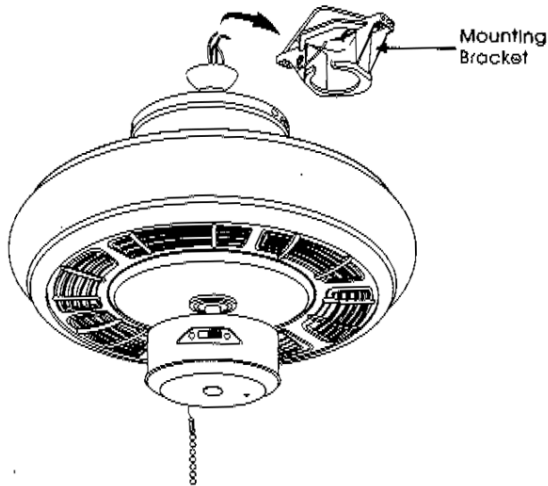


(5) Thread the yoke cover to yoke until fully tightened.

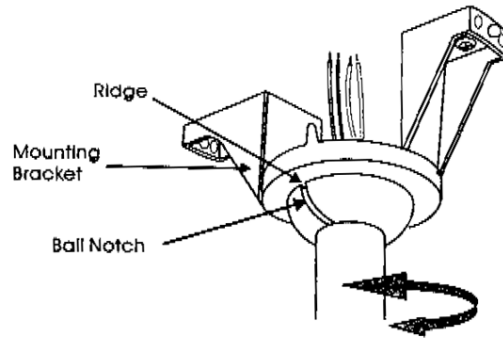


(6) Insert the canopy onto downrod assembly.

Hanging the fan

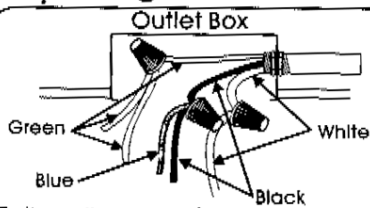


Lift fan assembly onto mounting bracket.



Carefully lift fan assembly onto mounting bracket. Rotate fan so that the notch on the ball engages the ridge in the mounting bracket.

7. Making wire connection



Follow diagram above. Make sure that all exposed wires are secured inside wire nuts.

NOTE:

Wires from house may vary in color and may not include ground wire (Green). After wiring is complete, gently push wires into junction box with nuts pointing upward.

From House

White (Connect)

Black (Connect)

Green (Connect)

From Fan

White

Black

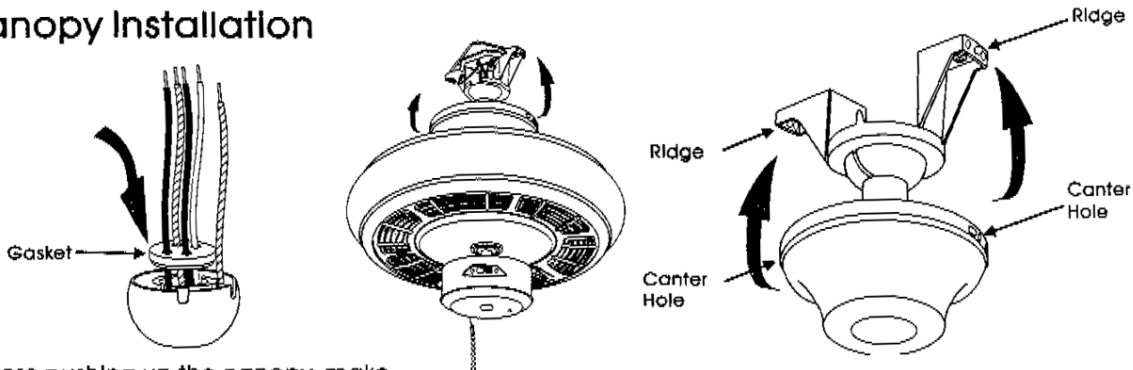
Blue

Green

Green

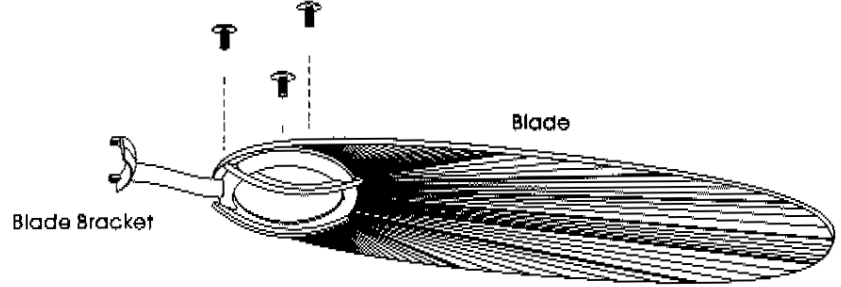
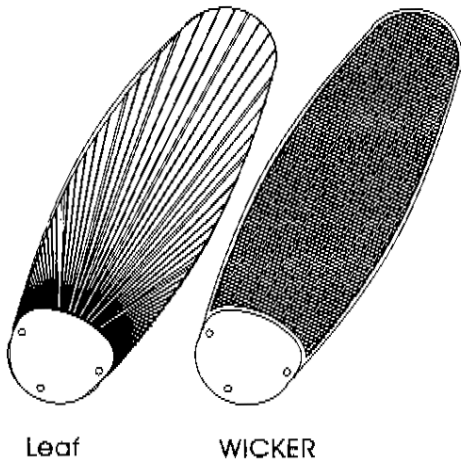
Secure with twist - lock wire connectors. (Included)

8. Canopy Installation



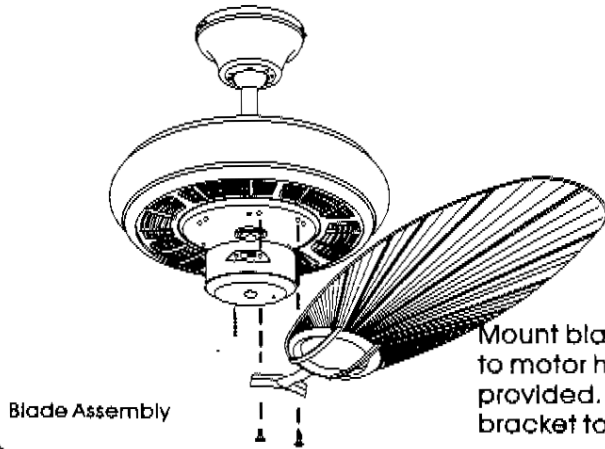
Before pushing up the canopy, make sure the gasket on top of ball is properly inserted for effective water-proofing.

Push up the canopy till two center holes on each side are engaged with two spring ridges on two sides of mounting bracket.



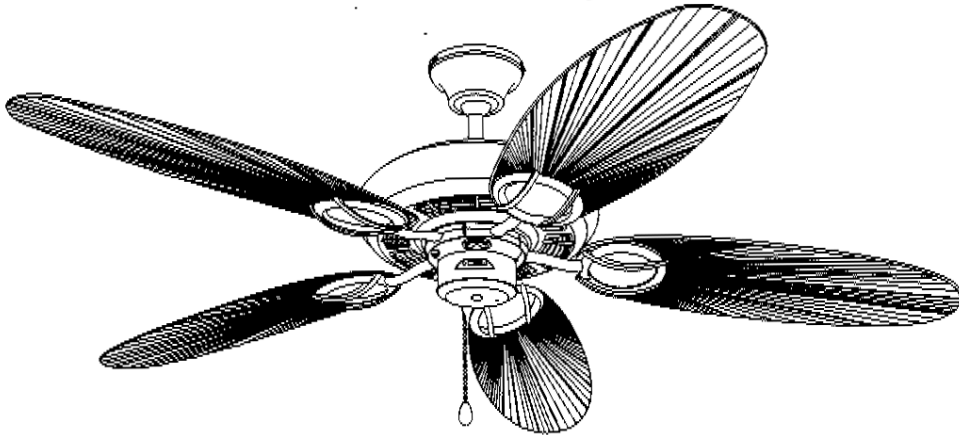
Attach blade to blade bracket with screws provided. Make sure that all screws are firmly tightened.

10. Blades assembly to motor



Mount blade and bracket assembly to motor housing by mounting screws provided. NOTE: Do not bend blade bracket to prevent wobble.

11. Connect the Pull Chain knob to speed chain



12. Turn the power back on at the breaker box. Your fan is read for operation.