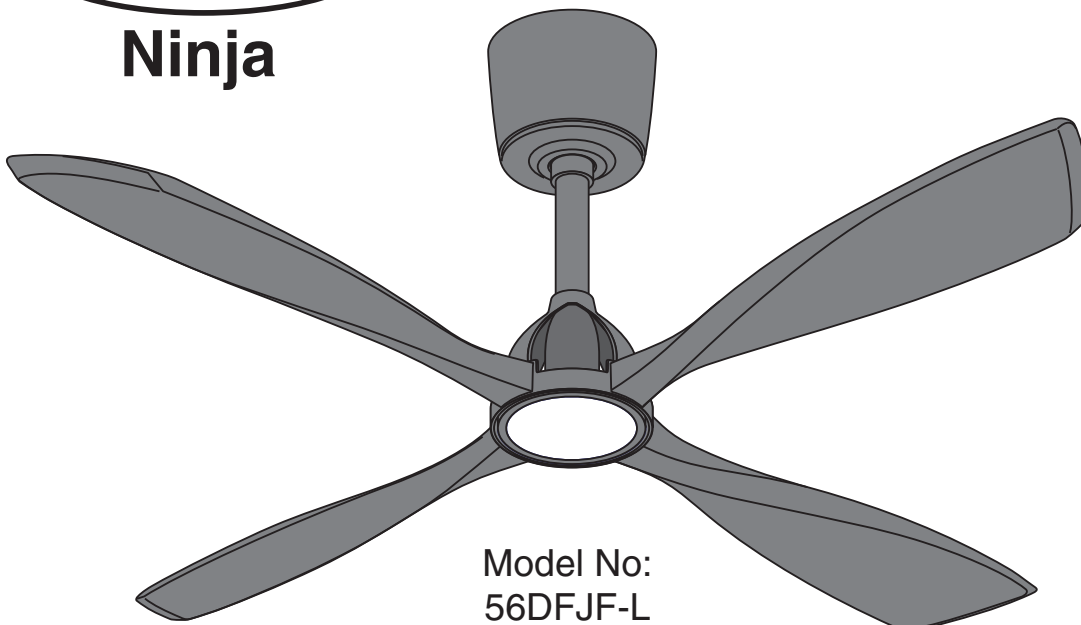


Owner's Manual



Ninja



Model No:
56DFJF-L
HS-1276-B

These instructions contain 5 pages:

Page 1: Foreword

Page 2: Unpack and inspect parts contained, and Hanging system installation

Page 3: Wire connections

Page 4: Mounting Motor Assembly and Canopy installation

Page 5: Blade and Light installation, and Remote setting

Net Weight

7.88 KGS

17.4 LBS

Toll Free 1-855-676-7247

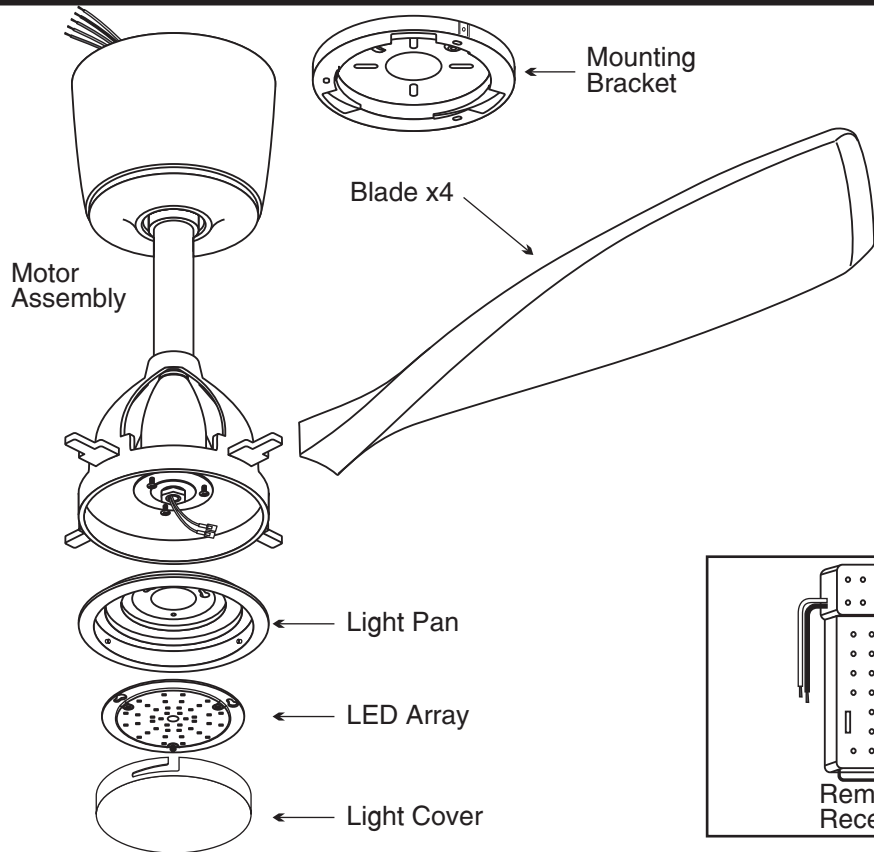
WARNING: Read and follow these instructions carefully and be mindful of all warnings shown throughout.

READ AND SAVE THESE INSTRUCTIONS

WARNING : TO REDUCE THE RISK OF FIRE, ELECTRICAL SHOCK, OR INJURY TO PERSONS, PLEASE OBSERVE THE FOLLOWING:

- 1.] To ensure success of installation, be sure read these instructions and review the diagrams thoroughly before beginning.
- 2.] **To avoid possible electric shock, be sure electricity is turned off at the main power box before wiring.**
All electrical connections must be made in accordance with local codes, ordinances and/or the National Electrical Code. If you are unfamiliar with the methods of installing electrical wiring and products, secure the services of a qualified and licensed electrician as well as someone who can check the strength of the supportive ceiling members and make the proper installations and connections.
- 3.] Make sure that your installation site will not allow rotating fan blades to come into contact with any object. Blades should be at least 7 feet from the floor when fan is in operation.
- 4.] If possible, mount ceiling fan on a ceiling joist - the joist must be able to support the motion and weight of the moving fan. If the fan will be mounted on a ceiling outlet box, a 4" x 2 1/8" deep METAL octagon box is required; one UL listed as "suitable for fan support". The box and its supporting members must not be able to twist or work loose. **DO NOT USE PLASTIC BOXES.** Installation on a concrete ceiling should be performed by qualified personnel.
- 5.] Blades should be attached after motor housing is hung and in place. Fan motor housing should be kept in carton until ready to be installed to protect its finish. If you are installing more than one ceiling fan, make sure that you do not mix fan blade sets.
- 6.] After making electrical connections, spliced conductors should be turned upward and pushed carefully up into the outlet box. The wires should be spread apart with the grounded conductor and the equipment-grounding conductor on one side of the outlet box and the "HOT" wires on the other side.
- 7.] Electrical diagrams are for reference only. Light kits that are not packed with the fan must be UL/ETL listed and should be installed per the light kit's installation instructions.
- 8.] After fan is completely installed, check to make sure that all connections are secure to prevent fan from falling and/or causing damage or injury.
- 9.] The fan can be made to work immediately after installation. The bearings are adequately charged with grease, so that, under normal conditions, further lubrication should not be necessary.
- 10.] The fan must be turned off and stopped before reversing fan direction.
- 11.] This fan is suitable for sloped ceiling.
- 12.] This fan is electrically reversible.
- 13.] This fan includes an integrated light kit.
- 14.] This fan is controlled by remote control.
- 15.] This fan is suitable for indoor use.

Unpack and inspect fan carefully to be certain all contents are included.



Hardware Bag

For Mounting Bracket:

- Flat Washer x6
- Star Washer x2
- Spring Washer x6
- Machine Screw x2
- Wood Screw x4

For Wire Connection

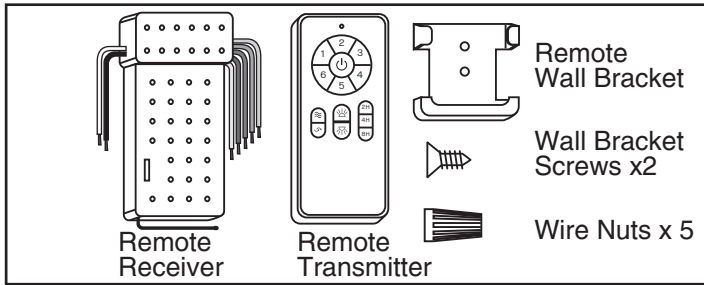
- Wire Nut x3

For Mounting Motor

- Allen wrench x1

For Blade Installation

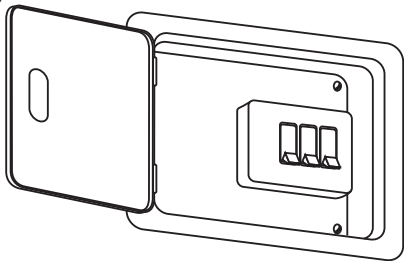
- Blade Screw x12 +1



WARNING: blades should be at least 7 feet from floor

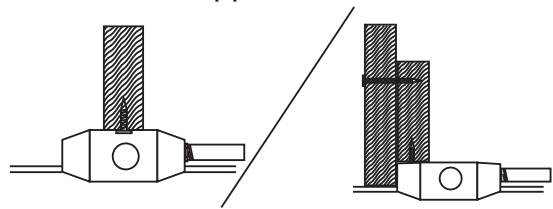
Note 1:

Turn off power at breaker box to avoid possible electrical shock.



Note 2:

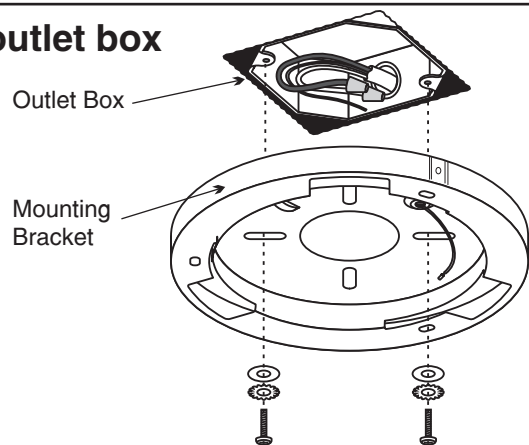
Use metal outlet box suitable for fan support. Outlet box must support 35 lbs min.



1. HANGING SYSTEM INSTALLATION

1A. Installing mounting bracket to ceiling outlet box

Install mounting bracket to outlet box in ceiling by using screws included with the outlet box and washers from the hardware bag.



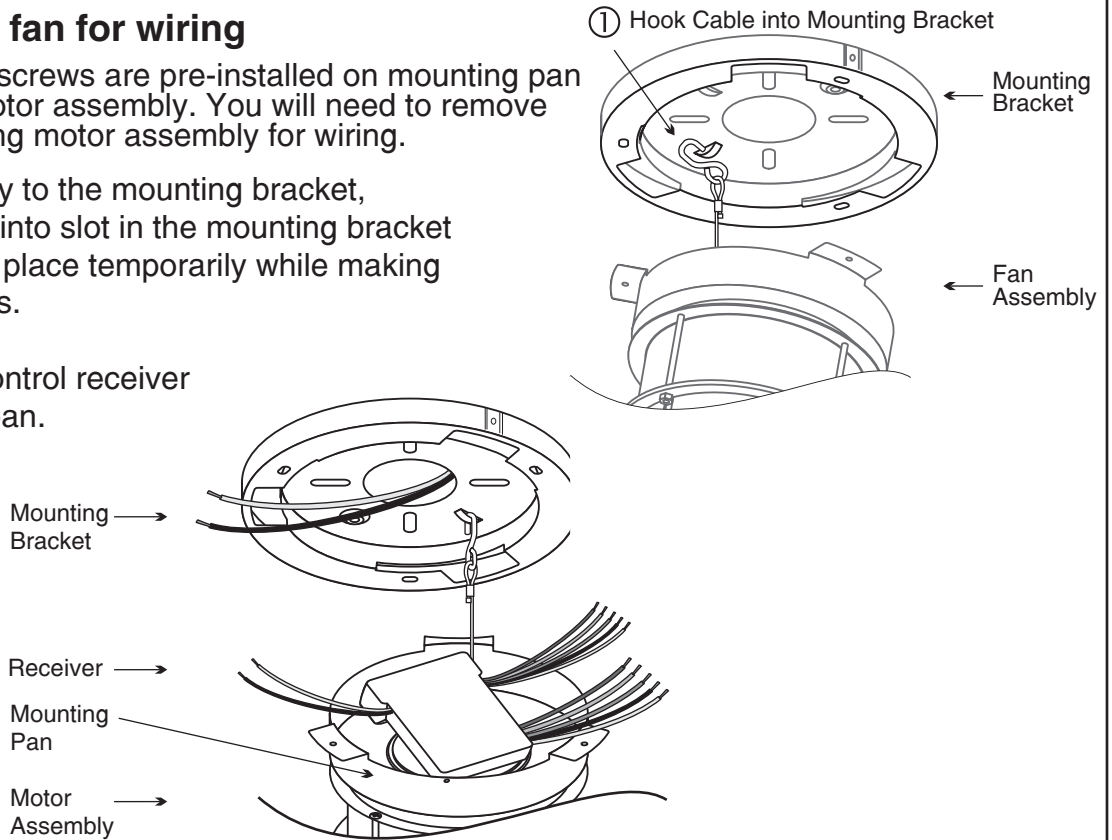
2. WIRING CONNECTIONS

2A. Hanging the fan for wiring

Note: Three flange screws are pre-installed on mounting pan for mounting the motor assembly. You will need to remove these screws to hang motor assembly for wiring.

- ① Lift fan assembly to the mounting bracket, and hook cable into slot in the mounting bracket to hold motor in place temporarily while making wire connections.

- ③ Insert remote control receiver into mounting pan.

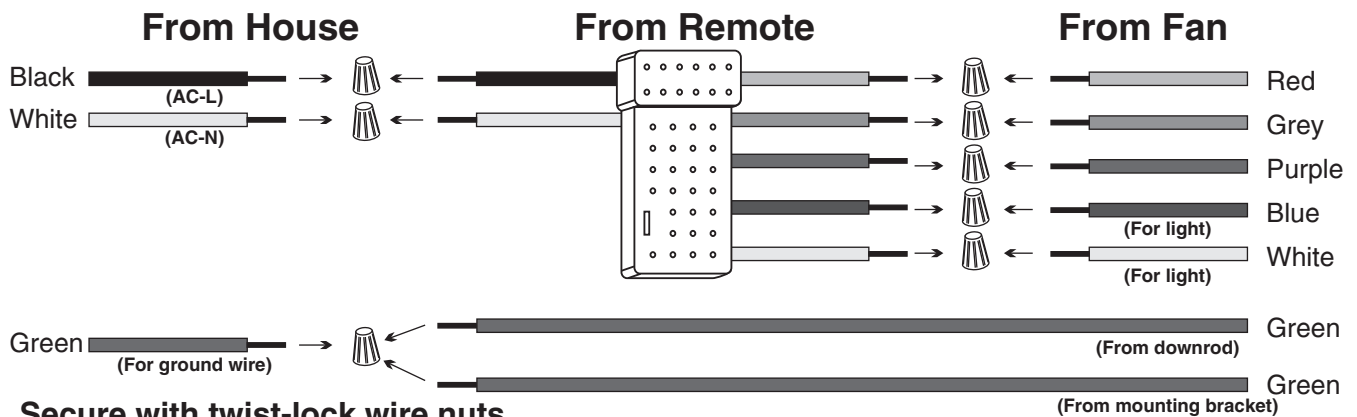


2B. Making electrical wire connections

Follow separate instructions enclosed with the remote control.

The diagram below is for convenience. If there is any confusion please refer to the instructions enclosed with the remote control. Make sure that all wires are secured inside wire nuts.

Note: Wires from house may vary in color and may not include ground wire (green). After wiring is complete, collect wires neatly inside mounting bracket.



3. MOUNTING MOTOR ASSEMBLY

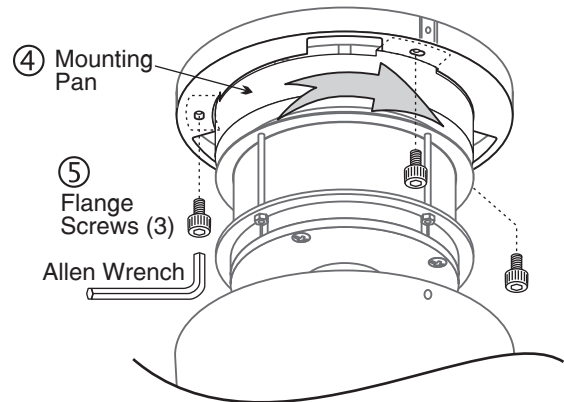
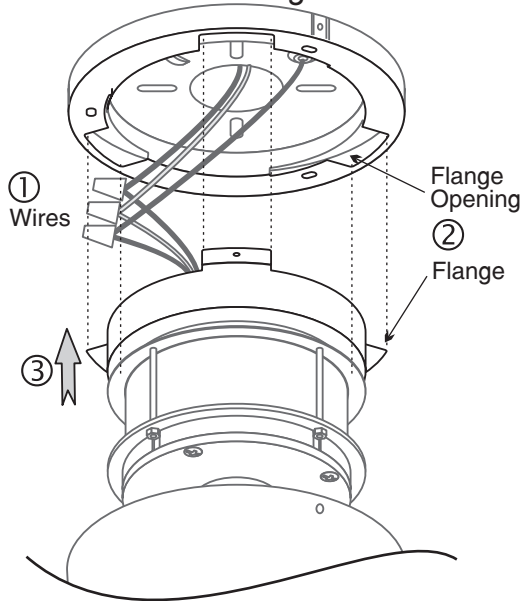
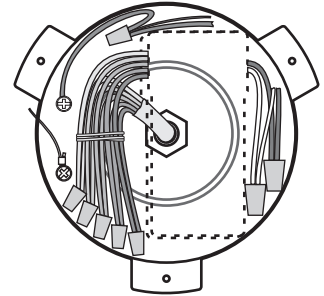
3. Mounting the motor assembly

- ① Arrange wires and connectors carefully into mounting pan.
Flatten out the wires coming out of center nut
Tip: Bundle the wire group with a rubber band or twist tie.

Do not let wires get pinched while securing the motor.

- ② Align three flanges with the three openings in mounting bracket
- ③ and lift motor assembly into place.

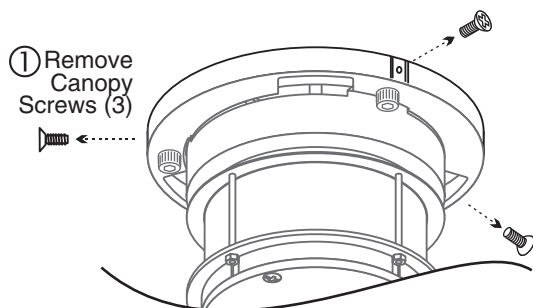
- ④ Rotate mounting pan so that flanges slide into the slots of mounting bracket
- ⑤ and insert the three flange screws and secure firmly with allen wrench.



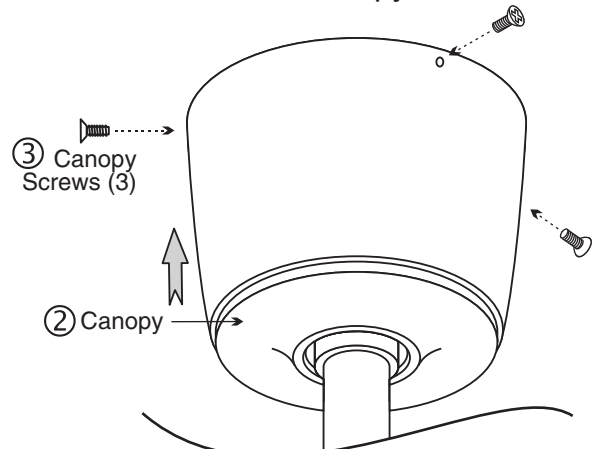
4. CANOPY INSTALLATION

4. Installing the canopy

- ① Remove three canopy screws from mounting bracket.



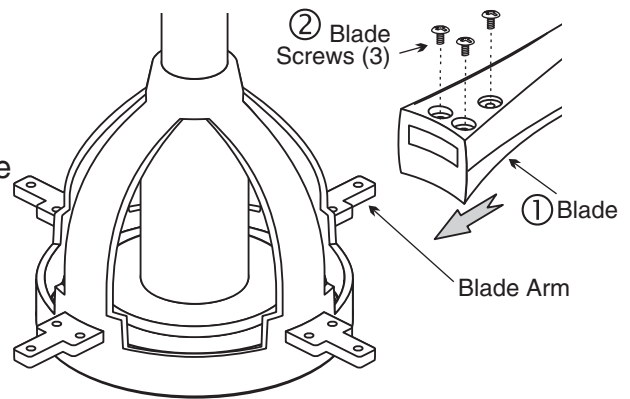
- ② Slide canopy up to mounting bracket so that screw holes are aligned.
- ③ and secure with three canopy screws.



5. BLADE INSTALLATION

5. Installing the blades

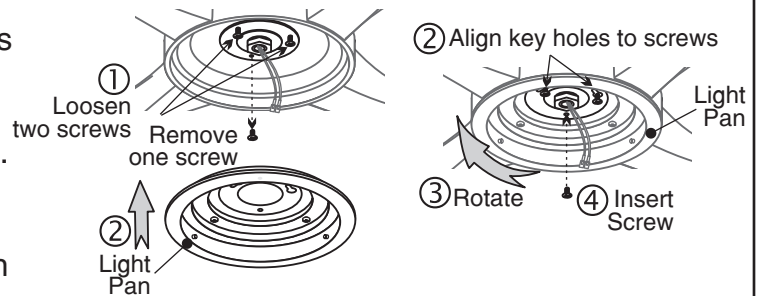
- ① Slide blade onto blade arm so that screw holes are facing upwards.
- ② Secure with blade screws, starting with one of the innermost holes to best align the other holes. Repeat for remaining blades.



6. LIGHT INSTALLATION

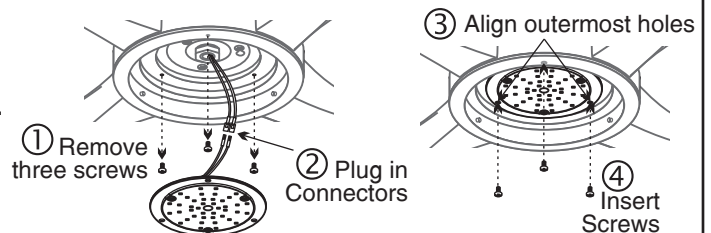
6a. Installing the Light Pan

- ① Remove one screw and loosen two screws from the central hub.
- ② Lift light pan to motor to engage the large end of the key holes with the screws.
- ③ Rotate the plate slightly to engage two screws in small ends of key holes.
- ④ Insert screw removed in step 1 and tighten all three screws.



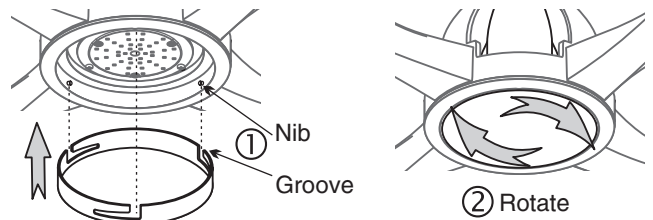
6b. Installing the LED Array

- ① Remove three screws from the light pan.
- ② Plug in wire connectors, matching wire colors.
- ③ Lift LED array to light pan, aligning the outermost holes in LED plate (not the keyholes) to the outermost threaded holes in Light Pan.
- ④ Insert screws removed in step 1 and tighten all three screws.



6c. Installing the Light Cover

- ① Lift cover to motor aligning the opening of the grooves to the nibs inside the lower plate.
- ② Rotate cover clockwise to secure it to motor assembly.



7. REMOTE SETTING

7. Setting the Remote Control

Follow the separate instructions enclosed with the remote control. This fan model has an optional integrated dimmable LED array; Use the "D" dimming setting for the Light Function Select Switch.

INSTALLATION IS COMPLETE