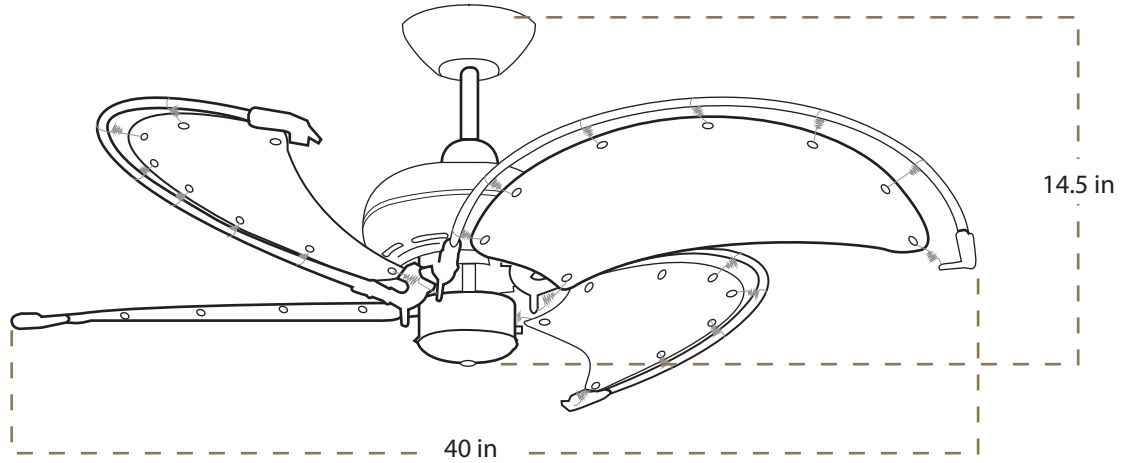


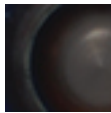
THE CEILING FAN
SHOPPE[®]
 EST. 2005



FEATURES

- 5 YEAR OUTDOOR / 25 YEAR INDOOR LIMITED WARRANTY
- 4 SPRING-FRAME, FABRIC BLADES IN (*) CANVAS
- 3 SPEED PULL CHAIN, SWITCH REVERSIBLE OPERATION
- 5 IN. DOWN ROD, 1/2 IN. DIAMETER, SUITABLE FOR 8 FT. CEILINGS AND UP, LONGER DOWN RODS ALSO AVAILABLE
- 153X17 MM ENERGY EFFICIENT MOTOR, QUIET OPERATION
- AIRFLOW 3764 CF/M, ENERGY USED 59.8 WATT,
- AIRFLOW EFFICIENCY 63 CF/M/W
- APPROPRIATE FOR ROOM SIZE UP TO 12 X 12 FT.
- LIGHT KIT ADAPTABLE (3/8 IN. DIAMETER CENTRAL THREADED ROD)
- REMOTE CONTROL ADAPTABLE (UNIVERSAL TYPE, CANOPY MOUNT)

FINISHES



OIL RUBBED BRONZE



BRUSHED NICKEL

**ENERGY INFORMATION
 AT HIGH SPEED**

AIRFLOW	ELECTRICITY USE	AIRFLOW EFFICIENCY
3764	59.8	63
CUBIC FEET PER MINUTE	WATTS (EXCLUDES LIGHTS)	CUBIC FEET PER MINUTE PER WATT

*DISCLAIMER: CEILING FAN MOTOR HAS BEEN TESTED WITH THE CORRESPONDENT SIZE BLADES.