

MODERN
FORMS
SMART
FANS

Ultra

Germicidal* Smart Fan

Installation Instructions



*Reduces the SARS COV-2 viruses and other airborne pathogens.



**Please read and
save these instructions
before installation**

DO NOT RETURN TO STORE

General Inquiries

For all questions about your ceiling fan please read all included instructions, installation procedures, troubleshooting guidelines and warranty information before starting installation.

For missing parts or general inquiries call our trained technical staff at:

1-866-810-6615 option 0

MON-FRI 8AM-8PM EST

Email: customerservice@modernforms.com

Or live chat at modernforms.com

Fan Support

For fast service have the following information below when you call:

1. Model Name and Number
2. Part Number and Part Description
3. Date Of Purchase and Purchase Location

1-866-810-6615 option 1

MON-FRI 8AM-8PM EST

Email: fansupport@modernforms.com

Safety Rules

For operation, maintenance, and troubleshooting information, visit <http://modernforms.com/fan-support/>

To reduce the risk of electric shock, ensure electricity has been turned off at the circuit breaker before beginning. All wiring must be in accordance with the National Electrical Code “ANSI/NFPA 70” and local electrical codes. Electrical installation should be performed by a licensed electrician. The fan must be mounted with a minimum of 7 ft. (2.1m) clearance from the trailing edge of the fan blades to the floor and a minimum of 1.5 ft (0.5m) from the edge of the fan blades to the surrounding walls. Never place objects in the path of the fan blades. To avoid personal injury or damage to the fan and other items, please be cautious when working around or cleaning the fan. To avoid electrical shock or damage to the motor or finish, do not use water or chemicals when cleaning the fan or fan blades. A dry cloth or lightly dampened cloth will be suitable for most cleaning.

After making electrical connections, spliced conductors should be turned upward and pushed carefully up into the outlet box. The wires should be spread apart with the grounded conductor and the equipment-grounding conductor on one side of the outlet box, and the ungrounded conductor on the other side of the outlet box.

WARNING: This product should be installed by a licensed electrician. This product should be mounted to an outlet box UL-listed marked “Acceptable for fan support” of 15.9 kg (35 lbs) or less and should use mounting screws provided with the outlet box and/or support directly from building structure. Most outlet boxes commonly used for the support of luminaires are not acceptable for fan support. Consult a licensed electrician.

All set screws must be checked and re-tightened where necessary before installation.

WARNING: Do not install or use your fan if any part(s) is/are damaged or missing. This product is designed for use only with the supplied parts and/or accessories designated for use with this product by Modern Forms. Substitution of parts or accessories not designated for use with this product by Modern Forms could result in personal injury or property damage and will void the warranty. Contact an authorized dealer or the manufacturer if any parts are damaged or missing.

WARNING: Do not install this product in a location or manner that is not specifically designed to accommodate the product as set forth in the instruction manual. Failure to use the product as instructed may cause serious injury or damage.

WARNING: To reduce the risk of electric shock, this fan must be installed and operated with the supplied remote control, or controlled from the Modern Forms app.

WARNING: Do not use power tools to assemble or install your fan. Using power tools can result in improper assembly which can lead to noise or fan damage, personal injury or property damage.

WARNING: To reduce the risk of personal injury, do not bend the blade arms when installing the brackets, balancing the blades or cleaning the fan.

WARNING: Do not insert foreign objects between rotating fan blades.

WARNING: Do not operate fan unless fan blades are in place. Noise and fan damage can occur

WARNING: This appliance is not intended for use by young children without supervision.

WARNING: To reduce the risk of fire, electric shock, personal injury or damage to the fan or other items, the outlet box and support structure must be securely mounted and capable of reliably supporting a minimum of 35 lbs (15.9 kg). Use only UL/cUL listed outlet boxes marked “FOR FAN SUPPORT.” Use only the screws and washers provided with the outlet box.

⚠ CAUTION: Before assembling your fan, refer to the “Making the Electrical Connections” section. If you feel you do not have enough wiring knowledge or experience, have your fan installed by a licensed electrician.

NOTE: Before servicing or cleaning the fan, switch power off at the circuit breaker.

UV Safety Rules

When using electrical equipment, basic safety precautions should always be followed including the following:

WARNING: Ultraviolet (UV) Radiation Hazard. The lamp in this unit produces UVC radiation. Direct exposure of skin and eyes to UVC radiation may cause damage similar to sunburn reaction to the skin and injury to the eyes. Never look directly, even briefly, at the light source of a UVC lamp. Skin burns and eye injuries from UVC exposure usually resolve within a week with no known long-term damage. Since the penetration depth of UVC radiation is very low, the risk of skin cancer, cataracts or permanent vision loss is also thought to be very low. The type of eye injury associated with exposure to UVC causes severe pain and a feeling of having sand in the eyes. Sometimes people are unable to use their eyes for one to two days. It can occur after a very short exposure (seconds to minutes) to UVC radiation. This product, including the UVC lamp and all of the product’s components, should be used as instructed in this manual and the directions for use and operations, including, including complying with all adequate safety safeguards, including but not limited to, those indicated in the mounting instructions. This product must be mounted and installed as instructed to ensure that the UV-C lamp can be operated in a safe way.

WARNING: This equipment is designed for use with UV radiation sources and must be installed in compliance with technical directions to prevent risk of personal injury from UV radiation.

WARNING: UV radiation can pose a risk of personal injuries. Direct exposure can result in damage to eyes and skin. To reduce risk of exposure this equipment must be installed in accordance with the manufacturer’s installation instructions.

WARNING: UV and optical radiation can be reflected by surrounding surfaces such as ceilings and walls. Since the reflective properties of surfaces can vary widely, they should be considered as part of site planning. For example, UV light may lead to a change in the color of paint that has not been UV stabilized. Fading or discoloration of materials directly exposed to UV radiation should be considered normal wear. Use normal paints for the surface (e.g., the ceiling) above the fan as they substantially absorb UV light. Do not paint the surface (e.g., the ceiling) with paint designed to reflect UV light.

WARNING: It is the responsibility of the installer to ensure that persons will not be directly exposed to UV or optical radiation during equipment operation. This will require the installer to conduct an assessment of irradiance or illuminance levels in the surrounding occupied spaces prior to occupancy.

WARNING: Equipment must be mounted in locations and heights where it will not be readily subjected to tampering by unauthorized personnel.

WARNING: Maintenance and servicing of this UV product must be performed by authorized personnel. Service personnel must wear appropriate Personal Protective Equipment (PPE) if the equipment will be in operation during the maintenance or servicing work. Contact the equipment manufacturer for PPE recommendations and guidance.

WARNING: The use of accessory equipment not recommended by the manufacturer may cause an unsafe condition.

WARNING: Do not use this equipment for any purpose other than intended use.

WARNING: Do not install the fan where the top of the UV module can be visible, for example, beneath a catwalk or breezeway that will permit direct exposure to UV radiation.

Disclaimer: Failure to use the product as instructed may also negatively impact the product’s effectiveness in the inactivation of certain viruses or other harmful micro-organisms. Manufacturer and its affiliates do not promise or warrant that the use of this product will protect or prevent any user from infection and/or contamination with any harmful micro-organisms, illness or disease. This product is not approved nor intended to be used to disinfect any device, including medical devices. In addition to and without limitation of any exclusions or limitations of liability of the manufacturer and its affiliates as set forth in the user manual or any agreement for sale, distribution or otherwise making available of this product, the manufacturer and its affiliates shall have no responsibility or liability whatsoever for any claim or damage that may arise from or relate to any use of this product outside of its intended use or contrary to the installation and operation instructions, as described in the user manual and any other documentation provided to the user, including mounting instruction.

Disclaimer: While there may be information here or on our website relating to the effectiveness of the UV-C technology incorporated in the ULTRA in reducing SARS-CoV-2 and other pathogens in the air, Modern Forms makes no claims that its products can cure, treat or prevent any conditions, including COVID-19 or other conditions that may be caused by airborne pathogens. Always consult your healthcare provider with any health-related questions. Whole room pathogen concentrations will vary between installation locations, and the number of ULTRA fans installed, and it is not possible to predict the extent of reductions that will be achieved by the ULTRA in whole room air in any particular room or environment. The ULTRA is not a substitute for good building air exchange practices or manual cleaning and disinfection practices.

Get Smart...

Contents

Integrates seamlessly with:

devices you already own



Premium smart features:

complement high quality materials



Wet Location-listed to the strictest UL/cUL safety regulations. Finished and rated for interior and exterior use



Wi-Fi and Bluetooth enabled for flexible control



Quiet, reliable, and up to 70% more efficient than AC fans



Bluetooth Remote Control
ON/OFF
6 fan speeds
F-RCUV-WT White

Accessories:

personalize your experience



1. Mounting Options	10
2. Installing the Mounting Bracket	12
3. Hanging the Fan	12
3. Hanging the Fan cont.	14
4. Attaching the Fan Blade	14
5. Making the Electrical Connections	16
6. Finishing the Installation	18
7. Controlling the Fan	20-21
8. Reset	22
9. Breeze Mode	22
10. Application	22
11. Accessories	24
12. Troubleshooting	24
13. Troubleshooting cont.	25-28

Tools Required



Package Contents

1. Blade Set of 3
RPL-F2102-54-BD-**-**

2. Hanger Assembly -
Mounting Bracket
Downrod Assembly
RPL-HGR-ASM-10_**-**
(optional 6" rod included for closer to ceiling
mount applications)

3. Canopy & Canopy
Screw Ring
RPL-CAN-CYL_**-**

4. Coupling Cover
RPL-COU-CVR_**-**

5. Motor Assembly

5A. Aluminum Tray¹
RPL-F-UV7INTRAY_**-**
(UV Module not included)

5B. UV Module²
UVF7IN-120V-R1-MOD

6. Control Receiver
w/Hardware
F-R3-2102-054

7. Remote w/Wall Cradle
F-RCUV-WT

** Denotes finish code of fan

¹ If you need a replacement tray - please order part no. RPL-F-UV7INTRAY_**-**

² If you need a replacement UV module - please order part no. UVF7IN-120V-R1-MOD

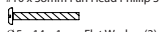
Contact fansupport@modernforms.com if you need glass fixing plates, silicone rings, or hardware

Hardware Bag RPL-F2102-PARTS

- Part A
- Part B
- Part C
- Part D

Hardware Bag
RPL-F2102-PARTS

A: Junction Box
#10 x 38mm Pan Head Phillip Screws (2)



Ø5 x 14 x 1mm Flat Washer (2)



3/16" Star Washer (2)



B: Blade Screw / Washers

3/16" 6mm Philip Washer Head Screws (10)



Ø5.5x12x1mm Flat Washer (10)



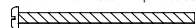
C: Safety Cable
Ø6.5x19x2mm Flat Washer (1)



3/16" (Ø5.2x8.4x1.0mm) Spring Washer (1)



#10x76mm Pan Head Phillip Wood Screws (1)



D: Wire Connectors (8)
(Found with the receiver)

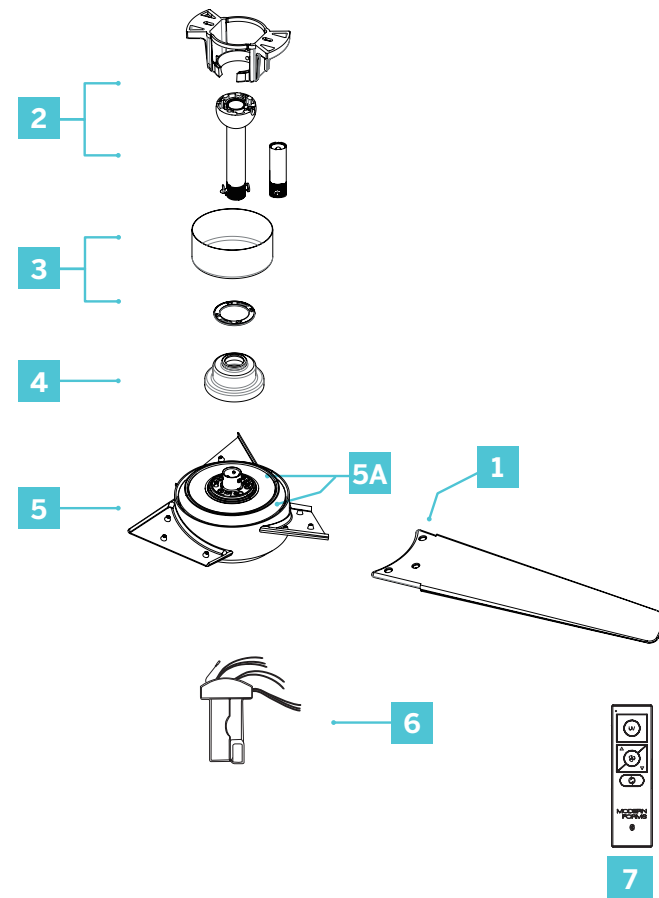


Hanging Weight: 20 lbs



MAC ID

IMPORTANT: Please make note of the MAC ID on the receiver and keep it in a safe place.



! Before discarding packaging materials be certain all parts have been removed.
Place the parts from the hardware bag into a small container to keep them from being lost.

1. Mounting Options

⚠ CAUTION: To prevent electrical shock, ensure electricity has been turned off at the circuit breaker before beginning.

If there isn't an existing UL/cUL listed outlet box, please refer to the following instructions. Secure the outlet box directly to the building structure. Use appropriate fasteners and building materials. The outlet box and support structure must be able to fully support the moving weight of the fan (at least 35 lbs/15.9 kg). Do not use plastic outlet boxes. Use only UL/cUL listed outlet boxes marked "FOR FAN SUPPORT."

Secure the outlet box directly to the building structure. Use Part A (if needed)

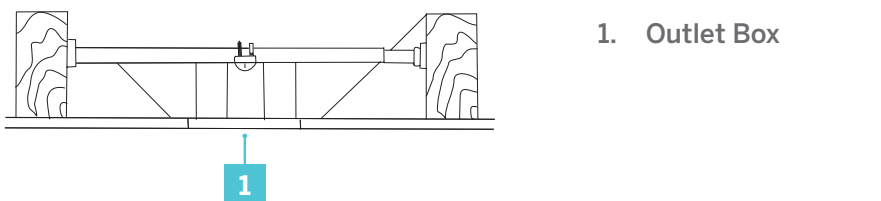
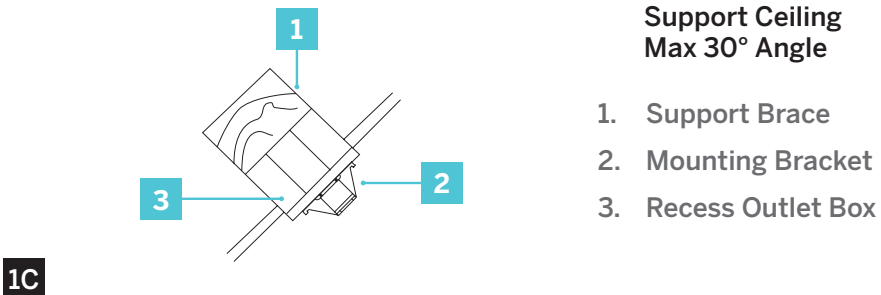
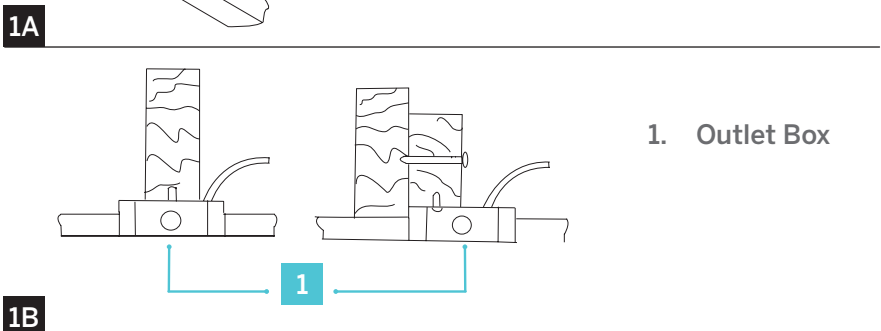
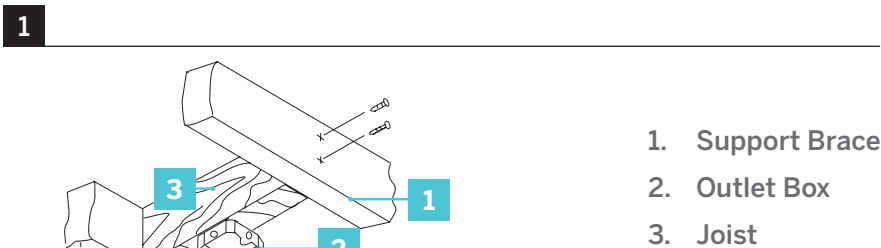
Figures 1-1C are examples of different ways to mount the outlet box.

NOTE: To hang your fan where there is an existing fixture but no ceiling joist, you may need an installation hanger bar.

NOTE: Downrod fans can be suspended up to a maximum recommended length of 72" using additional downrods (sold separately) and the included 80" lead wire.

NOTE: The sloped ceiling kit (sold separately) is required for sloped ceiling applications, and will accommodate slopes up to 45° (Fig. 1B).

NOTE: You may need a longer downrod to maintain proper blade clearance when installing on a steep, sloped ceiling (Fig. 1B).



2. Installing the Mounting Bracket

Remember to disconnect the power at the circuit breaker.

1. Remove 1 of 2 screws from the bottom of the mounting bracket and save for use in section 11. Loosen the other screw (Fig. 2).
2. Pass the 120-volt supply wires through the center hole in the mounting bracket as shown (Fig. 2A).
3. Secure the mounting bracket to the ceiling outlet box with the screws and washers provided with your outlet box.

NOTE: Make sure that mounting screws are tight.

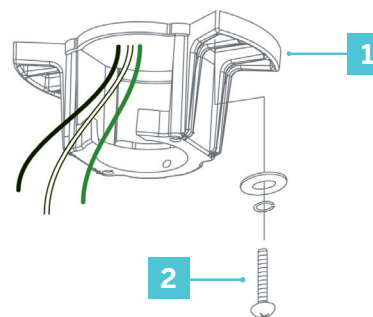
3. Attaching the Fan Blade

1. Secure blade with blade attachment screws and washers. (Fig. 3) Use part B.
2. Repeat this procedure with the remaining blades.
3. You are ready to hang the fan - the UV Tray/Module comes pre-assembled to the motor housing. Ref. Part No. 5A/5B.

4. Hanging the Fan

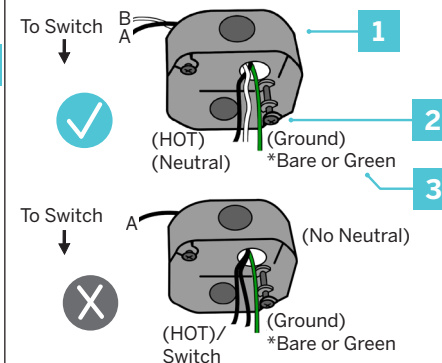
1. Take out the screw located in the hanger ball, lower the hanger ball and remove the cross pin. Remove the hanger ball from the hanger ball/downrod assembly. (Fig. 4) You may use the optional 6-inch rod if you prefer. The 10-inch rod is optimal for airflow production and replacing the UV module in the future.
2. Remove the clevis pin and cotter pin and loosen the two collar screws from the motor collar.
3. Feed motor wires and safety cable through coupling cover, canopy ring, and canopy. (Fig 4A)
4. Carefully feed the motor wires and safety cable up through the downrod. Thread the downrod assembly onto motor collar. (Fig 4B)

2



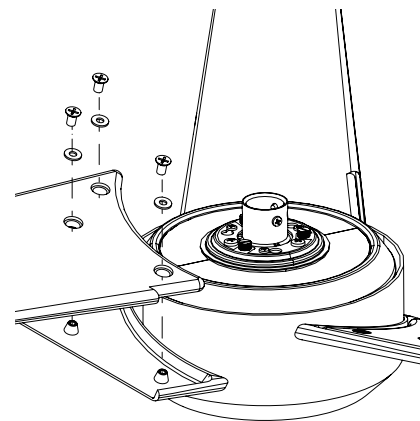
1. Mounting Bracket
2. Screw

2A

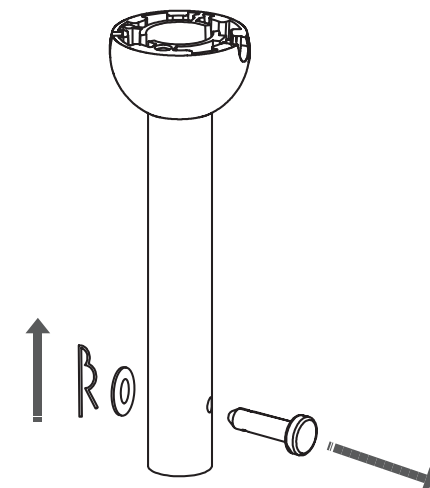


1. cUL Listed Electrical Box
2. Mounting Screws (outlet box screws not included)
3. 120V Wires

3



4



4. Hanging the Fan cont.

- Align the holes of the downrod and collar and insert the cotter pin and clevis pin. Tighten the two collar screws. (Fig 4B)
- Slip the coupling cover, canopy screw ring (painted side down), and canopy (opened side up) onto the downrod. (Fig. 4B)
- Reinstall the hanger ball onto the downrod, being sure that the cross pin is in the correct position and the screw is tightened. (Fig 4B)

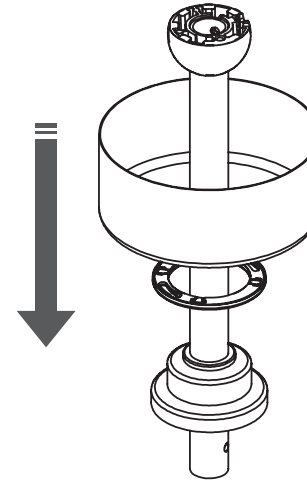
⚠ WARNING: Failure to properly install the cotter pin and/or tighten the set screws could result in the fan loosening and possibly falling.

NOTE: Make sure all screws are tightened and that wires are not twisted.

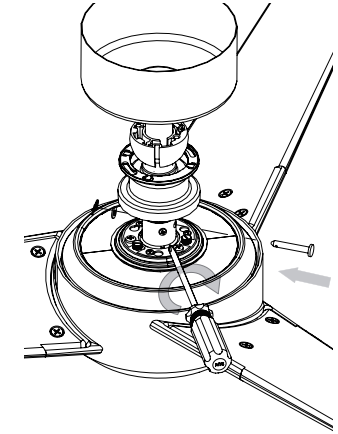
- Carefully lift the fan motor assembly up to the mounting bracket and seat the hanger ball in the mounting bracket socket. Make sure the tab on the mounting bracket socket is properly seated in the groove in the hanger ball. Rotate the socket assembly until the ball drops and locks into the hanger bracket screw. (Fig. 4C)
- Secure the safety cable into the structure beams using the wood screw, washers, and spring washers provided (Fig. 4D).

NOTE: A Safety cable is required for all installations in Canada. Safety cable is required for ceiling fan and light combinations over 35 lbs. in both flush and downrod models in the United States. Use Part C.

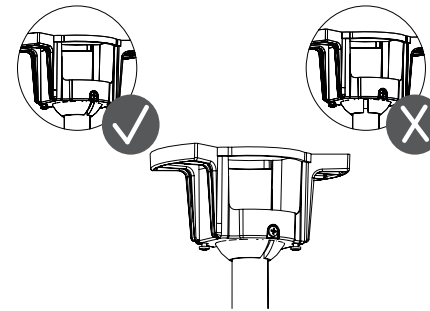
4A



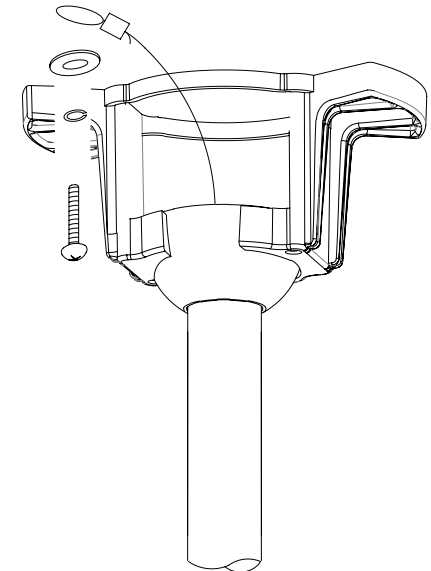
4B



4C



4D



- Mounting Bracket
- Screw
- 120V Wires
- cUL Listed Electrical Box
- Mounting plate
- Mounting screws
- Safety cable

5. Making the Electrical Connections

⚠ WARNING: Installation of this fan requires that a three-conductor cable (including ground wire) which should run between ceiling and wall outlet box.

⚠ WARNING: Check to see that all connections are tight, including ground, and that no bare wire is visible at the wire nuts, except for the ground wire.

Insert the receiver into the mounting bracket with the flat side of the receiver facing the ceiling (Fig. 5).

Motor to Receiver & Receiver to house supply wires (Fig. 5A).

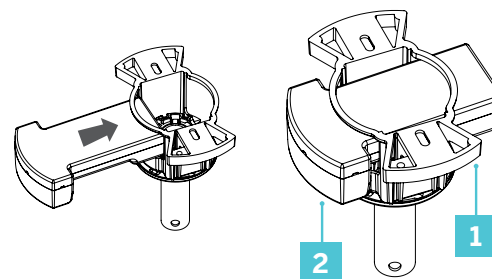
1. Connect the hanger ball/downrod assembly ground wire, mounting bracket ground wire and receiver ground wire to the ground wire in outlet box

⚠ WARNING: Failure to connect ground wires could result in poor fan control functionality.

2. Connect the red wire from the fan to the red wire marked "TO MOTOR" from the receiver.
3. Connect the grey wire from the fan to the grey wire marked "TO MOTOR" from the receiver.
4. Connect the yellow wire from the fan to the yellow wire marked "TO MOTOR" from the receiver.
5. Connect the white wire from the fan to the white wire marked "FOR LIGHT" from the receiver.
6. Connect the blue wire from the fan to the blue wire marked "FOR LIGHT" from the receiver.
7. Connect the black (hot) wire from the ceiling to the black wire marked "AC in L" from the receiver.
8. Connect the white (neutral) wire from the ceiling to the white wire marked "AC in N" from the receiver.

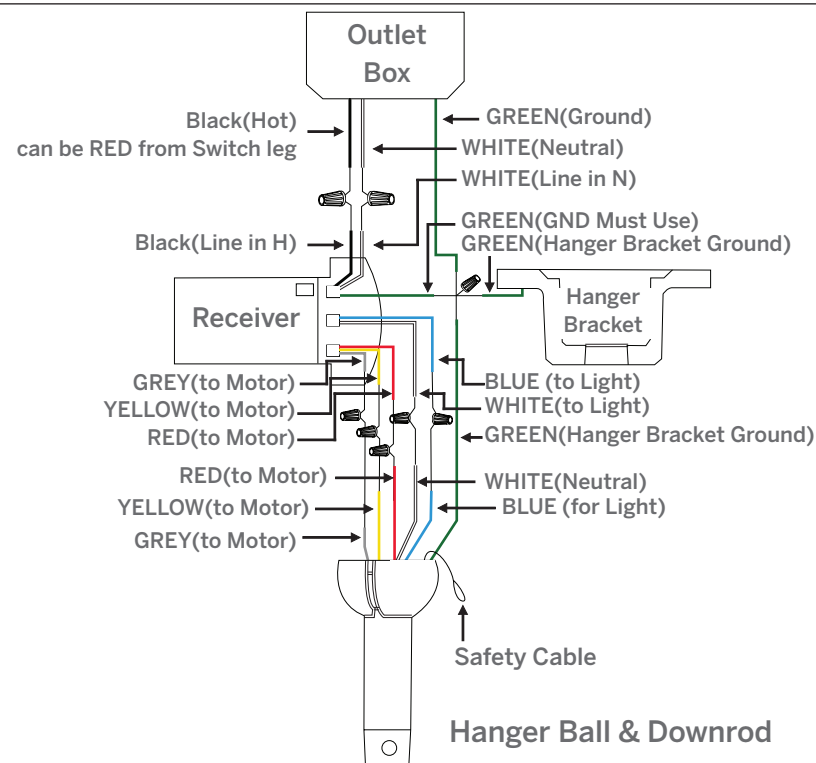
NOTE: Please use wire nuts and electrical tape. Failure to make proper electrical connections may result in damage to the electronics. **Use Part D.**

5



1. Mounting Bracket
2. Receiver

5A



Follow the steps above to connect the fan to your household wiring. Use the plastic wire nuts with your fan. Secure the plastic wire nuts with electrical tape. Make sure there are no loose strands or connections. Use Part D.

6. Finishing the Installation

1. Secure all wire connections with supplied wire ties to assist in canopy installation.
2. Tuck connections neatly into ceiling outlet box.
3. Slide the canopy up to hanger bracket and place the key hole on the canopy over the screw on the hanger bracket. Turn canopy until it locks in place at the narrow section of the key holes. (Fig. 6)
4. Align the circular hole on canopy with the remaining hole on the hanger bracket. Secure by tightening the one screw previously loosened and the one previously removed. Adjust the canopy screws as necessary until the canopy and canopy cover are snug. (Fig. 6)
5. Carefully read and remove the UV Warning sticker from the glass on top of UV module.
6. Adjust the canopy screws as necessary until the canopy and canopy screw ring are snug. (Fig. 6)
7. You are now ready to power on your fan and UV. Please follow the UV Safety Rules before turning on your fan.

NOTE: UV light will not operate independently from fan for safety and efficacy reasons. The violet indicators will illuminate when the UV light is enabled. They cannot be turned off.

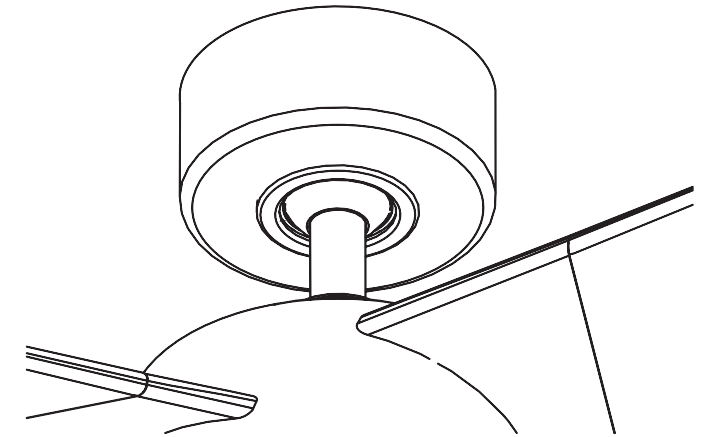
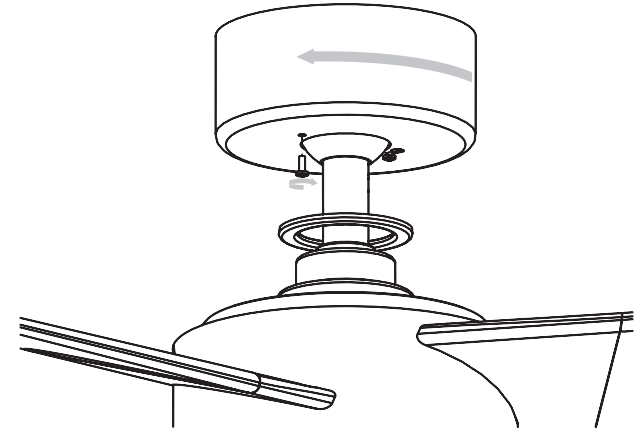
⚠ WARNING: Make sure tab at bottom of hanger bracket is properly seated in groove of hanger ball before attaching canopy to bracket. Failure to properly seat tab in groove could cause damage to electrical wiring.



⚠ WARNING: This product emits ultraviolet (UV) radiation. Exposure to UV radiation can cause serious personal injuries, including damage to eyes and skin. Avoid direct exposure to the UV light. For more safety instructions, please refer to page 5 of this instruction manual (“UV Safety Rules”).

*Reduces the SARS COV-2 viruses and other airborne pathogens

6



7. Controlling the Fan

NOTE: Only remote controls specifically for the Modern Forms germicidal* UV smart fan can be used with this model (F-RCUV-WT).

The remote also cannot be used with other non-UV Modern Forms Fan Your fan was delivered to you with the included control already paired to your fan.

A: UV light On/Off



B: Fan On/Off, Speed Up/Down

C: Season (Summer/Winter)

NOTE: Your fan features 6 speeds. An audible tone will indicate when the speed is increased or decreased. When the fan has reached the minimum/maximum speed level the fan will beep twice.

NOTE: Anytime the UV is on the fan will run. When UV is turned off the fan will return to the state it was in prior to the module being turned on. The UV module comes with 3 ultra-violet indicator lights so you know the UV light is on.

Auto Off Timer Feature

This feature will automatically turn off the UV light after a fixed period of time. Feature is off by default. To enable/disable, Press and hold  and  for 4 seconds. The fan will beep indicating the change.

Default time: 45 minutes. Duration can be changed using the mobile App.

Controlling One or Multiple Fans with Remote

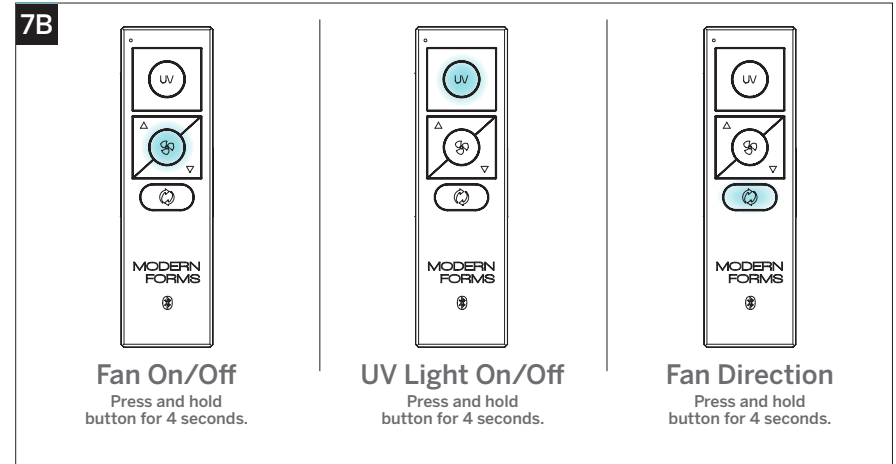
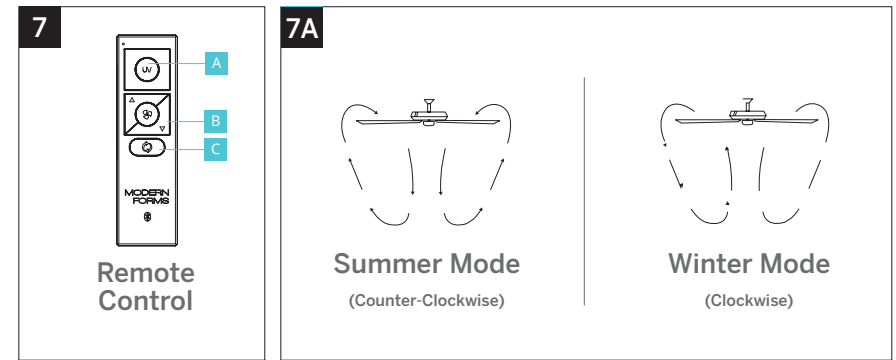
The Bluetooth UV Remote is capable of controlling an unlimited number of fans within line of site.


See (Fig. 7C) for Pairing.


NOTE: Pairing must be completed within three (3) minutes of powering the fan.


Synchronizing Control Across Multiple Fans

If you are controlling multiple fans with one controller, fans/lights may be synced by referring to Fig. 7B and instructions on the next page.



Fan On/Off: Press and hold  button for 4 seconds. The LED on the remote will flash green and all connected fans will beep to indicate the message has been received. All fans will turn off. This will bring all fans controlled by the remote into sync.

UV Light On/Off: Press and hold  button for 4 seconds. The LED on the remote will flash green and all connected fans will beep to indicate the message has been received. All lights will turn off. This will bring all fans controlled by the remote into sync.

Fan Direction: Press and hold  button for 4 seconds. The LED on the remote will flash green and all connected fans will beep to indicate the message has been received. All fans will be set to summer mode (CCW rotation). This will bring all fans controlled by the remote into sync.

8. Reset





If advised by fan support, you can reset your fan to factory settings by referring to (Fig. 8A) or (Fig. 8B).

NOTE: If you change your Wi-Fi settings (SSID or Security Passphrase) you will require a Wi-Fi reset. Refer to Fig. 8 and then use the Modern Forms app to connect your fan to the new network.

9. Breeze Mode

Breeze Mode mimics the natural ebb and flow of winds in nature by varying the fan speed.

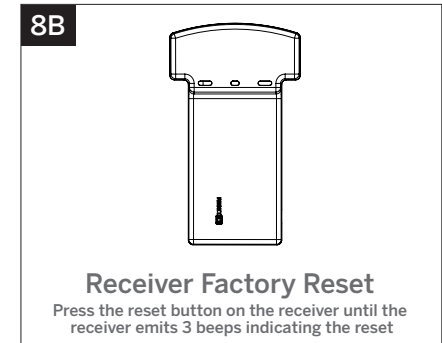
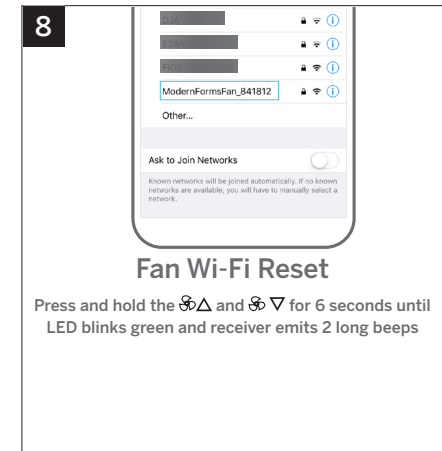
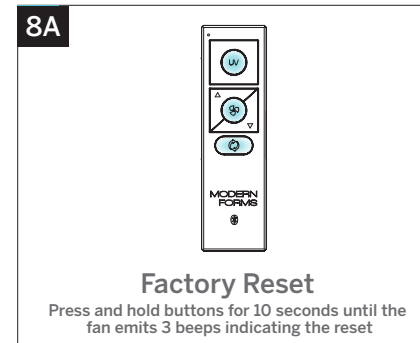
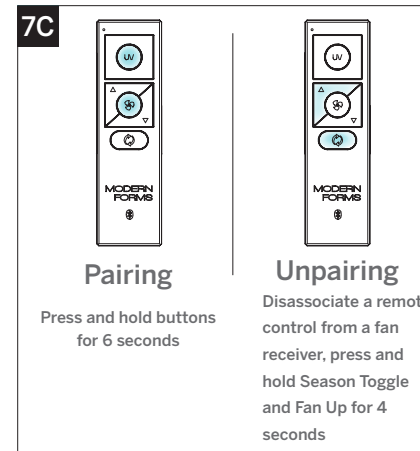
NOTE: Breeze Mode always rotates your fan in the Summer direction.

1. To start Breeze Mode, press  and  for 4 seconds. The LED will blink green and the fan will beep.
2. To exit Breeze Mode and return to standard fan mode, press  and  for 4 seconds. The led will blink green and the fan will beep. Your fan will return to the direction and speed it was set to prior to entering Breeze Mode.

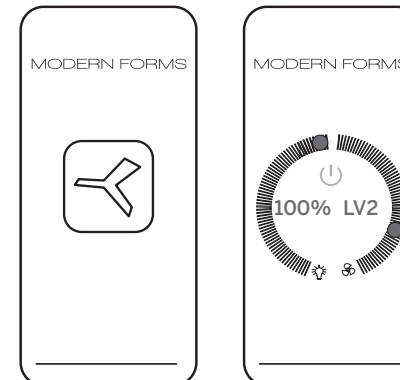
10. Application

In addition to the included remote control, you can control your fan through the Modern Forms app. To use the Modern Forms app, download it for free from the App Store or Google Play.

1. Open the app to create your account. You can also log in using your Facebook or Google account.
2. To set up a Wi-Fi connection you will need the SSID and Wi-Fi password for the network you wish to connect to.
3. You will receive a prompt to name your fan device and upload an optional picture of it if you choose.
4. The Modern Forms app allows you to perform normal fan functions, as well as create schedules, set sleep timers, invite other users, create groups, and use smart features such as Adaptive Learning. Integrate with smart home systems you already own including Amazon Alexa, Google Assistant, Samsung SmartThings, Control 4, and more.



Scan and follow prompts for instruction options and Smart Fan FAQs:



For detailed Instructions and Smart Home Device Integration

11. Accessories

personalize your experience

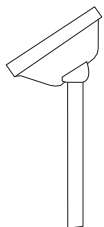


Bluetooth UV Remote Control

ON/OFF

6 fan speeds

F-RCUV-WT White



Sloped Ceiling Kit

Designed to accommodate buildings with steeper sloped ceilings up to 45° or 12/12 pitch

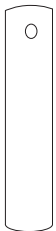
XF-SCK



Coupler

Connects two downrods

XF-I



Downrod

XF-12 - 12" Downrod | XF-18 - 18" Downrod

XF-24 - 24" Downrod | XF-36 - 36" Downrod

XF-48 - 48" Downrod | XF-60 - 60" Downrod

XF-72 - 72" Downrod

12. Troubleshooting

My Fan Will Not Start

1. Check main and branch circuit fuses or circuit breakers.
2. Check line wire connections to fan and switch wire connections in the switch housings.

⚠ CAUTION: Make sure the main power is turned off!

12. Troubleshooting cont.

My Fan is Noisy

1. Allow for 24-hour break-in period. Most noises associated with a new fan will go away during this time period.
2. Check to make sure the screws which attached to the blades (and blade arms when applicable) are tight.
3. Check to make sure all screws in motor housing are snug.
4. Tighten the hanger bracket screws and make sure the outlet box is secured.
5. Your wire connectors may be rattling against the fan's canopy.
6. Make sure you have a cUL/UL approved outlet box and it is installed correctly.

My Fan is Wobbling

1. Tighten the set screws in the downrod.
2. Make sure your hanger ball assembly is locked into place in the hanger bracket.
3. Tighten the hanger bracket screws to the outlet box.
4. Make sure the fan blades are properly aligned and securely fastened to the motor housing assembly/blade arms.
5. Make sure the gaps between the blades are evenly distributed or make sure you are using an approved cUL/UL listed outlet box and it is installed correctly.

My Fan is not producing Enough Air Movement



If possible, please consider using a longer than included downrod.

12. Troubleshooting cont.





My remote is not controlling my fan

Verify that the fan is receiving power by power cycling the fan.

To do this:

1. Cut power to the fan via standard On/Off wall switch, or the breaker if standard wall switch is not applicable.
2. Wait at least 10 seconds, and then restore power.
3. The fan will power on in Pairing mode for 3 minutes.
4. Press and hold the  and  for six seconds until the LED indicator flashes green and the fan sounds two audible beeps. The pairing process is complete.

I don't see my fan's WiFi (ModernFormFan_XXXXXX) in my phone's list of available WiFi networks.

1. If your fan had been previously paired the Wi-Fi radio will be off.
2. To reset the Wi-Fi press and hold the   and   buttons on the remote control for 6 seconds until the indicator LED flashes and the fan sounds two beeps indicating the command was successful. The fan will start to broadcast its SSID.
3. The fan will beep and you will see its Wi-Fi network available for connection.

My home Wi-Fi network is not showing up in the app's list during setup.

1. Your fan supports connection with 2.4GHz 802.11b/g/n networks. Confirm your network is compatible by checking your router settings or contact your router manufacturer.
2. Make sure your network's SSID is not hidden.
3. Your fan does not support 5 GHz network connectivity.

12. Troubleshooting cont.

My Fan failed to join the Wi-Fi network

1. Make sure you entered the correct Wi-Fi password and your mobile device is connected to the same network you attempted to connect the fan.
2. Make sure you are within the router manufacturer's specified range. If all of these steps have failed - please power cycle your fan and router and retry.

What is power cycling and how do I power cycle my fan?

Power cycling is the act of temporarily removing the power source for your fan. If the fan is powered through a wall switch, turn the switch off for 10 seconds and back on. Alternately, you can use the circuit breaker the fan is connected to by toggling it off for 10 seconds and back on.

What is Adaptive Learning?

Adaptive learning is an exclusive feature that allows your fan to learn your daily/weekly habits and automatically recommend scheduled activity through the Modern Forms app. This feature can be toggled on or off.

What is Breeze Mode?

Breeze Mode mimics the natural ebb and flow of winds in nature by fluctuating your fan's speed.

Why can I not operate my UV module independently from my fan?

We have designed the UV to only be operable when the fan is on for safety reasons.

12. Troubleshooting cont.

Why is my UV light flashing when I first turn it on?

The fan is equipped with a timer that automatically tracks how much time the UV module has been used. When there are approximately 80 hours remaining in the module's life, the light will flash when turned on indicating that you should replace the module to ensure efficacy. See replacement module instructions for more information. To preserve the lifespan of the UV module - do not leave the fan and UV running for extended periods of time. The UV module has an approximate 6,500 hour lifespan.

What is Pairing?

Pairing is the process of connecting your Modern Forms remote to your fan. Your fan comes pre-paired to your included remote control. However, if you want additional controls for your fan or if you're replacing a control, refer to the pairing and unpairing section of the instructions.

What is a Factory Reset?

Factory Reset is a restore of the fans original settings. This can be achieved from the control or by pressing and holding the small button on the receiver until you hear three audible beeps or by holding down the fan toggle, light toggle, and season toggle buttons on your paired remote for 10 seconds.

NOTE: You will need to re-pair your remote to the fan following a factory reset. A factory reset will also disconnect the fan from your home Wi-Fi network and will require you to add the fan using the Modern Forms Smart Fans app.

Please refer to the FAQ section of our app for further guidance. For all other questions, please contact our dedicated Fan Support specialists. Contact information can be found at the front of the instructions.

Certificate of Warranty

Congratulations on your new purchase.

Your new Modern Forms Smart Fan is engineered to make life easier every day. Modern Forms creates future-forward fans and luminaires that provide energy savings and outstanding efficiency. Our dedication to doing things the right way goes beyond our love for amazing products. Modern Forms Smart Fans™ warrants any of its outdoor rated ceiling fan products that they are to be free from defects in material and workmanship for a period of one (1) year from the date of purchase; outdoor painted finishes are warranted for two (2) years; electronic components are warranted for five (5) years; DC motors and stainless steel finishes are warranted for lifetime under normal use to the first non-dealer purchaser. UV modules should be operational for approximately one year, but we do not offer any express warranties on their longevity.

Although Modern Forms uses the best available materials and does extensive testing for finish endurance, some fading or chalking may occur and is considered normal. For coastal locations, some corrosion and/or deterioration is considered "normal wear" in this environment. Therefore, any finish claim due to coastal environment conditions is not applicable to our warranty. If a product is defective, all efforts will be made to correct the problem in the field. If the problem cannot be resolved, an RGA number will be issued. Modern Forms obligation is expressly limited to repair or replacement, without charge, at the Modern Forms factory after prior written return authorization has been granted. Modern Forms obligation under this warranty shall not extend beyond the distributor's initial purchase price of the product and accordingly any consequential damages or labor costs arising out of a defect are expressly excluded. This warranty shall not apply to products that have been altered, improperly installed, mishandled or misused. Notice of a defect in writing must be received by Modern Forms within five (5) years from the date of purchase (or according period of time as outlined by material). Excluded from warranty are any 3rd party component which carries its own manufacturer's warranty. Note: Modern Forms product warranty applies only to purchases from authorized Modern Forms distributors. THERE ARE NO WARRANTIES WHICH EXTEND BEYOND THE DESCRIPTION ON THE FACE HEREOF INCLUDING WARRANTIES OF MERCHANTABILITY AND FITNESS FOR A PARTICULAR PURPOSE. The Bluetooth ® word mark and logos are registered trademarks owned by Bluetooth SIG, Inc. and any use of such marks by Wangs Alliance Corporation is under license. Other trademarks and trade names are those of their respective owners.

Felicidades por tu nueva compra.

Su nuevo ventilador inteligente Modern Forms está diseñado para hacer la vida más fácil todos los días. Modern Forms crea ventiladores y luminarias de futuro que proporcionan ahorros de energía y una eficiencia excepcional. Nuestra dedicación a hacer las cosas de la manera correcta va más allá de nuestro amor por los productos increíbles. Modern Forms Smart Fans™ garantiza que cualquiera de sus productos de ventiladores de techo clasificados para exteriores no presentarán defectos de materiales ni de mano de obra durante un período de un (1) año a partir de la fecha de compra; los acabados pintados para exteriores están garantizados por dos (2) años; los componentes electrónicos tienen una garantía de cinco (5) años; Los motores de CC y los acabados de acero inoxidable están garantizados de por vida en condiciones de uso normal para el primer comprador que no sea distribuidor. Los módulos UV deben estar operativos durante aproximadamente un año, pero no ofrecemos ninguna garantía expresa sobre su longevidad.

Aunque Modern Forms utiliza los mejores materiales disponibles y realiza pruebas exhaustivas para determinar la resistencia del acabado, puede ocurrir algo de decoloración o tiza y se considera normal. Para ubicaciones costeras, algo de corrosión y / o deterioro se considera "desgaste normal" en este entorno. Por lo tanto, cualquier reclamo de acabado debido a las condiciones ambientales costeras no es aplicable a nuestra garantía. Si un producto es defectuoso, se harán todos los esfuerzos posibles para corregir el problema en el campo. Si el problema no se puede resolver, se emitirá un número RGA. La obligación de Modern Forms se limita expresamente a la reparación o

reemplazo, sin cargo, en la fábrica de Modern Forms después de que se haya otorgado la autorización de devolución previa por escrito. La obligación de Modern Forms en virtud de esta garantía no se extenderá más allá del precio de compra inicial del producto por parte del distribuidor y, en consecuencia, se excluyen expresamente cualquier daño o costo de mano de obra resultante de un defecto. Esta garantía no se aplicará a los productos que hayan sido alterados, instalados incorrectamente, manipulados o utilizados incorrectamente. Modern Forms debe recibir un aviso por escrito de un defecto dentro de los cinco (5) años a partir de la fecha de compra (o según el período de tiempo que se describe en el material). Quedan excluidos de la garantía los componentes de terceros que cuenten con la garantía de su propio fabricante. Nota: La garantía del producto Modern Forms se aplica solo a las compras de distribuidores autorizados de Modern Forms. NO EXISTEN GARANTÍAS QUE SE EXTIENDAN MÁS ALLÁ DE LA DESCRIPCIÓN QUE SE ENCUENTRA AQUÍ, INCLUYENDO GARANTÍAS DE COMERCIABILIDAD Y APTITUD PARA UN PROPÓSITO PARTICULAR. La marca denominativa y los logotipos de Bluetooth® son marcas comerciales registradas propiedad de Bluetooth SIG, Inc. y cualquier uso de dichas marcas por parte de Wangs Alliance Corporation se realiza bajo licencia. Otras marcas y nombres comerciales pertenecen a sus respectivos propietarios.

Félicitations pour votre nouvel achat.

Votre nouveau ventilateur intelligent Modern Forms est conçu pour vous simplifier la vie au quotidien. Modern Forms crée des ventilateurs et des luminaires d'avenir qui offrent des économies d'énergie et une efficacité exceptionnelle. Notre engagement à faire les choses de la bonne manière va au-delà de notre amour pour les produits incroyables. Modern Forms Smart Fans™ garantit à tous ses ventilateurs de plafond extérieurs évalués qu'ils sont exempts de défauts de matériaux et de fabrication pendant une période d'un (1) an à compter de la date d'achat; les finis extérieurs peints sont garantis pendant deux (2) ans; les composants électroniques sont garantis pendant cinq (5) ans; Les moteurs à courant continu et les finitions en acier inoxydable sont garantis à vie dans des conditions normales d'utilisation au premier acheteur non revendeur. Les modules UV doivent être opérationnels pendant environ un an, mais nous n'offrons aucune garantie expresse sur leur longévité.

Bien que Modern Forms utilise les meilleurs matériaux disponibles et effectue des tests approfondis pour l'endurance de la finition, une certaine décoloration ou un farinage peut se produire et est considéré comme normal. Pour les zones côtières, une certaine corrosion et / ou détérioration est considérée comme une «usure normale» dans cet environnement. Par conséquent, toute réclamation de finition due aux conditions de l'environnement côtier n'est pas applicable à notre garantie. Si un produit est défectueux, tous les efforts seront faits pour corriger le problème sur le terrain. Si le problème ne peut pas être résolu, un numéro RGA sera émis. L'obligation de Modern Forms est expressément limitée à la réparation ou au remplacement, sans frais, dans l'usine de Modern Forms après autorisation écrite préalable de retour. L'obligation de Modern Forms en vertu de cette garantie ne s'étend pas au-delà du prix d'achat initial du produit par le distributeur et, par conséquent, les dommages indirects ou les frais de main-d'œuvre découlant d'un défaut sont expressément exclus. Cette garantie ne s'applique pas aux produits qui ont été modifiés, mal installés, mal manipulés ou mal utilisés. Un avis de défaut par écrit doit être reçu par Modern Forms dans les cinq (5) ans à compter de la date d'achat (ou selon la période de temps indiquée par le matériel). Sont exclus de la garantie tout composant tiers qui porte sa propre garantie du fabricant. Remarque: la garantie du produit Modern Forms s'applique uniquement aux achats auprès des distributeurs Modern Forms autorisés. IL N'Y A AUCUNE GARANTIE QUI S'ÉTEND AU-DELÀ DE LA DESCRIPTION SUR LE VISAGE DES PRÉSENTES, Y COMPRIS LES GARANTIES DE QUALITÉ MARCHANDE ET D'ADÉQUATION À UN USAGE PARTICULIER. La marque et les logos Bluetooth® sont des marques déposées appartenant à Bluetooth SIG, Inc. et toute utilisation de ces marques par Wangs Alliance Corporation est sous licence. Les autres marques et noms commerciaux appartiennent à leurs propriétaires respectifs.

