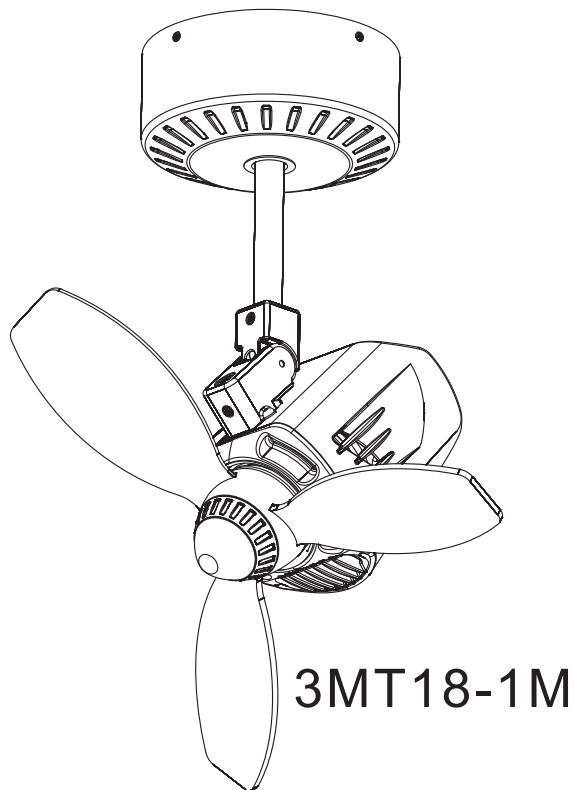


# Owner's Manual

**TroposAir**

Mustang



This instruction contains 7 pages:

- Page 1: Foreword
- Page 2: Unpack and inspect parts contained
- Page 3: Notes before installation
- Page 4: Hanging system installation
- Page 5: Wire connection
- Page 6: Hanging base and Canopy installation
- Page 7: Set up motor position, Blade installation and Remote



Net weight

4.5 KGS.

9.9 LBS.

Toll Free: 1-855-676-7247

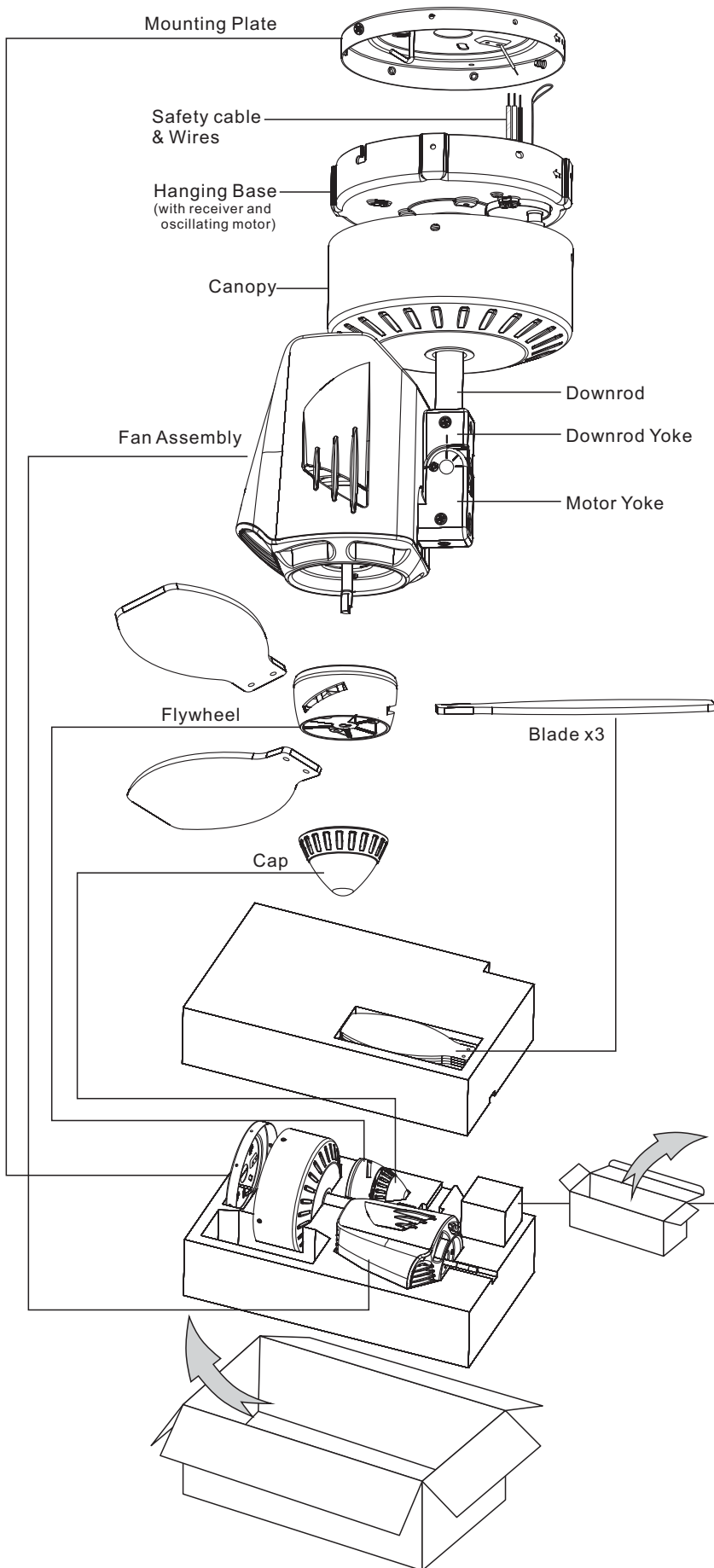
**WARNING** : Read and follow these instructions carefully and be mindful of all warnings shown throughout.

## READ AND SAVE THESE INSTRUCTIONS

### WARNING : TO REDUCE THE RISK OF FIRE, ELECTRICAL SHOCK, OR INJURY TO PERSONS, PLEASE OBSERVE THE FOLLOWING :







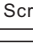
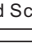
- 1]. To ensure the success of the installation, be sure to read the instructions and review the diagrams thoroughly before beginning.
- 2]. To avoid possible electric shock, be sure electricity is TURNED OFF at the main power box before wiring. All electrical connections must be made in accordance with local codes, ordinances and/or the National Electric Code. If you are unfamiliar with the methods of installing electrical wiring and products, secure the services of a qualified and licensed electrician as well as someone who can check the strength of the supportive ceiling members and make the proper installations and connections.
- 3]. Make sure that your installation site will not allow rotating fan blades to come in contact with any object. Fan must be installed at least 7 feet from floor to prevent injury when fan is in operation.
- 4]. If possible, mount ceiling fan on a ceiling joist - the joist must be able to support the motion and weight of the moving fan. If the fan will be mounted on a ceiling outlet box, a 4" x 2-1/8" deep METAL octagon box is required ; one UL listed as " suitable for fan support ". The box and its supporting members must not be able to twist or work loose. DO NOT USE PLASTIC BOXES. Installation on a concrete ceiling should be performed by qualified personnel.
- 5]. Blades should be attached after motor housing is hung and in place. Fan motor housing should be kept in carton until ready to be installed to protect its finish. If you are installing more than one ceiling fan, make sure that you do not mix fan blade sets.
- 6]. After making electrical connections, spliced conductors should be turned upward. The wires should be spread apart with the grounded conductor and the equipment-grounding conductor on one side and the "HOT" wires on the other side.
- 7]. After fan is completely installed, check to make sure that all connections are secure to prevent fan from falling and/or causing damage or injury.
- 8]. **This fan is not suitable for slope ceiling.**
- 9]. **This fan is not reversible.**
- 10]. **This fan is not light kit adaptable.**
- 11]. **This fan is suitable for damp location use.**

# Unpack and inspect fan carefully to be certain all contents are included.





## Hardware Bag






### For Mounting Plate:

- Flat Washer x3  
- Spring Washer x3  
- Machine Screw x2  
- Wood Screw x3  

### For Hanging Base :

- Set Screw x 2  














### For Canopy:

- Set Screw x 5 (one spare screw included)     

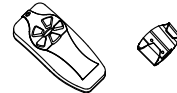
### For Wire Connection:

- Wire Nut x 3   

### For Blade Installation:

- Blade Screw x 7 (one spare screw included)      
- Paper Washer x 7 (one spare washer included)       

## Remote \*Battery Included



### Hardware Bag

- Wood Screw x2  

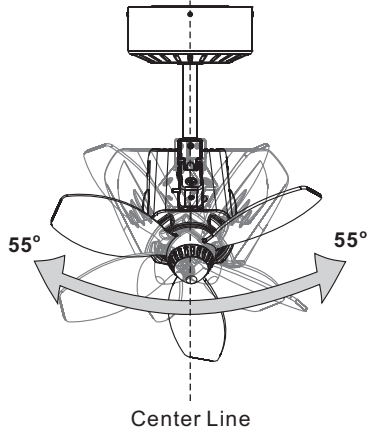
# NOTES BEFORE INSTALLATION

## Note 1:

This is an oscillating ceiling fan with features of 110 degree oscillation controlled by remote and 3 vertical positions (0/45/90 degree) manual tilt.

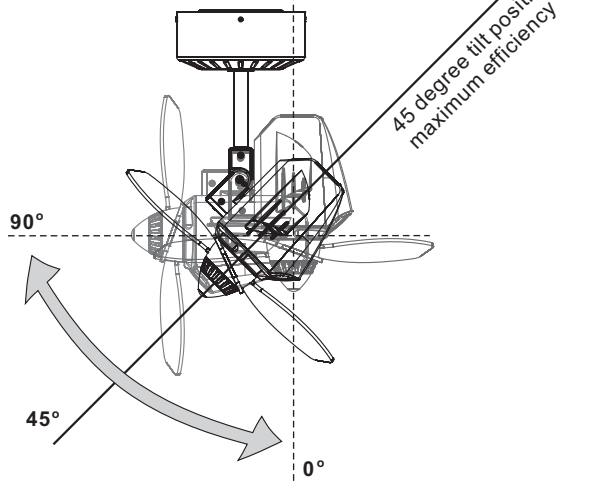
### 110 degree oscillation

(from center line: 55 degree left / 55 degree right)



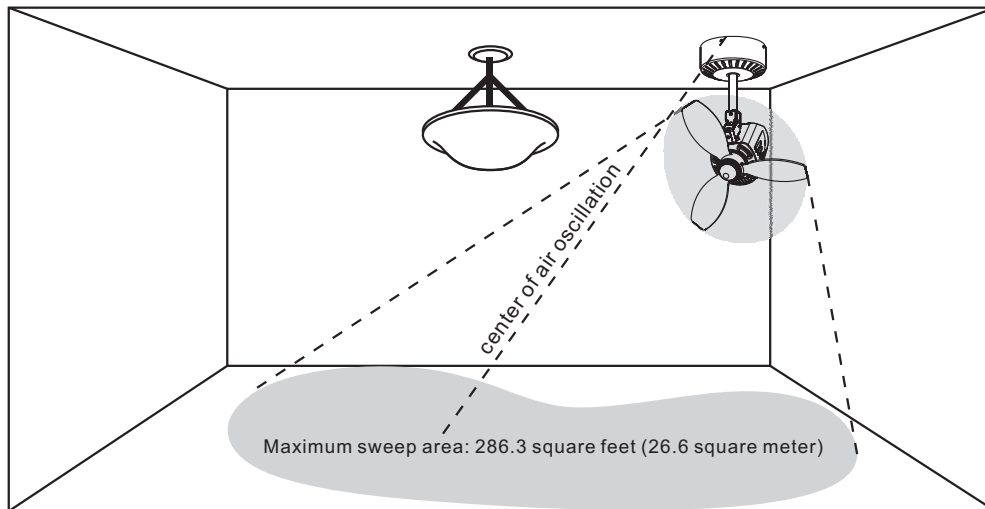
### 3 adjustable motor positions

(0/45/90 degree)



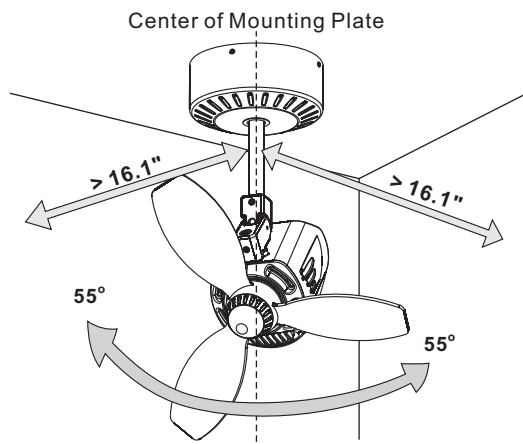
## Note 2:

To gain maximum sweep space, it is recommended to locate this fan close to a wall or corner. This will save ceiling space and not influence existing lights.



## WARNING:

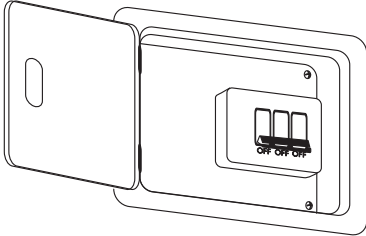
To avoid fan blades hitting walls during oscillation, a minimum distance of 16.1 inches (410mm) is required from downrod (center of mounting plate) to both sides of the wall at corner.



**WARNING: Fan should be at least 7 feet from the floor**

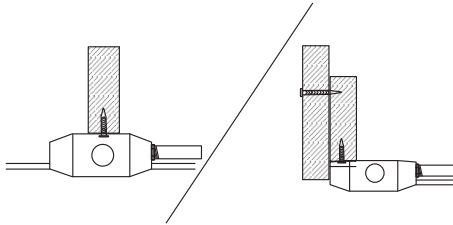
**Note 1:**

Turn off power at breaker box to avoid possible electrical shock.



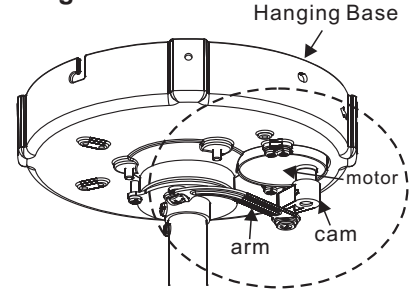
**Note 2:**

Use metal outlet box suitable for fan support. Outlet box must support 35 lbs min.



**Note 3:**

**CAUTION:** Oscillating device located at hanging base is fragile, do not damage or bend oscillating parts (cam/arm/motor) during installation



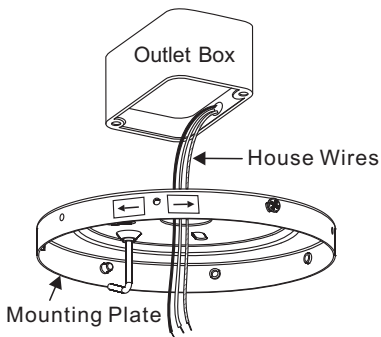
**1. HANGING SYSTEM INSTALLATION**

**Installing mounting plate to ceiling outlet box**

**IMPORTANT: Align Mounting Plate to desired oscillator direction now.**

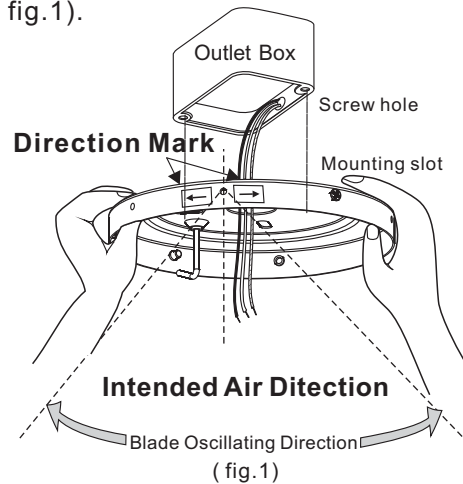
**1A.**

Pull house wires from outlet box through the center hole of mounting plate



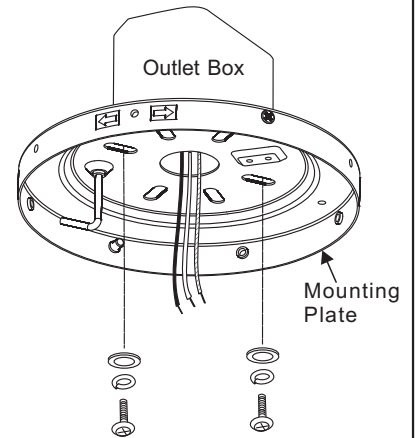
**1B.**

The screw hole between **direction marks** is for finding out **intended air direction**. Adjust mounting plate by aligning 2 slots of mounting plate with screw holes on outlet box (see fig.1).



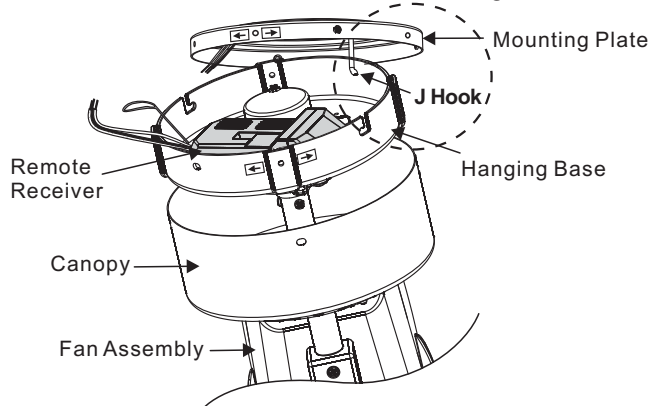
**1C.**

Attach mounting plate to outlet box by securing with screws included with the outlet box and washers from the hardware bag through 2 out of 6 slots on mounting plate.



**1D. Hanging the fan**

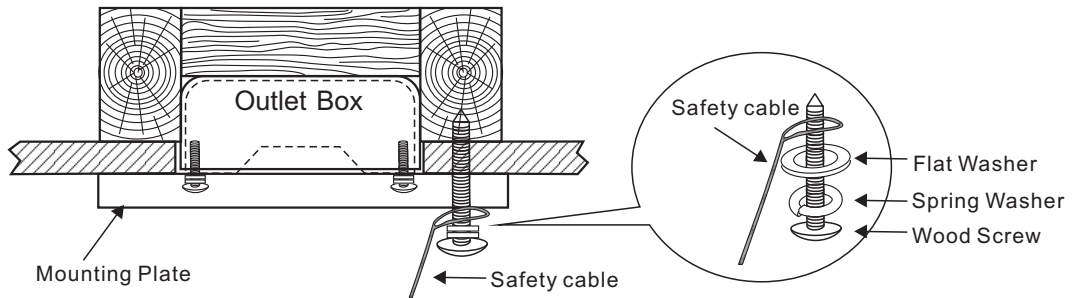
Lift the fan assembly and hang onto the **J hook** through oval-shaped hole on mounting plate. This will permit you to make the electrical connections without having to hold the fan up as well.



## 2. WIRE CONNECTION

### 2A. Attaching safety cable to ceiling joist

Use wood screw, spring washer, and flat washer from hardware bag. Pass wood screw through closed loop of safety cable. Secure wood screw to ceiling joist through any available slot on mounting plate. Make sure safety cable has been tightened securely. **CAUTION: THE WOOD SCREW AND ITS SUPPORT MUST BE ABLE TO FULLY SUPPORT THE WEIGHT OF AT LEAST 100 LBS.**



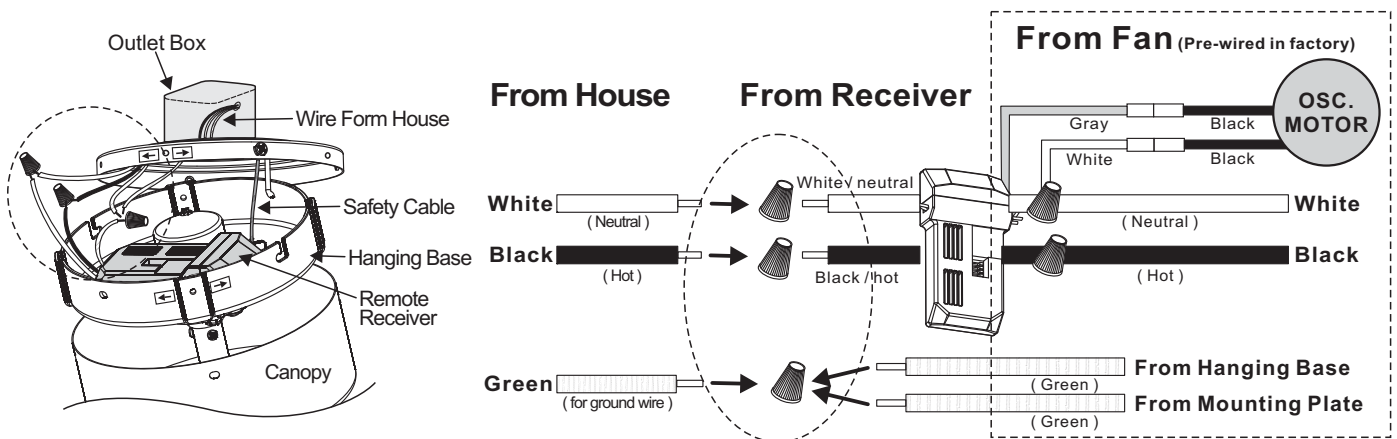
### 2B. Making electrical wire connection

Follow diagram below and make sure that all exposed wires are secured inside wire nuts.

Note: Wires from house may vary in color and may not include ground wire (green).

After wiring is completed, collect wires neatly inside hanging base.

- \*White wire from house to white wire from receiver
- \*Black wire from house to black wire from receiver
- \*Ground wire from house to green wire from hanging base and from mounting plate
- \*Secure with twist - lock wire nuts. (Included)



### 2C. Setting code switches for transmitter and receiver

Remote controls are tuned to operate together using 4 switches for 16 possible code combinations.

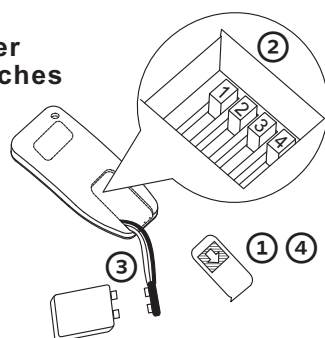
#### 1. Setting the code on the TRANSMITTER

- ① Remove battery cover.
- ② Slide code switches to your choice of ON or OFF position. Use a small screwdriver or ball point pen to slide each switch firmly up or down.
- ③ Install 9V DC battery. (Included)
- ④ Install battery cover on transmitter.

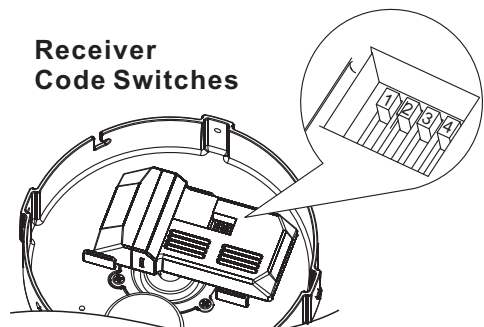
#### 2. Setting the code on the RECEIVER

Slide code switches on the Receiver to be the SAME POSITIONS as set on your Transmitter.

Transmitter Code Switches



Receiver Code Switches



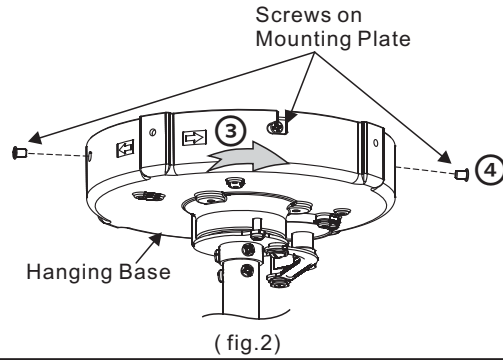
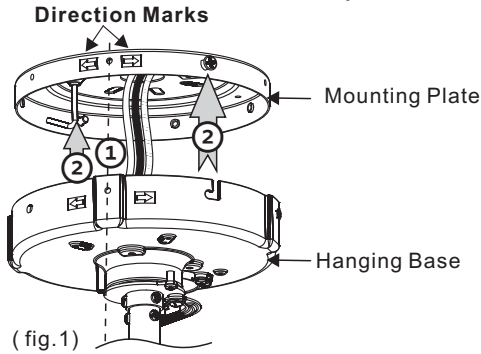
### 3. HANGING BASE AND CANOPY INSTALLATION

#### 3A.

Carefully lift the fan assembly away from the hook on mounting plate.

- ① **Align direction marks** on mounting plate with **direction marks** on hanging base. (see fig.1)
- ② Push up hanging base until 2 set screws pre-installed on mounting plate are engaged with L type slots on hanging base. (see fig.1)
- ③ Slightly rotate hanging base until two screw heads are in L type slots. (see fig.2)
- ④ Attach other 2 set screws from hardware bag to secure hanging base and mounting plate (these will be the remaining 2 out of 4 set screws for securing hanging base to mounting plate). (see fig.2)

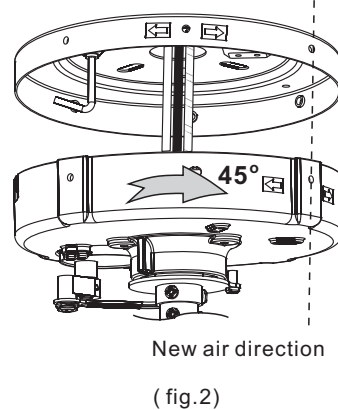
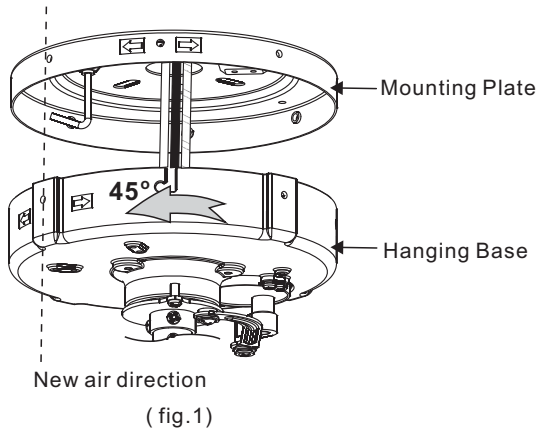
**Note:** Make sure all 4 set screws are firmly secured.



#### NOTE:

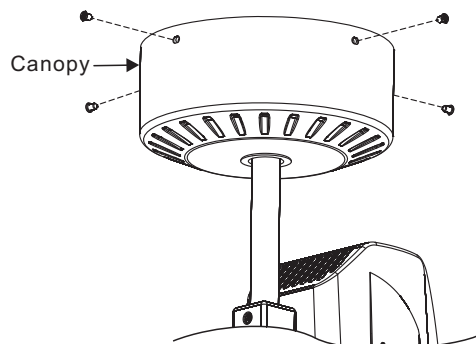
After above steps, please check if air direction is the same as intended direction. If not, please take below steps for minor adjustment:

1. Remove all 4 set screws from hanging base.
2. Use direction marks on hanging base as center. Rotate hanging base (45 degree to the left or 45 degree to the right) for minor adjustment. (see fig.1 & fig.2)
3. Attach 2 set screws to two diagonal holes on mounting plate where 2 L type slots on hanging base are to engage. After minor adjustment, direction marks on mounting plate and hanging base may not be aligned.



#### 3B.

Push up canopy and secure to hanging base with 4 set screws from hardware bag.



## 4. SET UP MOTOR POSITION

### NOTE:

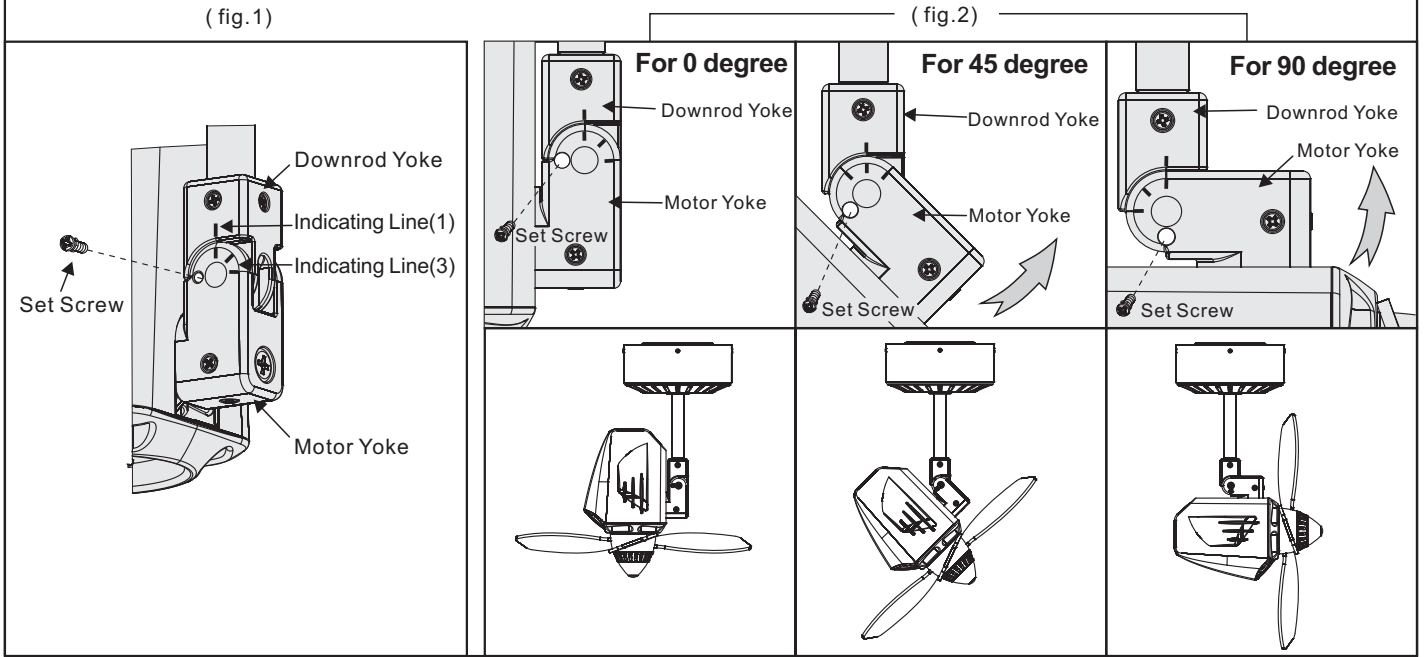
Fan motor is at 0 degree when taken out from the carton, no need to change motor angle if intend to use the fan at 0 degree.

There is one indicating line on downrod yoke and three on motor yoke for aligning 0/45/90 degree motor position (see fig. 1)

**4A.** Remove set screw and spring washer from motor yoke. (see fig. 2)

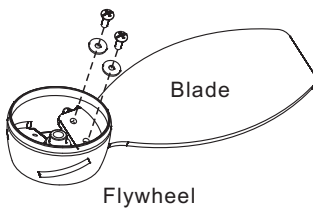
**4B.** Adjust motor angle by aligning one out of three indicating lines (0/45/90) on motor yoke with indicating line on downrod yoke. (see fig. 2)

**4C.** Secure set screw and spring washer removed from step 4A back to motor yoke. Make sure set screw is firmly tightened. (see fig. 2)

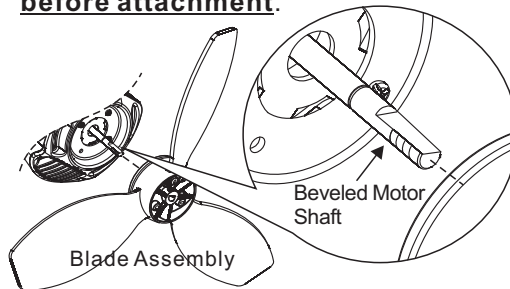


## 5. BLADE INSTALLATION

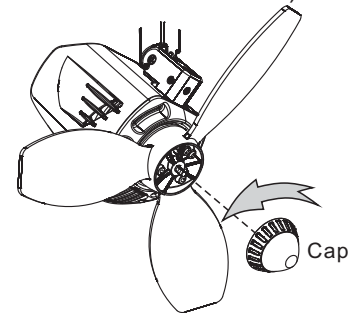
**5A.** Attach blade to blade holder with screws & washers provided in hardware bag. Make sure that all screws are firmly tightened.



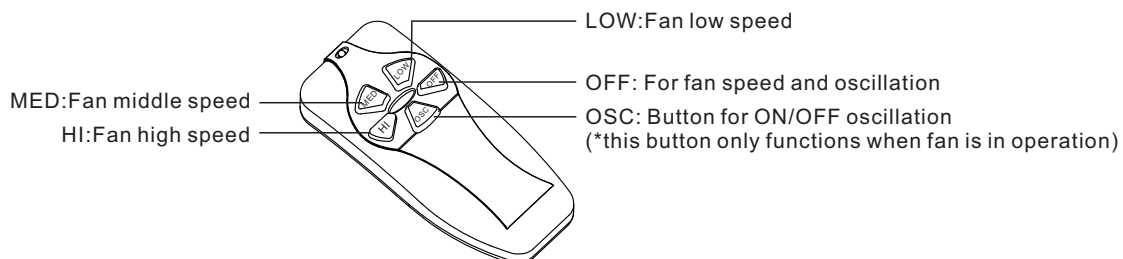
**5B.** Attach blade assembly to flywheel, aligning beveled center hole on flywheel with beveled motor shaft before attachment.



**5C.** Thread the cap counter-clockwise to motor shaft until fully tightened. (\*This is reverse threaded.)



## 6. REMOTE



**7. Turn on the power - your fan is ready for operation.**