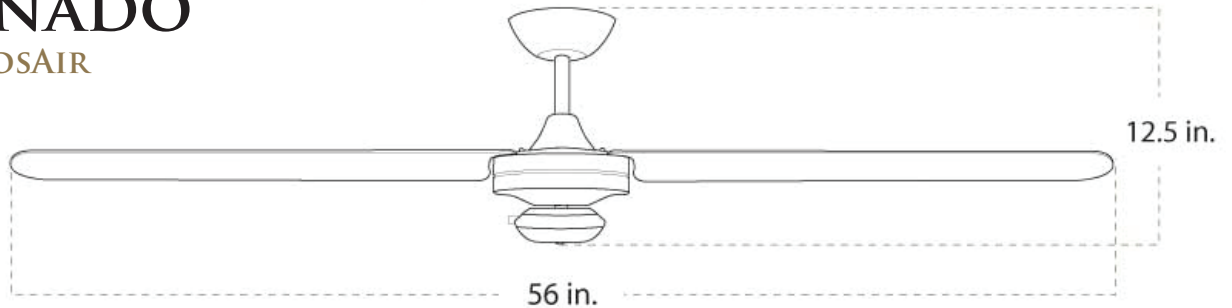


THE CEILING FAN
SHOPPE[®]

EST. 2005

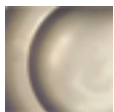
TORNADO
 BY TROPOSAIR



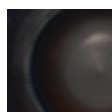
FEATURES

- 5-OUTDOOR AND 25-YEAR INDOOR LIMITED MOTOR WARRANTY
- DAMP RATED: CAN BE USED INDOORS OR OUTDOORS
- ENERGY STAR LISTED
- LIGHT KIT ADAPTABLE
- HIGH PERFORMANCE SILICON STEEL MOTOR WITH TRIPLE CAPACITORS
- UNIVERSAL HANGING SYSTEM FOR BOTH SLOPED AND FLAT CEILINGS
- 3-SPEED PULL CHAIN AND SLIDE SWITCH FOR REVERSE
- FAN MUST BE MOUNTED AT LEAST 10' ABOVE FLOOR LEVEL DUE TO METAL BLADES
- COMMERCIAL OR RESIDENTIAL USE

AVAILABLE MOTOR FINISHES



SATIN STEEL



OIL RUBBED BRONZE



PURE WHITE

**ENERGY INFORMATION
 AT HIGH SPEED**

AIRFLOW	ELECTRICITY USE	AIRFLOW EFFICIENCY
9154	80	115
CUBIC FEET PER MINUTE	WATTS (EXCLUDES LIGHTS)	CUBIC FEET PER MINUTE PER WATT

*DISCLAIMER: CEILING FAN MOTOR HAS BEEN TESTED WITH THE CORRESPONDENT SIZE BLADES.