

RAINDANCE

BY GULF COAST FANS

MOTOR FINISHES

Antique Bronze
 Antique White
 Brushed Nickel
 Matte Black
 Oil Rubbed Bronze
 Pure White
 Roman Stone
 Wine

INSTALLATION ACCESORIES

3 inch Downrod (included)

Additional downrods available:

12 inch, 18 inch, 24 inch, 36 inch,
 and 72 inch
 Coupler
 Flush Mount Kit (reduces distance
 from ceiling to bottom of fan by 2
 inch)**

LIGHTING OPTIONS

Optional light kits are available.
 See catalog for details.

LOCATION USE

Suitable to indoor and outdoor use. This model is design for wet locations, however the top of the canopy should not be open to the elements. Be sure the top of the canopy is covered by the outdoor outlet box or some by method of weather-proofing. U.L. listed for Wet locations.

INSTALLATION REQUIREMENTS

Fan must be attached to a securely mounted outlet box that is listed for fan support. You may also mount fan directly to a ceiling joist. Use the mounting screws provided with the outlet box. Do not use a plastic electrical box.

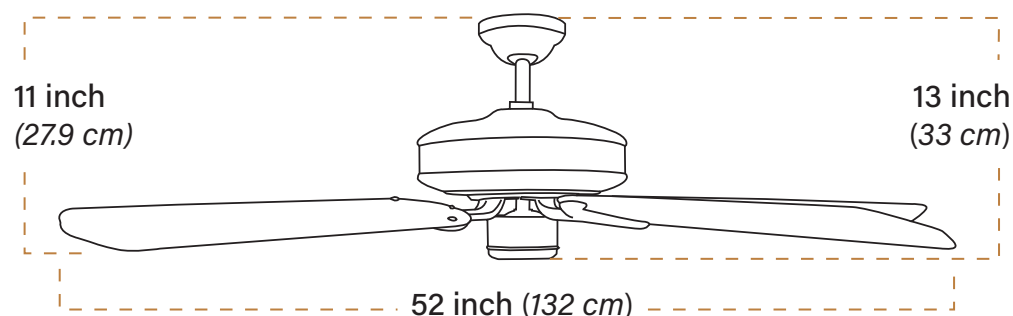
* Overall dimensions may change according to blade style and set size. Diagram shown for standard style blades and 52 inch sweep (diameter)

**Flush Mount Kit reduces the distance from ceiling to bottom of fan by 2 inch, it replaces the use of a downrod.

OPTIONAL BLADE SIZES

Overall ceiling fan diameter
 44 inch: Standard, Non Warp Outdoor
 52 inch: Standard, Non Warp Outdoor, Arbor 125 275 425, Nautical, Venetian
 58 inch: Arbor 100
 60 inch: Standard, Arbor 450 800

OVERALL DIMENSIONS *



Blade Sweep: 52 inch (132 cm) diameter
 Mount: 3 inch (7.6 cm) downrod included with fan**

ELECTRICAL REQUIREMENTS

Requires a grounded electrical supply line of 120 volts AC, 60 Hz.

MOTOR SPECS

Number of Blades: 5
 Degrees of Blade Pitch: 14
 Motor Size: 188 x 20 mm
 Motor Type: Triple capacitor AC motor

ENERGY INFORMATION at High Speed

Airflow	Electricity Use	Airflow Efficiency
8165	100	81
cubic feet per minute	watts (excludes lights)	cubic feet per minute per watt