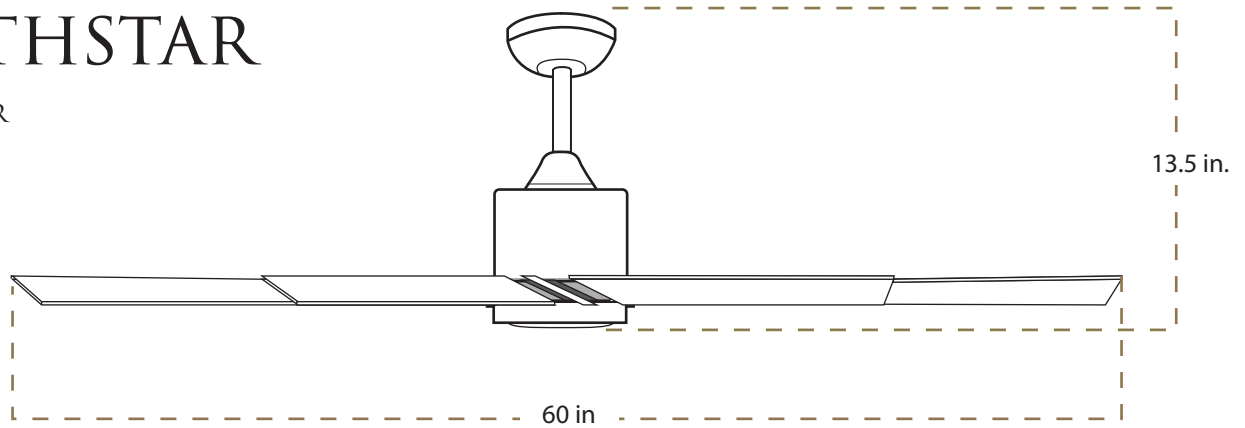


THE CEILING FAN  
**SHOPPE**<sup>®</sup>

EST. 2005

# NORTHSTAR

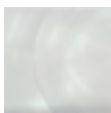
BY TROPOSAIR



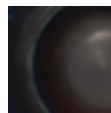
## FEATURES

- UNIQUE CONTEMPORARY 8-BLADE DESIGN THAT IS SUITABLE FOR ANY TYPE OF DECOR.
- FOR USE IN RESIDENTIAL AND COMMERCIAL SETTINGS.
- AVAILABLE IN OIL RUBBED BRONZE OR BRUSHED NICKEL.
- FOR USE INDOORS
- INDOOR LIMITED LIFETIME WARRANTY
- ENERGY EFFICIENT
- SUPER HIGH EFFICIENCY DIRECT CURRENT-MOTOR WITH REMOTE
- INTEGRATED LED 15-WATT ARRAY LIGHT
- INCLUDES COVER FOR LIGHT FIXTURE IF LIGHT IS NOT DESIRED
- 8-BLADES DESIGN
- PERMANENTLY LUBRICATED AND SEALED BEARINGS
- UNIVERSAL DOWN-ROD MOUNTING SYSTEM FOR FLAT & SLOPPED CEILINGS
- HAND HELD REMOTE CONTROL THAT INCLUDES 6-SPEEDS, REVERSE AND LIGHT FUNCTION INCLUDED
- COMMERCIAL OR RESIDENTIAL USE

## FINISHES



BRUSHED NICKEL



OIL RUBBED BRONZE

## ENERGY INFORMATION AT HIGH SPEED

AIRFLOW	ELECTRICITY USE	AIRFLOW EFFICIENCY
6789	30	226.3
CUBIC FEET PER MINUTE	WATTS (EXCLUDES LIGHTS)	CUBIC FEET PER MINUTE PER WATT

\*DISCLAIMER: CEILING FAN MOTOR HAS BEEN TESTED WITH THE CORRESPONDENT SIZE BLADES.