

MUSTANG

FINISHES

brushed aluminum
rubbed bronze
pure white

ENERGY INFORMATION at High Speed

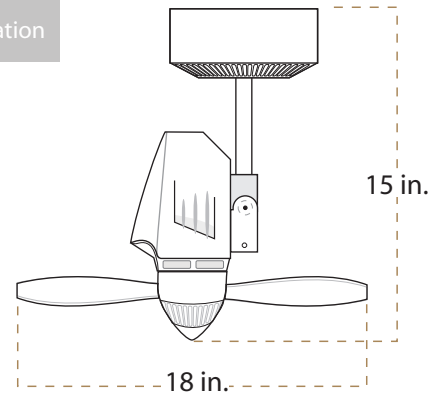
Airflow
2050
Cubic Feet Per Minute

Electricity Use
49.3
Watts (excludes lights)

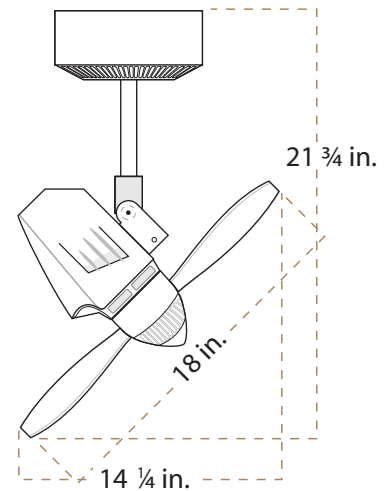
Airflow Efficiency
42
Cubic Feet Per Minute Per Watt

dimensions

0° Configuration



45° Configuration



90° Configuration

