

MODERN
FORMS
SMART
FANS

Renegade

Installation Instructions

Compatible with



General Inquiries

For all questions about your ceiling fan please read all included instructions, installation procedures, troubleshooting guidelines and warranty information before starting installation

For missing parts or general inquiries call our trained technical staff at:

1-866-810-6615 option 0

MON-FRI 8AM-8PM EST

Email: customerservice@modernforms.com
Or live chat at [modernforms.com](https://www.modernforms.com)

Fan Support

For fast service have the following information below when you call:

- Model Name and Number
- Part Number and Part Description
- Date Of Purchase and Purchase Location

1-866-810-6615 option 1

MON-FRI 8AM-8PM EST

Email: fansupport@modernforms.com

DO NOT RETURN TO STORE

Safety Rules

For operation, maintenance, and troubleshooting information, visit modernforms.com/help.

To reduce the risk of electric shock, ensure electricity has been turned off at the circuit breaker before beginning.

All wiring must be in accordance with the National Electrical Code “ANSI/NFPA 70” and local electrical codes. Electrical installation should be performed by a licensed electrician.

To reduce the risk of fire, electric shock, personal injury or damage to the fan or other items, the outlet box and support structure must be securely mounted and capable of reliably supporting a minimum of 35 lbs (15.9 kg). Use only UL/cUL listed outlet boxes marked “FOR FAN SUPPORT.” Use only the screws and washers provided with the outlet box.

The fan must be mounted with a minimum of 7 ft. (2.1m) clearance from the trailing edge of the fan blades to the floor and a minimum of 1.5 ft (0.5m) from the edge of the fan blades to the surrounding walls.

Never place objects in the path of the fan blades. To avoid personal injury or damage to the fan and other items, please be cautious when working around or cleaning the fan.

To avoid electrical shock or damage to the motor or finish, do not use water or chemicals when cleaning the fan or fan blades. A dry cloth or lightly dampened cloth will be suitable for most cleaning.

After making electrical connections, spliced conductors should be turned upward and pushed carefully up into the outlet box. The wires should be spread apart with the grounded conductor and the equipment-grounding conductor on one side of the outlet box, and the ungrounded conductor on the other side of the outlet box.

All set screws must be checked and re-tightened where necessary before installation.

WARNING: Do not install or use your fan if any part(s) is/are damaged or missing. This product is designed for use only with the supplied parts and/or accessories designated for use with this product by Modern Forms. Substitution of parts or accessories not designated for use with this product by Modern Forms could result in personal injury or property damage and will void the warranty. Contact an authorized dealer or the manufacturer if any parts are damaged or missing.

WARNING: To reduce the risk of electric shock, this fan must be installed and operated with the supplied wall control, or controlled from the Modern Forms app or Wi-Fi Touch Panel Wall Control (not included).

WARNING: Do not use power tools to assemble or install your fan. Using power tools can result in improper assembly which can lead to noise or fan damage, personal injury or property damage.

WARNING: To reduce the risk of personal injury, do not bend the blade arms when installing the brackets, balancing the blades or cleaning the fan.

WARNING: Do not insert foreign objects between rotating fan blades.

WARNING: Do not operate fan unless fan blades are in place. Noise and fan damage can occur

WARNING: This appliance is not intended for use by young children without supervision.

CAUTION: Before assembling your fan, refer to the “Making the Electrical Connections” section. If you feel you do not have enough wiring knowledge or experience, have your fan installed by a licensed electrician.

NOTE: Before servicing or cleaning the fan, switch power off at the circuit breaker.

Get Smart

All Modern Forms Smart Fans are:



WET

Durably finished and rated for interior and exterior use



Wet location-listed to the strictest UL/cUL safety regulations



Coordinate with smart devices for voice-activated control



Quiet, reliable, and up to 70% more efficient than AC fans



Wi-Fi and Bluetooth enabled for flexible control



Compatible with our free Modern Forms app

The Modern Forms app integrate seamlessly with smart home devices you already own



WORKS WITH alexa



works with the Google Assistant

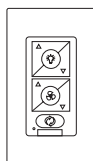


Works with SmartThings



FREE APP DOWNLOAD

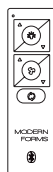
Sync with our exclusive Modern Forms app to control fan speed, use smart features like Adaptive Learning, create groups and reduce energy costs



WALL CONTROL

F-WCBT-WT

Included with each fan
6 fan speeds
Dims light to 1%
ON/OFF



REMOTE CONTROL

F-RCBT-WT White

Included with each fan
6 fan speeds
Dims light to 1%
ON/OFF



WI-FI TOUCH PANEL

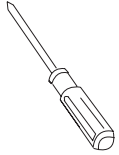
WALL CONTROL

F-TS-BK Black
F-TS-WT White
Sold separately
Full app control

Table of Contents

4	Package Contents	9.
5	Mounting Options	10.
5	Installing the Mounting Bracket	10.
6	Attaching the Fan Blades	11.
7	Hanging the Fan	12.
7	Making the Electrical Connections	14.
8	Installing the Wall Control	15.
9	Finishing the Installation	17.
10	Installing the Luminaire Module	18.
11	Controlling the Fan	20.
12	Factory Reset	21.
13	App Instructions	22.
14	Accessories	24.

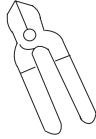
03 | Tools & Materials Required



Phillips screwdriver



Step ladder



Wire cutters



Electrical tape

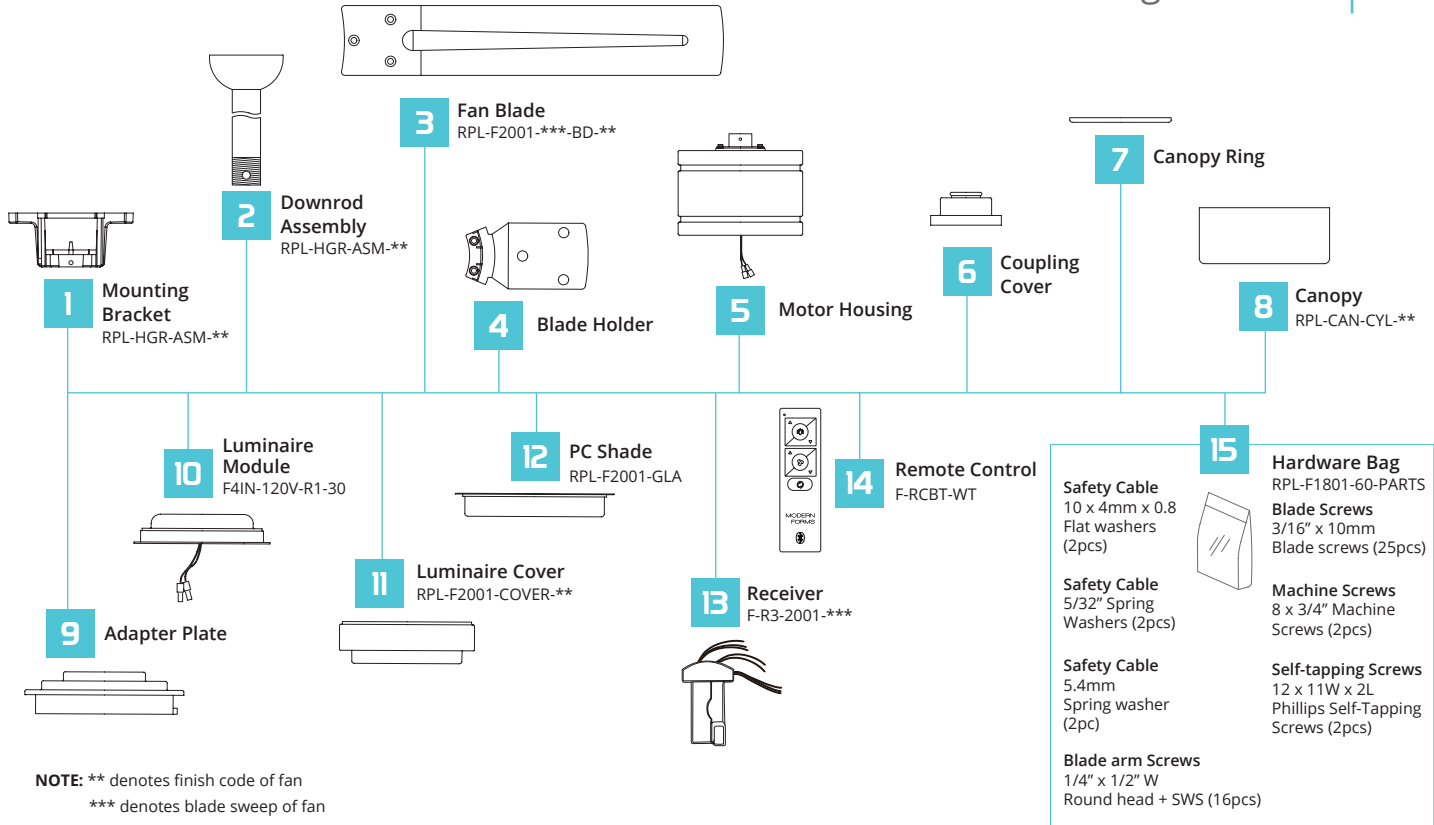
Note: Before discarding packaging materials, be certain all parts have been removed.

Note: Place the parts from the hardware bag into a small container to keep them from being lost.

MAC ID

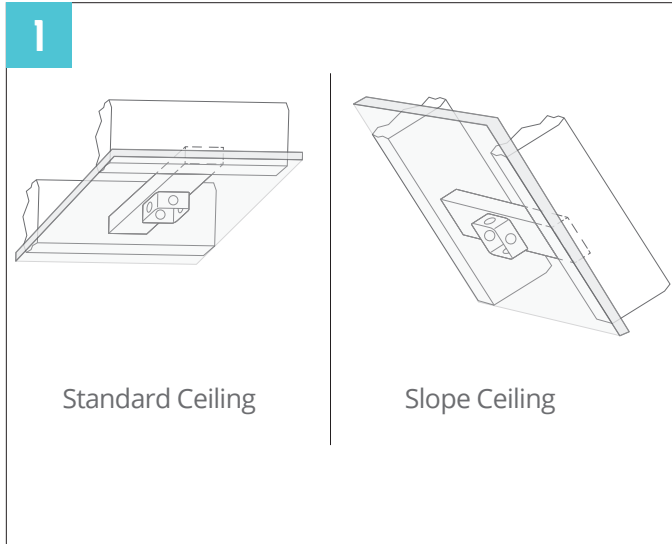
Important: Please make note of the MAC ID on the receiver and keep it in a safe place.

Package Contents | 04



NOTE: ** denotes finish code of fan
*** denotes blade sweep of fan

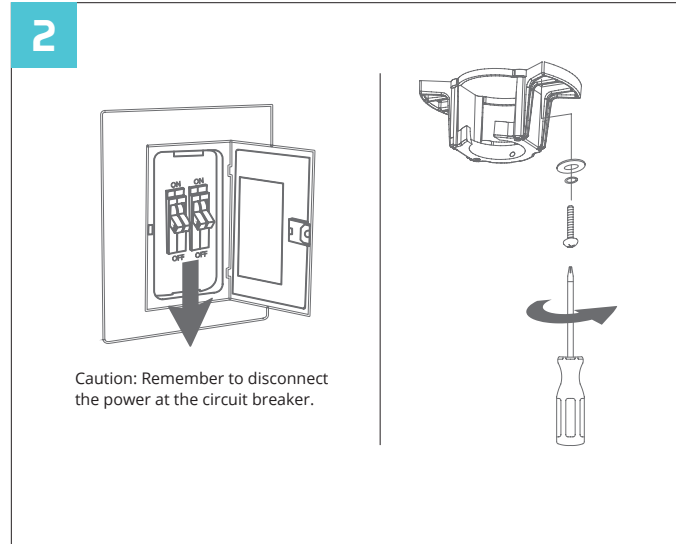
05 | Mounting Options



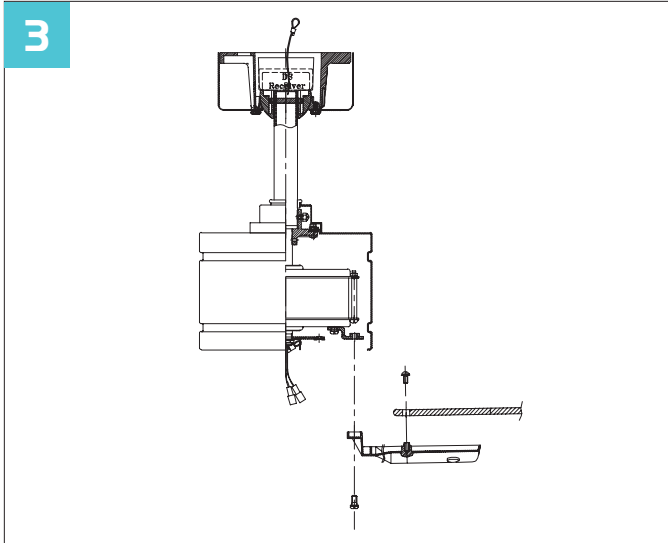
CAUTION: To prevent electrical shock, ensure electricity has been turned off at the circuit breaker before beginning.

Figures 1 and 2 are examples of different ways to mount the outlet box.

Installing the Mounting Bracket

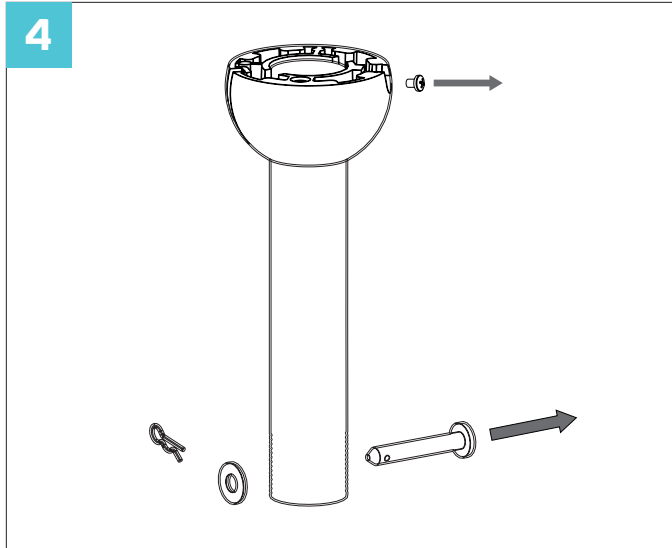


1. Remove 1 set screw from mounting bracket and set aside for use in Finishing the Installation.
2. Pass supply wires through mounting bracket and secure to outlet box.

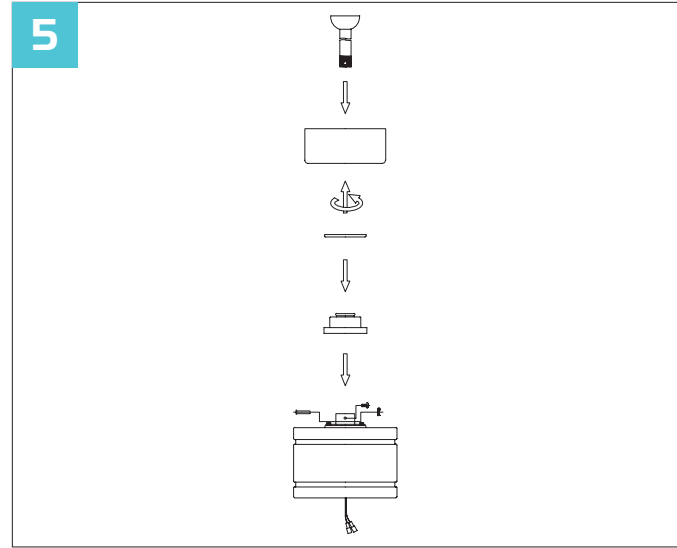


1. Place blade on motor and secure with the blade attachment, screws and washers.
2. Insert blades in slots, aligning with motor assembly holes.
3. Secure blades with blade attachment screws & washers.
4. Remove set screws from motor housing, install blade collector ring (when applicable), and re-install screws.

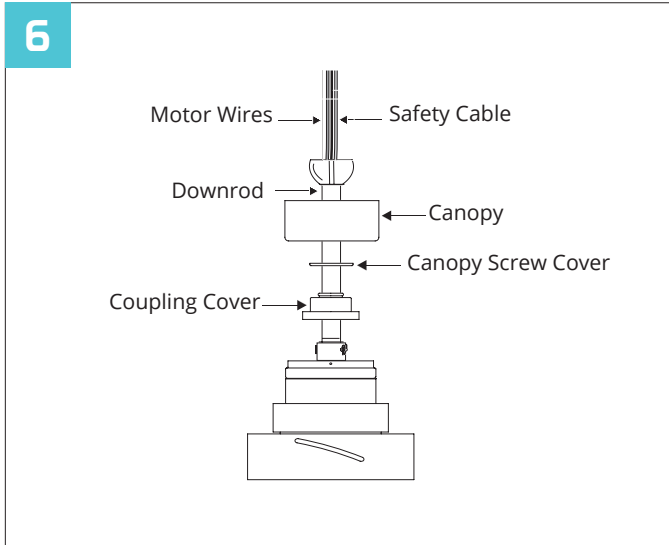
07 | Hanging the Fan



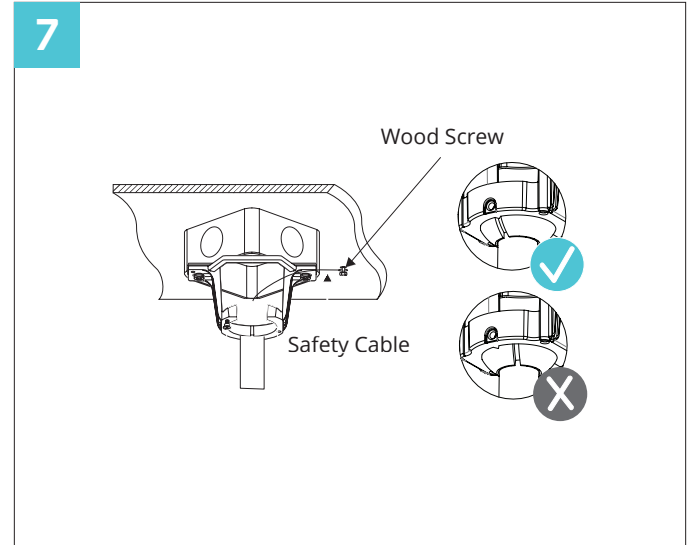
1. Remove screw from hanger ball. Remove hanger ball and cross pin.
2. Loosen 2 screws, clevis pin and cotter pin.



1. Install coupling cover, canopy screw ring, canopy and downrod assembly into motor housing as shown.

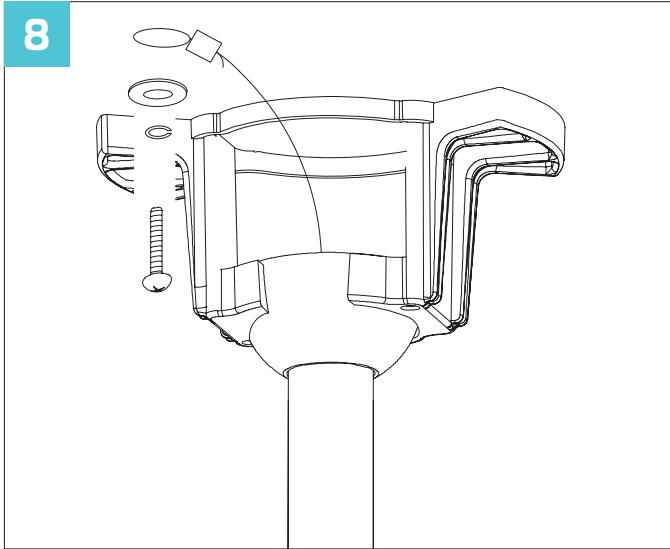


1. Align downrod and motor collar holes, re-insert pins and screws.
2. Slip up canopy and canopy screw cover. Re-install hanger ball with cross pin in correct place.



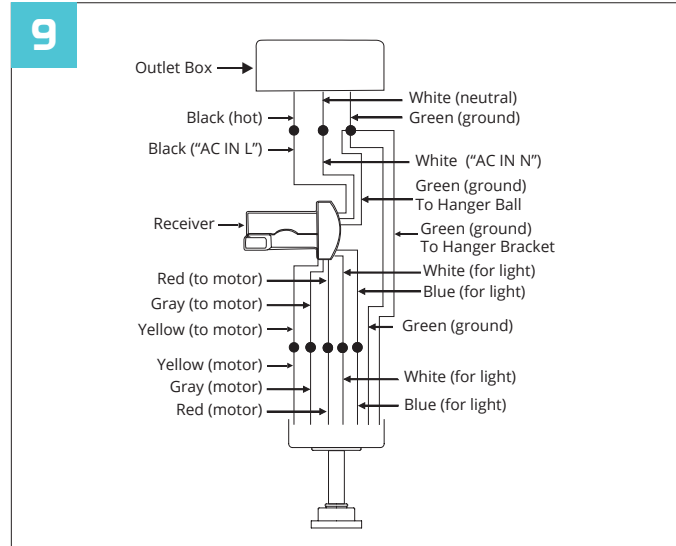
1. Seat all into the mounting bracket. Rotate until ball drops and locks into hanger bracket screw.

07 | Hanging the Fan



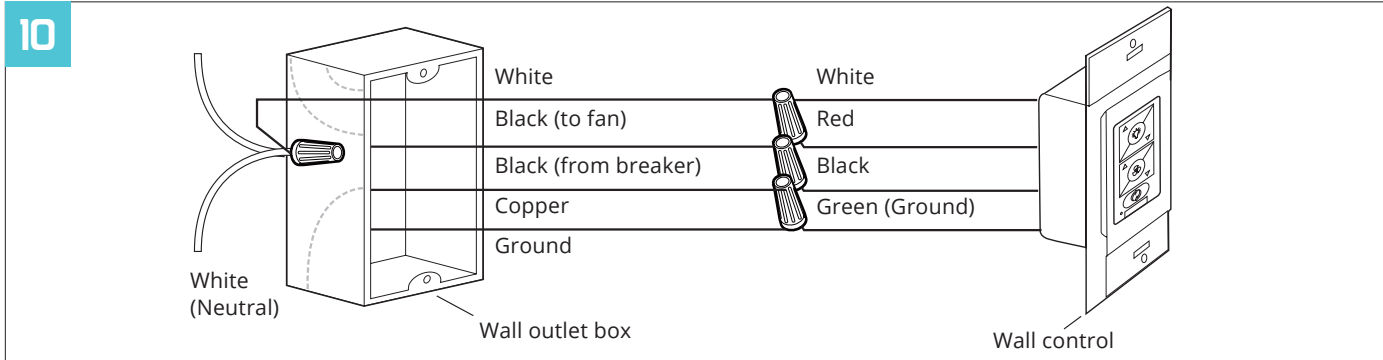
1. Secure safety cable to structure.

Making the Electrical Connections



1. Connect the wires from fan to the corresponding wires on the receiver.
2. Connect the wires from the outlet box to the corresponding wires on the receiver.

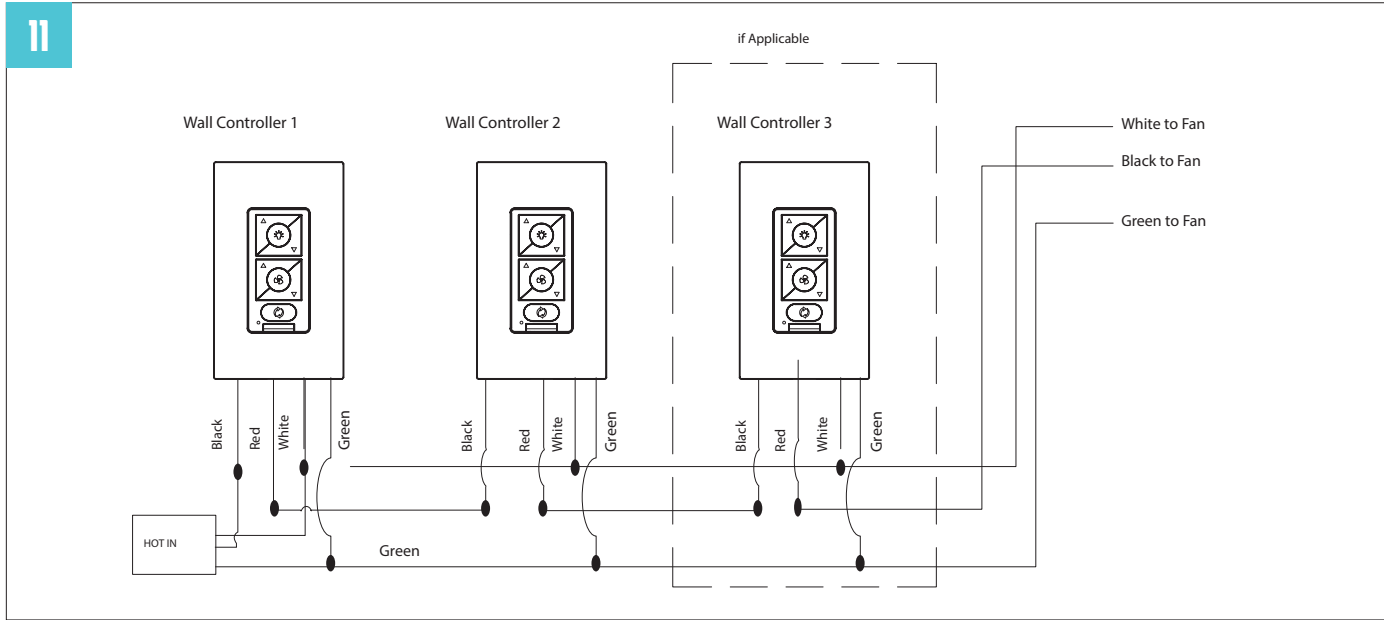
NOTE: Follow wiring diagram found on the receive hardware.



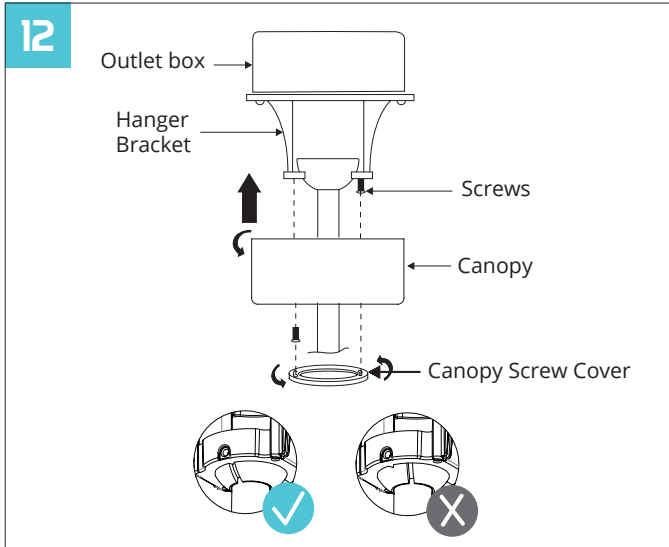
NOTE: For multi-location wiring, skip to the next step.

1. Connect the green wire marked "GROUND" from the wall control to the copper wire from the wall outlet box that feeds back to the circuit breaker – important for proper fan function.
2. Connect the black wire marked "LINE IN" from the wall control to the black LINE VOLTAGE wire from the wall outlet box that feeds back to the circuit breaker.
3. Connect the red wire from the wall control to the black wire from the wall outlet box that feeds up to the fan.
4. Connect the white wire from the wall control to the white (neutral) wire from the wall outlet box.
5. Carefully tuck the wire connections inside the outlet box. Secure the wall control with the two (2) wall control screws provided.
6. Attach the wall mounting plate over the wall switch and secure with the two (2) wall mounting plate screws provided.
7. Fasten the wall plate to the wall mounting plate.

08 | Installing the Wall Control



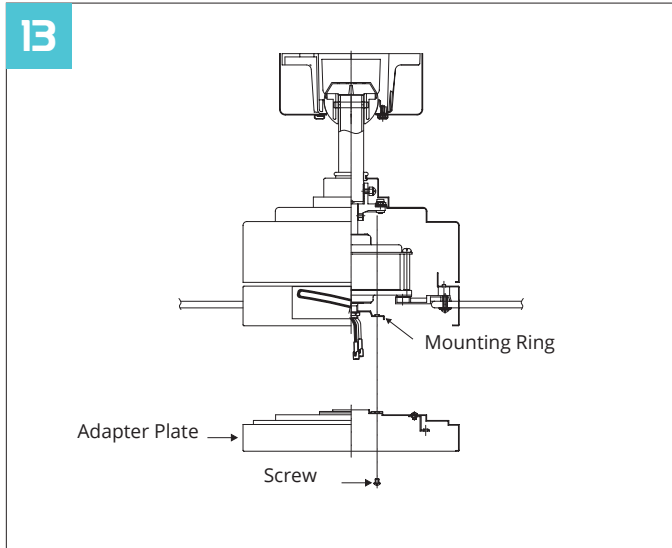
1. Install the wall control using the wiring diagram in below.
2. Individually pair each of the wall controls with the fan receiver using the pairing instructions in section 21.



1. Secure wire connectors with supplied wire ties.
2. Install canopy to mounting bracket with the screw removed in section 5.
3. Install canopy screw ring as shown.

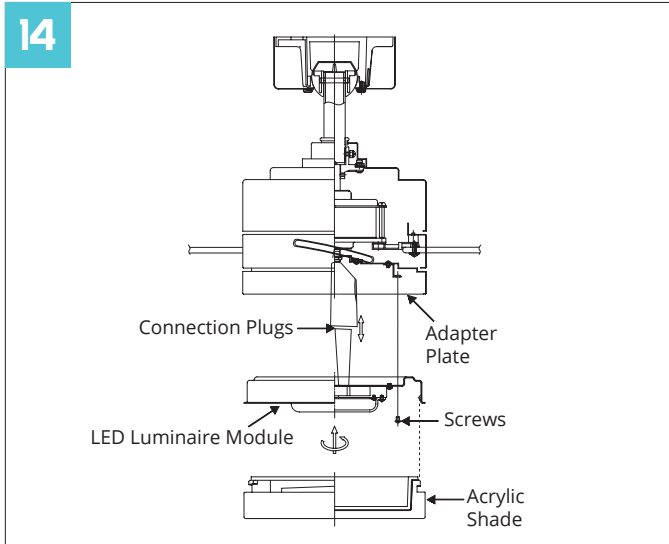
10 | Installing the Luminaire Module

13

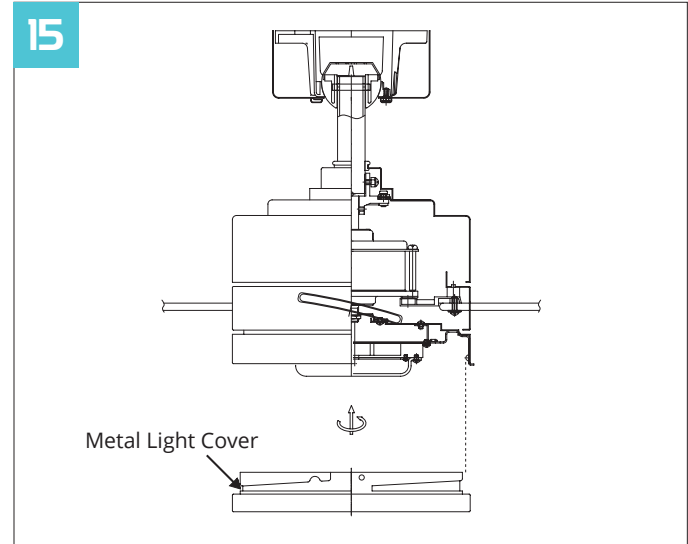


1. Remove 1 of 3 screws and loosen the others (do not remove).
 2. Using the screw from the previous step, install the adapter plate.
- NOTE:** If you are not installing the luminaire module skip to step 18.
1. Attach LED wires from motor assembly to luminaire module.
 2. Install glass shade without over-tightening.

Installing the Luminaire Module | 10



1. Secure the luminaire module with the 3 screws to the adapter plate.
2. Install glass shade without over-tightening.



1. Install metal light cover as shown.

11 | Controlling the Fan

16

Wall Control
* Air-Gap Switch only included with wall control

Remote Control

17

Pairing
Press and hold buttons for 10-15 seconds.

Unpairing
To purge, press and hold buttons for 4 seconds.

18

Summer Mode
(Counter-Clockwise)

Winter Mode
(Clockwise)

Your fan is pre-paired. If you need to pair your fan refer to step 21.

A: Light On/Off, Bright/Dim +/- **B:** Fan On/Off, Fan Speed +/-

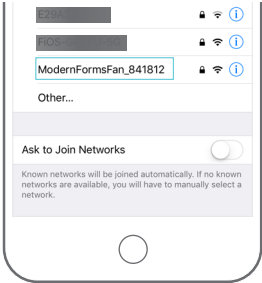
C: Reverse Button (Summer and Winter Modes)

Air-Gap Switch: Pull tab to power off in case of emergency. Not necessary for normal fan operation (only included with wall control).





NOTE: Your fan features 6 speeds. An audible tone will indicate when the speed is increased or decreased. When the fan has reached the minimum/maximum speed level the fan will beep twice.

NOTE: Pairing must be completed within 3 minutes of power being applied to the fan receiver.

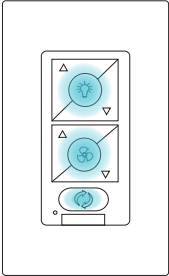
19



Fan Wi-Fi Reset

Press and hold the   and   buttons until the LED blinks green and the receiver beeps

20



Factory Reset

Press and hold buttons for 10 seconds

21



Receiver Factory Reset

Press the reset button on the receiver until the receiver beeps

NOTE: Changes to your Wi-Fi network settings (SSID or Security Passphrase) will prevent your fan from connecting to the cloud. You can re-establish connectivity by performing a Wi-Fi Reset and using the Modern Forms app to reconfigure the fan to connect to the network with the new settings.

NOTE: Factory reset will remove remote control(s), wall control(s) and Modern Forms app connections.

NOTE: You may need to factory reset your receiver if you experience issues with network connectivity.

Once your factory reset you receiver go back into the app and follow the steps.

The factory reset from the wall control only works if the wall control was successfully paired to the fan.

13 | Application

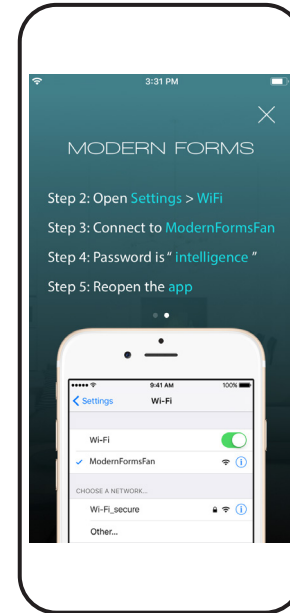
In addition to the included wall control, you can control your fan with the remote control (sold separately) or through the Modern Forms app.

To use the Modern Forms app, download it for free from the App Store or Google Play.

Open the app to create your account. You can also log in using your Facebook or Google account.

To set up a Wi-Fi connection you will need the SSID and Wi-Fi password for the network you wish to connect to.

You will receive a prompt to name your fan device and upload



For more detailed Instructions and Smart Home Device Integration
<http://modernforms.com/wp-content/uploads/2019/02/AppInstructions.pdf>

an optional picture of it if you choose.

The Modern Forms app will walk you through the main screen and show you how to create schedules, change fan speeds, dim the light, switch between Summer and Winter Modes, invite users, create groups and much more. Please refer to the Modern Forms app instructions for more details.

Scan and follow prompts for multilingual instruction options and Smart Fan FAQs:








Spanish




French



14 | Accessories

Product	Model	Description	Finish
Wi-Fi Touch Panel Wall Control 	F-TS	Full app control Sold separately	BK, WT
Bluetooth Wall Control 	F-WCBT-WT	6 fan speeds, dims light to 1% Works in conjunction with Modern Forms Smart Fan receiver (not included)	WT
Coupler 	XF-I	Connects two downrods	AS, BA, BN, BZ, CFI, GB, GH, GW, KO, MB, MW, OB, SS, TT
Slope Ceiling Kit 	XF-SCK	Designed to accommodate buildings with steeper sloped ceilings up to 45° or 12/12 pitch	AS, BA, BN, BZ, CFI, GB, GH, GW, KO, MB, MW, OB, SS, TT
Bluetooth Remote Control 	F-RCBT-WT	Compatible with Modern Forms Smart Fans 6 fan speeds, dims light to 1%	WT

Product	Model	Description	Finish	
 <p>Downrod</p>	XF-12	12" in downrod	AS, BA, BN, BZ, CFI, GB, GH, GW, KO, MB, MW, OB, SS, TT	
	XF-18	18" in downrod	AS, BA, BN, BZ, CFI, GB, GH, GW, KO, MB, MW, OB, SS, TT	
	XF-24	24" in downrod	AS, BA, BN, BZ, CFI, GB, GH, GW, KO, MB, MW, OB, SS, TT	
	XF-36	36" in downrod	All our downrods are 1" O.D. and are threaded on the motor end to create an extra layer of security to allow for adjustments in the field	AS, BA, BN, BZ, CFI, GB, GH, GW, KO, MB, MW, OB, SS, TT
	XF-48	48" in downrod		AS, BA, BN, BZ, GB, GH, GW, MB, MW, OB, SS, TT
	XF-60	60" in downrod	AS, BA, BN, BZ, GB, GH, GW, MB, MW, OB, SS, TT	
	XF-72	72" in downrod	AS, BA, BN, BZ, GB, GH, GW, MB, MW, OB, SS, TT	

Certificate of Warranty

Congratulations on your new purchase.

Your new Modern Forms Smart Fan is engineered to make life easier every day. Modern Forms creates future-forward fans and luminaires that provide energy savings and outstanding efficiency. Our dedication to doing things the right way goes beyond our love for amazing products. Modern Forms Smart Fans™ warrants any of its outdoor rated ceiling fan products that they are to be free from defects in material and workmanship for a period of one (1) year from the date of purchase; outdoor painted finishes are warranted for two (2) years; LED light modules and electronic components are warranted for five (5) years; DC motors and stainless steel finishes are warranted for lifetime under normal use to the first non-dealer purchaser.

Although Modern Forms uses the best available materials and does extensive testing for finish endurance, some fading or chalking may occur and is considered normal. For coastal locations, some corrosion and/or deterioration is considered "normal wear" in this environment. Therefore, any finish claim due to coastal environment conditions is not applicable to our warranty. If a product is defective, all efforts will be made to correct the problem in the field. If the problem cannot be resolved, an RGA number will be issued. Modern Forms obligation is expressly limited to repair or replacement, without charge, at the Modern Forms factory after prior written return authorization has been granted.

Modern Forms obligation under this warranty shall not extend beyond the distributor's initial purchase price of the product and accordingly any consequential damages or labor costs arising out of a defect are expressly excluded. This warranty shall not apply to products that have been altered, improperly installed, mishandled or misused. Notice of a defect in writing must be received by Modern Forms within five (5) years from the date of purchase (or according period of time as outlined by material). Excluded from warranty are any 3rd party component which carries its own manufacturer's warranty. Note: Modern Forms product warranty applies only to purchases from authorized Modern Forms distributors. **THERE ARE NO WARRANTIES WHICH EXTEND BEYOND THE DESCRIPTION ON THE FACE HEREOF INCLUDING WARRANTIES OF MERCHANTABILITY AND FITNESS FOR A PARTICULAR PURPOSE.**

The Bluetooth® word mark and logos are registered trademarks owned by Bluetooth SIG, Inc. and any use of such marks by Wangs Alliance Corporation is under license. Other trademarks and trade names are those of their respective owners.

Felicidades por tu nueva compra.

Su nuevo ventilador moderno de formas modernas está diseñado para facilitarle la vida cada día. Modern Forms crea ventiladores y luminarias para el futuro que proporcionan ahorros de energía y eficiencia excepcional. Nuestra dedicación a hacer las cosas de la manera correcta va más allá de nuestro amor por los productos asombrosos. Modern Forms garantiza a cualquiera de sus productos para ventiladores de techo con clasificación exterior que estén libres de defectos en materiales y mano de obra por un período de un (1) año desde el fecha de compra; Los módulos de luz LED están garantizados por cinco (5) años; Los motores de CC y los acabados de acero inoxidable están garantizados de por vida bajo el uso normal para el primer comprador no distribuidor.

Aunque Modern Forms utiliza los mejores materiales disponibles y realiza pruebas exhaustivas para la resistencia del acabado, puede producirse cierto desvanecimiento o parroteo y se considera normal. Para las ubicaciones costeras, cierta corrosión y / o deterioro se considera "desgaste normal" en este entorno. Por lo tanto, cualquier reclamación de acabado debido a las condiciones del entorno costero no se aplica a nuestra garantía. Si un producto es defectuoso, se harán todos los esfuerzos para corregirlo. El problema en el campo. Si el problema no se puede resolver, se emitirá un número RGA. La obligación de Modern Forms se limita expresamente a la reparación o el reemplazo, sin cargo, en la fábrica de Modern Forms después de que se haya otorgado una autorización previa por escrito.

La obligación de Formas modernas bajo esta garantía no se extenderá más allá del precio de compra inicial del producto por parte del distribuidor y, en consecuencia, cualquier daño consequential o costo de mano de obra que surja de un defecto se excluye expresamente. Esta garantía no se aplicará a los productos que hayan sido alterados, instalados incorrectamente, mal manejados o mal utilizados. La notificación de un defecto por escrito debe ser recibida por Modern Forms dentro de los cinco (5) años a partir de la fecha de compra (o según el período de tiempo indicado en el material). Quedan excluidos de la garantía todos los componentes de terceros que tengan la garantía de su propio fabricante. Nota: la garantía del producto Modern Forms se aplica solo a las compras de los distribuidores autorizados de Modern Forms. **NO HAY GARANTÍAS QUE SE EXTIENDAN MÁS ALLÁ DE LA DESCRIPCIÓN DE SU CARACTERÍSTICA, INCLUIDAS LAS GARANTÍAS DE COMERCIALIZACIÓN Y ADECUACIÓN PARA UN PROPÓSITO PARTICULAR.**

La marca denominativa y los logotipos Bluetooth® son marcas registradas propiedad de Bluetooth SIG, Inc. y cualquier uso de dichas marcas por parte de Wangs Alliance Corporation se realiza bajo licencia. Otras marcas comerciales y nombres comerciales pertenecen a sus respectivos propietarios.

Félicitations pour votre nouvel achat.

Votre nouveau ventilateur intelligent Modern Forms est conçu pour vous simplifier la vie au quotidien. Modern Forms crée des ventilateurs et des luminaires d'avant-garde qui permettent des économies d'énergie et une efficacité exceptionnelle. Notre engagement à bien faire les choses va au-delà de notre amour pour les produits étonnants. Modern Forms garantit à tous ses produits pour ventilateurs de plafond pour extérieur qu'ils ne doivent présenter aucun défaut de matériau ou de fabrication pendant un (1) an date d'achat; Les modules d'éclairage à LED sont garantis pendant cinq (5) ans; Les moteurs à courant continu et les finis en acier inoxydable sont garantis à vie dans les conditions normales d'utilisation par le premier acheteur non revendeur.

Bien que Modern Forms utilise les meilleurs matériaux disponibles et effectue des tests approfondis pour l'endurance de la finition, des décolorations ou des craies peuvent se produire et sont considérés comme normaux. Pour les zones côtières, une certaine corrosion et / ou détérioration est considérée comme une «usure normale» dans cet environnement. Par conséquent, toute réclamation liée à la finition en raison des conditions de l'environnement côtier ne s'applique pas à notre garantie. Si un produit est défectueux, tous les efforts seront déployés pour y remédier. Le problème sur le terrain. Si le problème ne peut pas être résolu, un numéro RGA sera attribué. L'obligation de Modern Forms est expressément limitée à la réparation ou au remplacement, sans frais, dans l'usine de Modern Forms après autorisation écrite préalable du retour.

L'obligation de Modern Forms au titre de cette garantie ne s'étendra pas au-delà du prix d'achat initial du produit par le distributeur. En conséquence, tout dommage indirect ou tout coût de main-d'œuvre résultant d'un défaut est expressément exclu. Cette garantie ne s'applique pas aux produits modifiés, mal installés, manipulés ou utilisés de manière inappropriée. Modern Forms doit recevoir un avis écrit du défaut dans un délai de cinq (5) ans à compter de la date d'achat (ou selon la période précisée dans les informations fournies). Sont exclus de la garantie tout composant tiers bénéficiant de la garantie du fabricant. Remarque: la garantie des produits Modern Forms ne s'applique qu'aux achats auprès des distributeurs agréés Modern Forms. **IL N'Y A AUCUNE GARANTIE QUI ALLAIT AU-DELÀ DE LA DESCRIPTION FACE AU PRESENT, INCLUANT LES GARANTIES DE QUALITÉ MARCHANDE ET D'ADÉQUATION À UN USAGE PARTICULIER.**

La marque et les logos Bluetooth ® sont des marques déposées appartenant à Bluetooth SIG, Inc. et toute utilisation de ces marques par Wangs Alliance Corporation est sous licence. Les autres marques et noms commerciaux appartiennent à leurs propriétaires respectifs.

