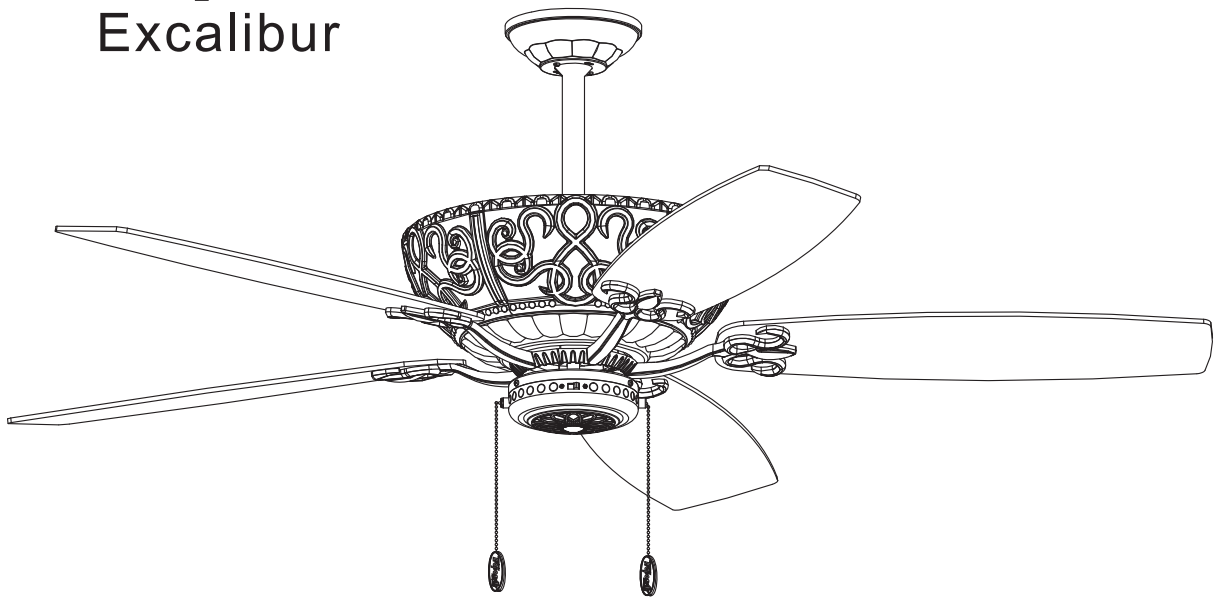


Owner's Manual

TroposAir

Excalibur



5EX60

This instruction contains 6 pages:

Page 1: Foreword

Page 2: Unpack and inspect parts contained

Page 3: Notes before installation and Hanging system installation

Page 4: Wire connection

Page 5: Canopy and Blade installation

Page 6: Switch housing and Pull Chain Knob installation



Toll Free: 1-855-676-7247

Net weight

12.5	KGS.
27.5	LBS.

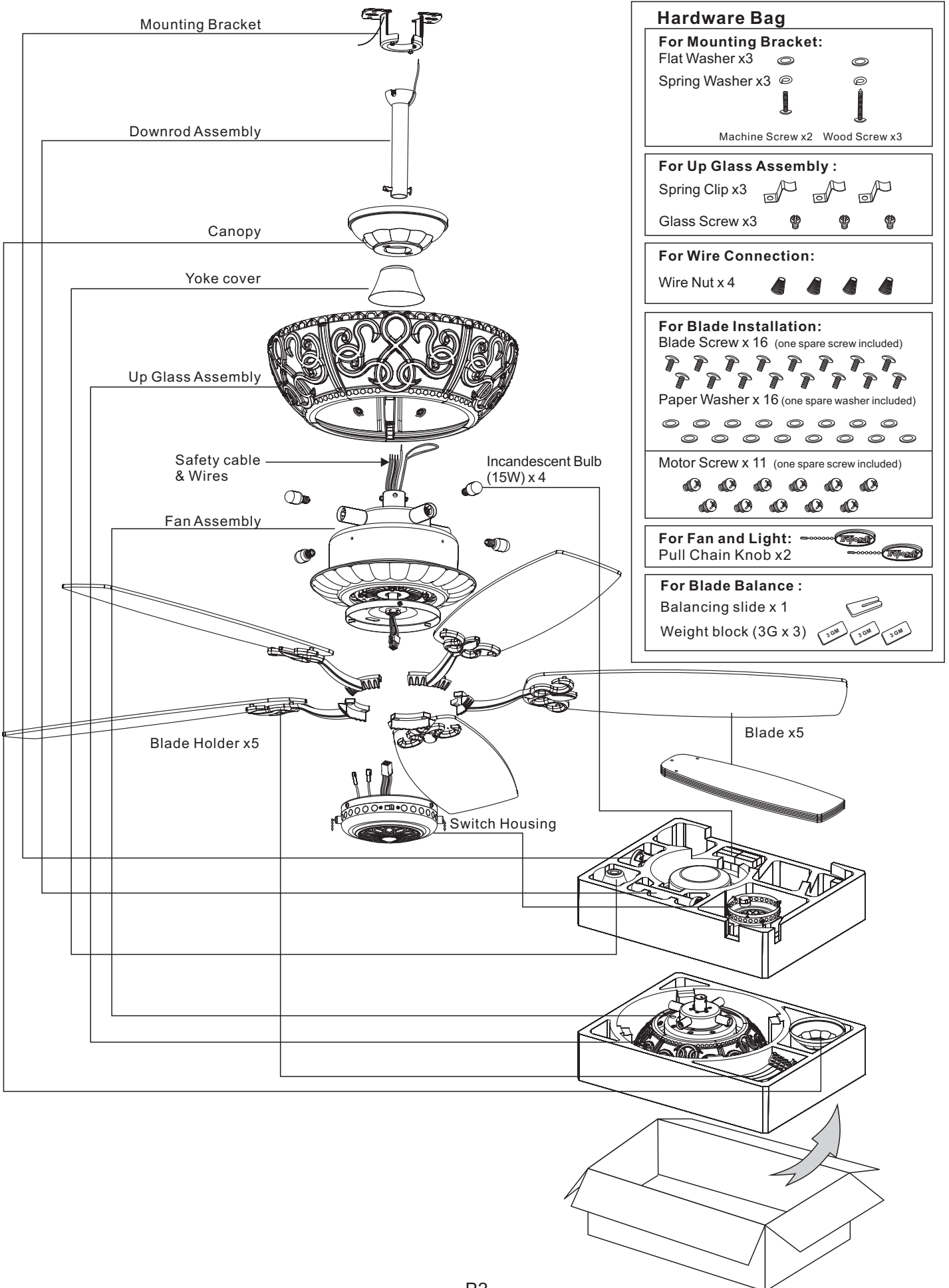
WARNING : Read and follow these instructions carefully and be mindful of all warnings shown throughout.

READ AND SAVE THESE INSTRUCTIONS

WARNING : TO REDUCE THE RISK OF FIRE, ELECTRICAL SHOCK, OR INJURY TO PERSONS, PLEASE OBSERVE THE FOLLOWING :

- 1]. To ensure the success of the installation, be sure to read the instructions and review the diagrams thoroughly before beginning.
- 2]. **To avoid possible electric shock, be sure electricity is turned off at the main power box before wiring.**
All electrical connections must be made in accordance with local codes, ordinances and/or the National Electric Code. If you are unfamiliar with the methods of installing electrical wiring and products, secure the services of a qualified and licensed electrician as well as someone who can check the strength of the supportive ceiling members and make the proper installations and connections.
- 3]. Make sure that your installation site will not allow rotating fan blades to come in contact with any object. Blades should be at least 7 feet from floor when fan is in operation.
- 4]. If possible, mount ceiling fan on a ceiling joist - the joist must be able to support the motion and weight of the moving fan. If the fan will be mounted on a ceiling outlet box, a 4" x 2-1/8" deep METAL octagon box is required ; one UL listed as " suitable for fan support ". The box and its supporting members must not be able to twist or work loose. **DO NOT USE PLASTIC BOXES.** Installation on a concrete ceiling should be performed by qualified personnel.
- 5]. Blades should be attached after motor housing is hung and in place. Fan motor housing should be kept in carton until ready to be installed to protect its finish. If you are installing more than one ceiling fan, make sure that you do not mix fan blade sets.
- 6]. After making electrical connections, spliced conductors should be turned upward and pushed carefully up into outlet box. The wires should be spread apart with the grounded conductor and the equipment - grounding conductor on one side of the outlet box and the " HOT " wires on the other side.
- 7]. Electrical diagrams are for reference only. Light kits that are not packed with the fan must be UL/ETL listed and should be installed per the light kit's installation instructions.
- 8]. After fan is completely installed, check to make sure that all connections are secure to prevent fan from falling and/or causing damage or injury.
- 9]. The fan can be made to work immediately after installation. The bearings are adequately charged with grease, so that under normal conditions, further lubrication should not be necessary.
- 10]. The fan must be turned off and stopped before reversing fan direction.
- 11]. **This fan is suitable for slope ceiling.**
- 12]. **This fan is reversible.**
- 13]. **This fan is light kit adaptable.**
- 14]. **This fan is remote adaptable.**
- 15]. **This fan is suitable for indoor use.**
- 16]. **This fan uses a 3/4" diameter (nominal) downrod.**

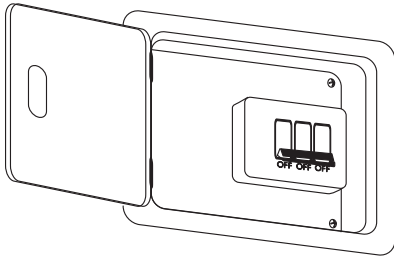
Unpack and inspect fan carefully to be certain all contents are included.



WARNING: blades should be at least 7 feet from floor

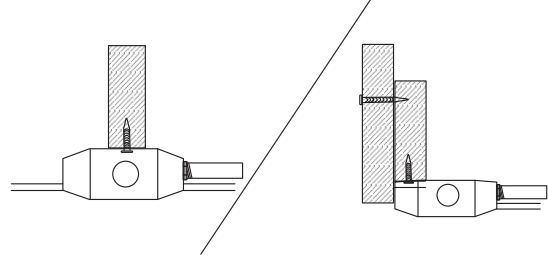
Note 1:

Turn off power at breaker box to avoid possible electrical shock.



Note 2:

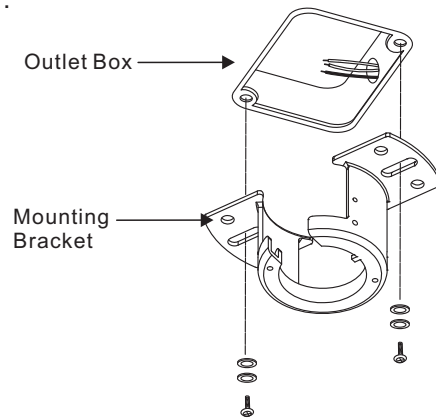
Use metal outlet box suitable for fan support.
Outlet box must support 35 lbs min.



1. HANGING SYSTEM INSTALLATION

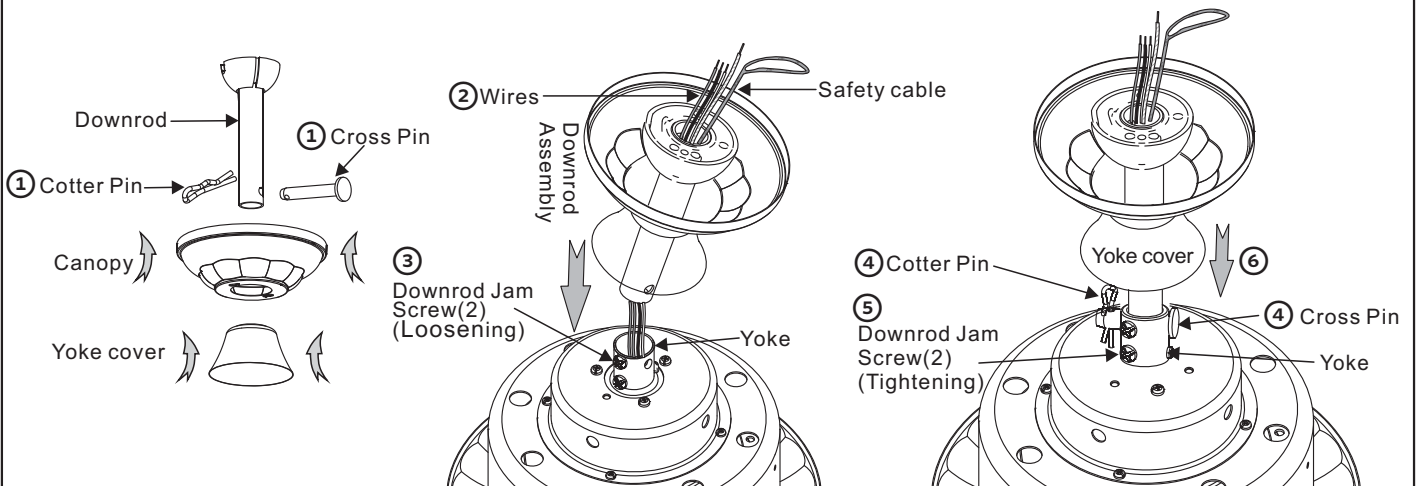
1A. Installing mounting bracket to ceiling outlet box

Install mounting bracket to outlet box in ceiling by using screws included with the outlet box and washers from the hardware bag.



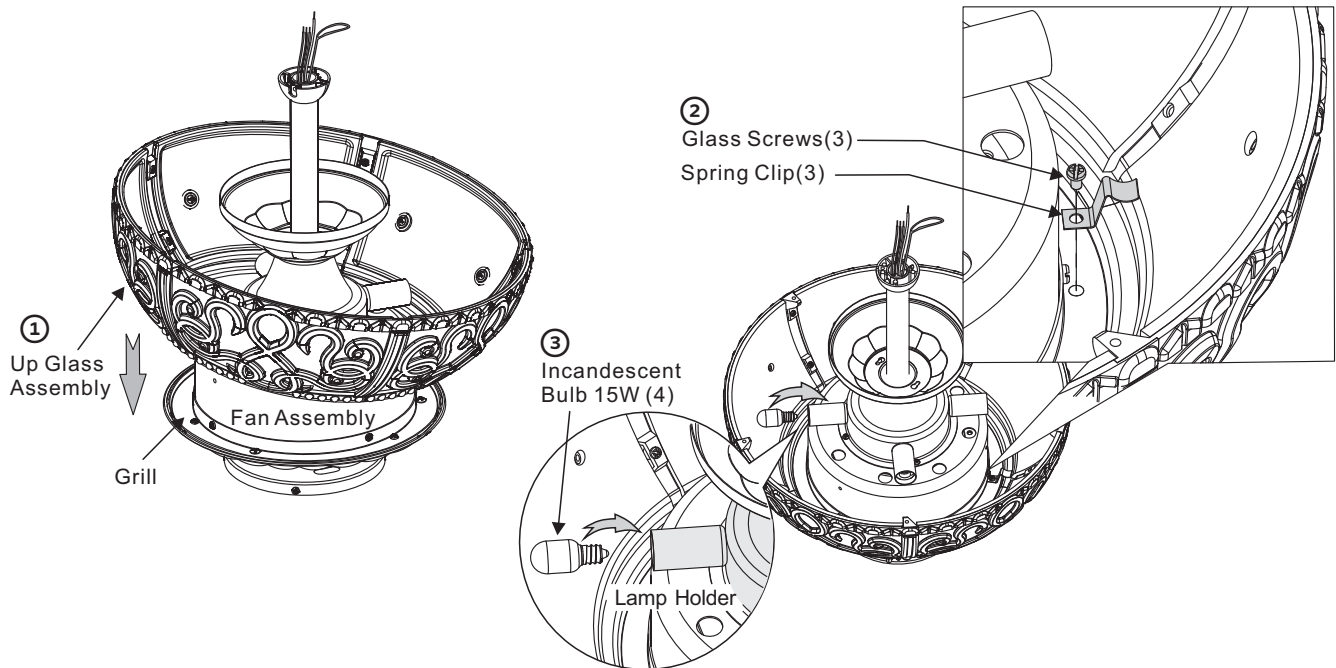
1B. Installing Downrod and Yoke

- ① Remove cross pin and cotter pin from downrod.
- ② Insert downrod through canopy and yoke cover, and feed motor lead wires & safety cable through downrod.
- ③ Loosen 2 downrod jam screws at yoke. Insert downrod assembly into yoke.
- ④ Insert the cross pin through yoke & downrod and secure with cotter pin.
- ⑤ Tighten both downrod jam screws to further secure downrod.
- ⑥ Pull down the yoke cover to cover yoke.



1C. Attaching the Up Glass Assembly onto Fan Assembly

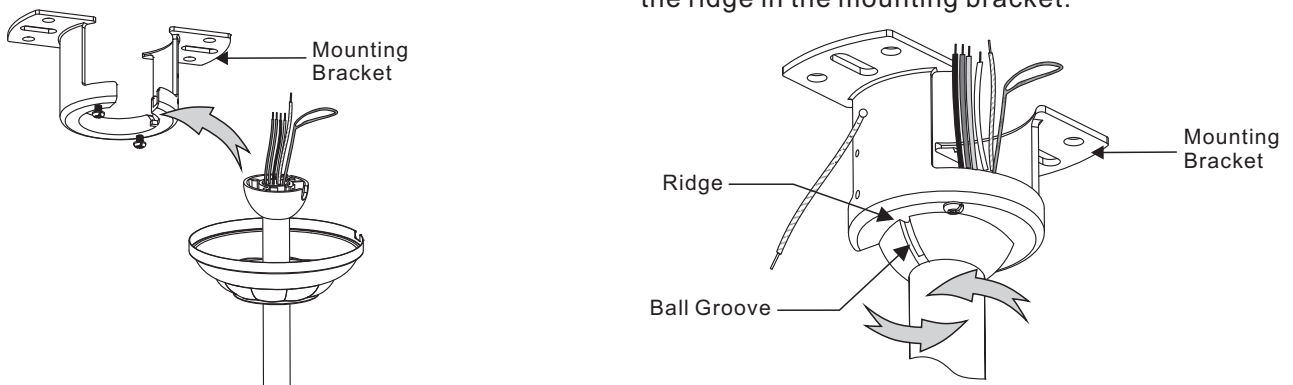
- ① Place the up glass assembly onto grill of fan assembly.
- ② Secure the up glass assembly with 3 spring clips and 3 glass screws (provided from hardware bag) onto grill.
- ③ Gently install 4 incandescent bulbs (15W) provided from box to lamp holders.



1D. Hanging the fan

Lift fan assembly onto mounting bracket.

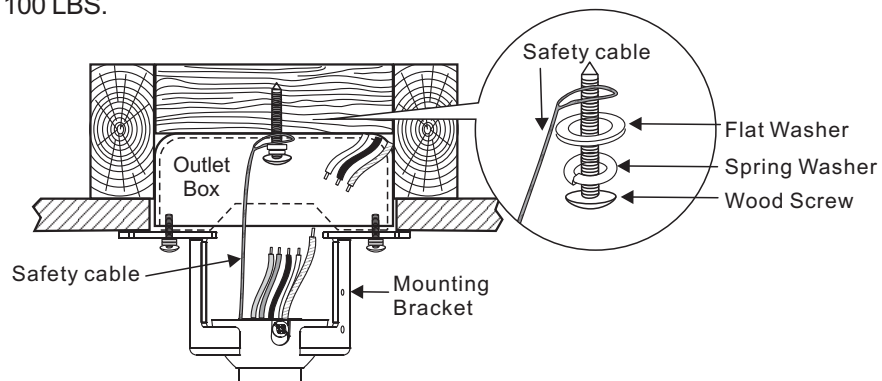
Rotate fan so that the groove on the ball engages the ridge in the mounting bracket.



2. WIRE CONNECTION

2A. Attaching safety cable to ceiling joist

Use wood screw, spring washer, and flat washer from hardware bag. Pass wood screw through closed loop of safety cable. Secure wood screw to ceiling joist through any available slot on mounting bracket. Make sure safety cable has been tightened securely. **CAUTION: THE WOOD SCREW AND ITS SUPPORT MUST BE ABLE TO FULLY SUPPORT THE WEIGHT OF AT LEAST 100 LBS.**

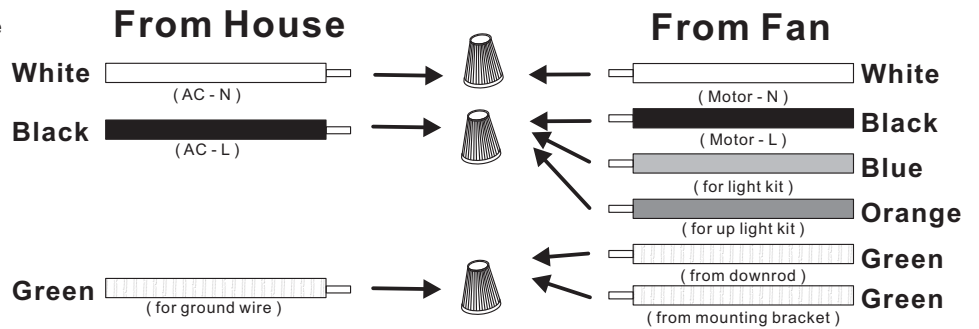
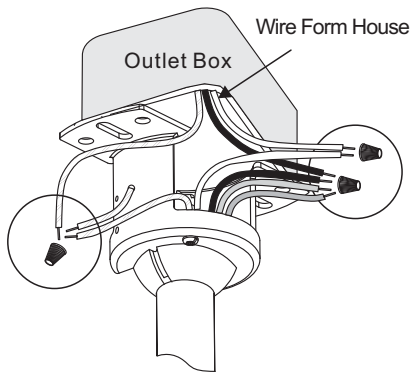


2B. Making wire connections

Follow diagram below and make sure that all exposed wires are secured inside wire nuts.

Note : Wires from house may vary in color and may not include ground wire (green).

After wiring is completed, gently push wires into junction box with nuts pointing upward.

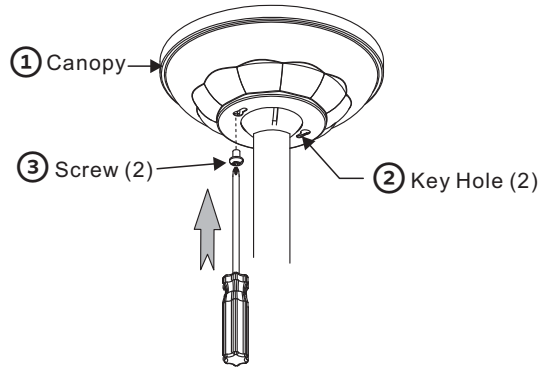


Secure with twist - lock wire nuts. (Included)

3. CANOPY INSTALLATION

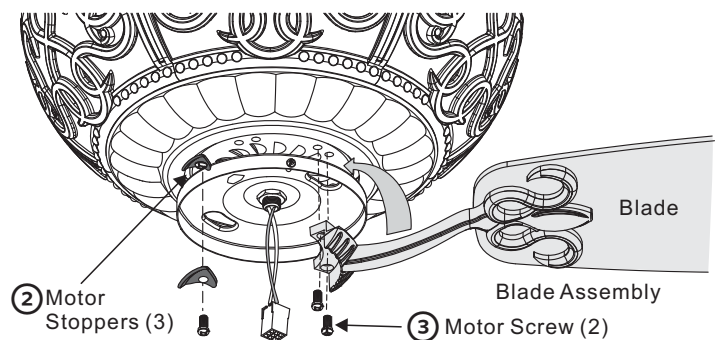
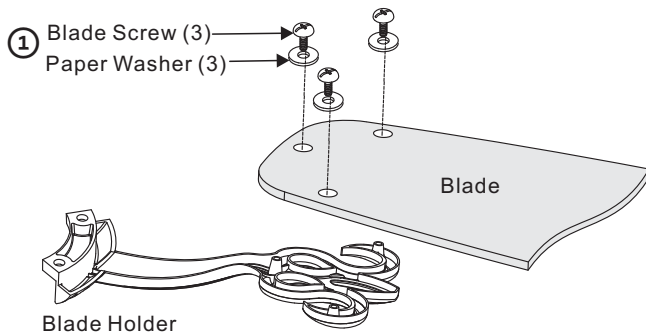
Note: Two screws are pre-installed on mounting bracket for canopy installation.

- ① Push up the Canopy until the two screws on mounting bracket are engaged with key holes in canopy.
- ② Rotate the canopy slightly until the two screw heads are in the narrow end of the key holes.
- ③ Tighten both screws.



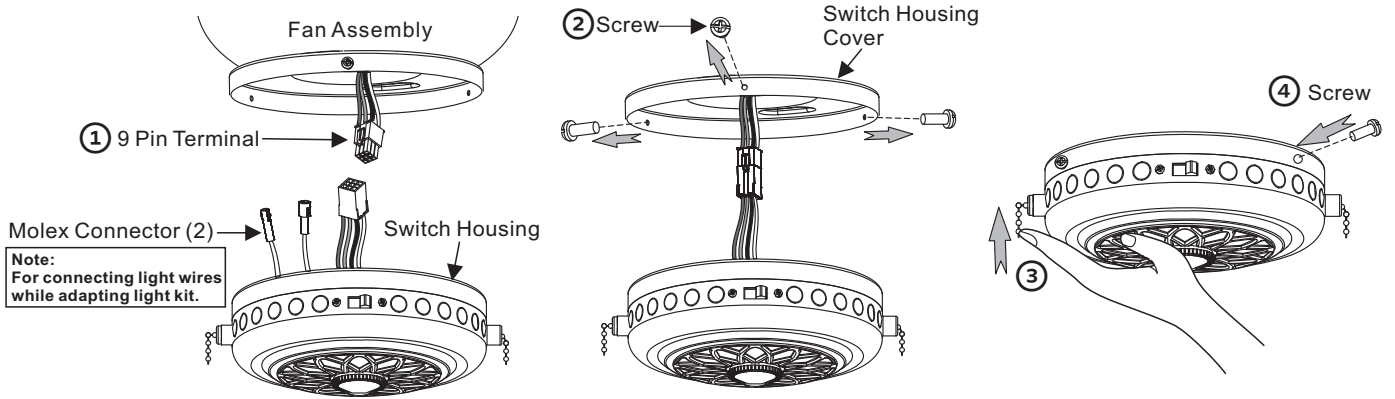
4. BLADE INSTALLATION

- ① Attach blade to blade holder with 3 blade screws and 3 paper washers provided from hardware bag. Make sure all screws are firmly tightened.
 - ② Remove 3 motor stoppers by removing screws.
 - ③ Secure Blade Assembly to the motor with 2 motor screws provided from hardware bag.
- NOTE:** To prevent wobble, do not bend blade or blade holder.



5. SWITCH HOUSING INSTALLATION & WIRE CONNECTION

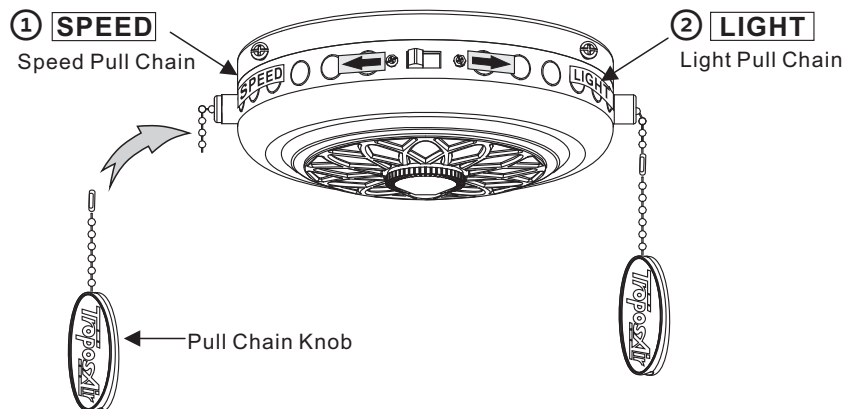
- ① Connect 9 pin terminal from fan assembly with 9 pin terminal from switch housing.
- ② Remove 3 set screws from switch housing cover and keep them for Step ④.
- ③ Lift the switch housing up in place.
- ④ Fasten switch housing and the cover together with 3 set screws removed from Step ②.



6. PULL CHAIN KNOB INSTALLATION

Note: There are two Pull Chain Knobs provided from hardware bag.

- ① **For FAN SPEED (3 speeds - High / Med / Low) :**
Connect one pull chain knob to the pull chain switch marked SPEED.
- ② **For UP LIGHT (On/Off) :**
Connect one pull chain knob to the pull chain switch marked LIGHT.



7. Turn on the power at breaker box - your fan is ready for operation.