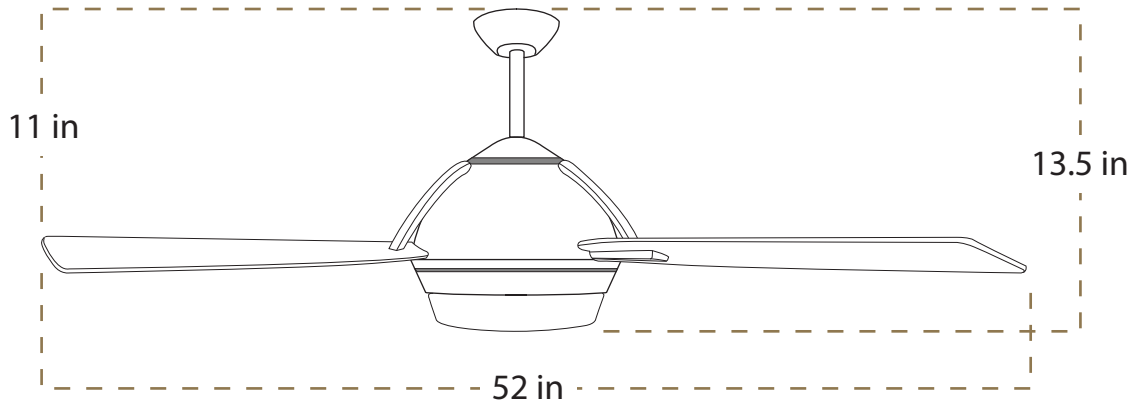


THE CEILING FAN
SHOPPE[®]

EST. 2005



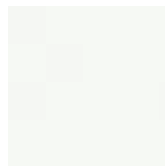
FEATURES

- INDOOR 20 YEAR LIMITED WARRANTY
- ECONOMICAL ENERGY EFFICIENT MOTOR WITH REMOTE
- INTEGRATED 50-WATT HALOGEN LIGHT
- 3-BLADE DESIGN
- PERMANENTLY LUBRICATED AND SEALED BEARINGS
- UNIVERSAL DOWN-ROD MOUNTING SYSTEM FOR FLAT & SLOPPED CEILINGS
- HANGS A TOTAL DEPTH OF 13.5 INCHES
- INCLUDED HAND HELD REMOTE CONTROL THAT CONTROLS 3 FAN SPEEDS, REVERSE AND LIGHT ON/OFF FUNCTION

FINISHES



SATIN STEEL



PURE WHITE

**ENERGY INFORMATION
 AT HIGH SPEED**

AIRFLOW	ELECTRICITY USE	AIRFLOW EFFICIENCY
5880	54.7	107.5
CUBIC FEET PER MINUTE	WATTS (EXCLUDES LIGHTS)	CUBIC FEET PER MINUTE PER WATT