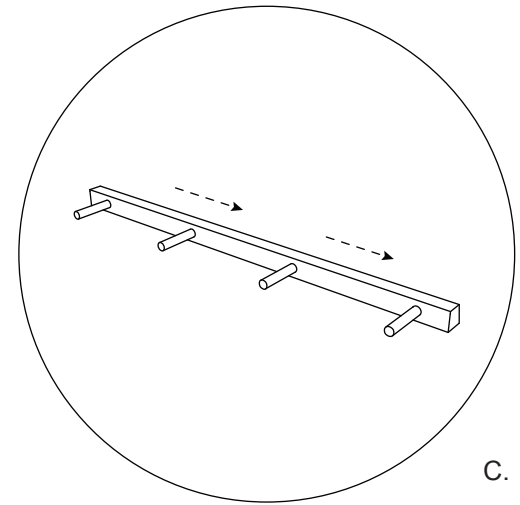
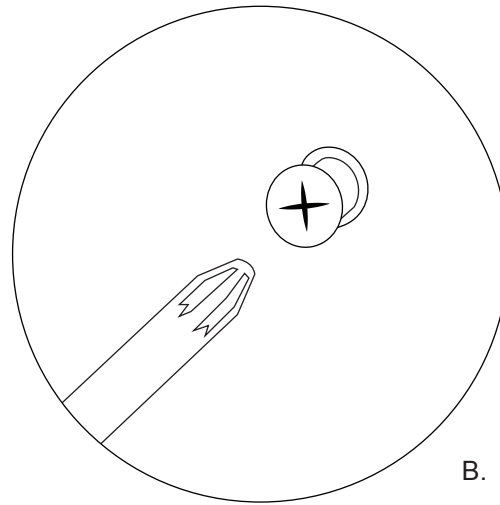
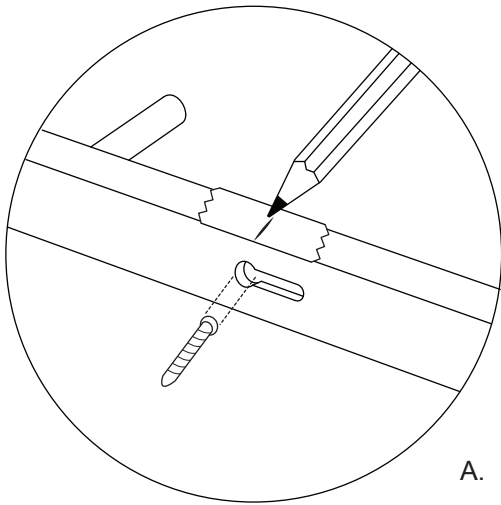

Peg Rail



Instructions

1. Place tape on the top of the Peg Rail above where the holes are for the keyhole slots (Figure A).
2. Transfer a line from the center of the hole to the top.
3. Hold the Peg Rail up against your wall with a level and transfer the lines from the tape to the wall.

4. Using a 1/4" drill bit, pre-drill holes into the the wall.
5. Insert anchors that are provided and install the screws so that they are projecting slightly from the wall (Figure B).
6. Mount the Peg Rail on to the screws and then slide it over in the keyhole slot (Figure C).