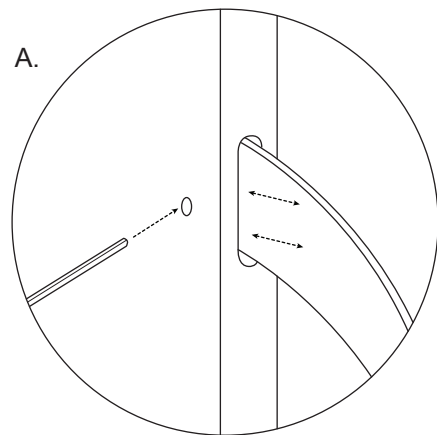
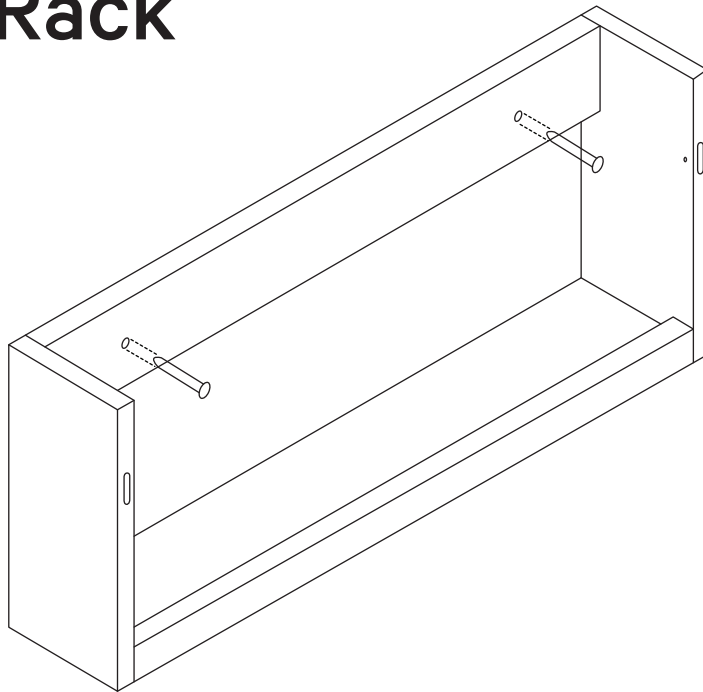


---

# Magazine Rack



---

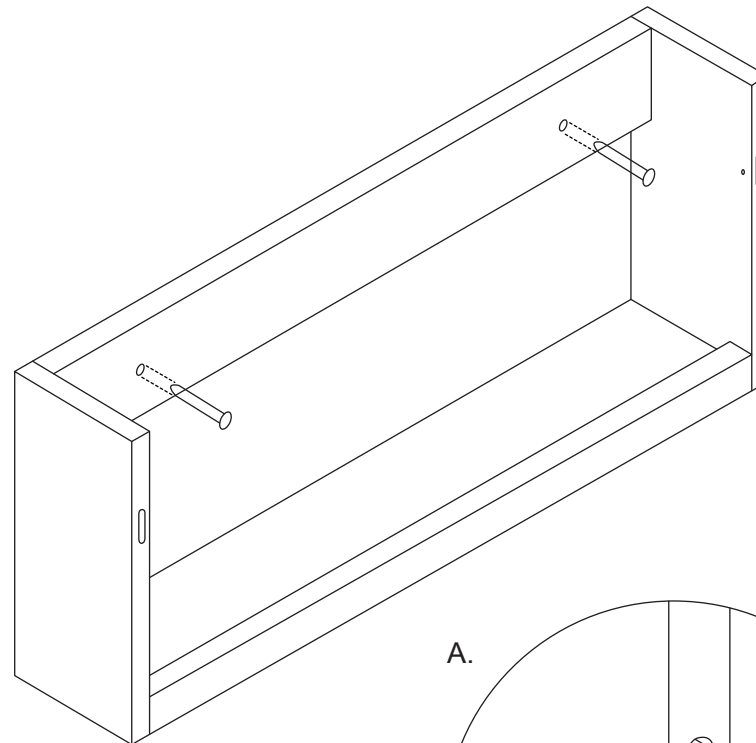
## Instructions

1. Place level on top of rack and mark your two holes
2. Drill and install drywall anchors
3. Mount using the provided brass screws.

If leather strap becomes loose, use a 1/16 hex key to loosen the set screw just behind the strap (see Figure A). Then, retighten the strap and secure the set screw back in.

---

# Magazine Rack



## Instructions

1. Using a level, mark two holes on your wall that are 9-1/2" higher than where you want your shelf to go. Recommendations above.
2. Fold your leather strap in half and secure the fastener through both holes using the provided washer.
3. Insert your shelf and level.
4. Enjoy!

\* If leather strap is loose, refer to diagram A for instructions on how to unscrew, and readjust

