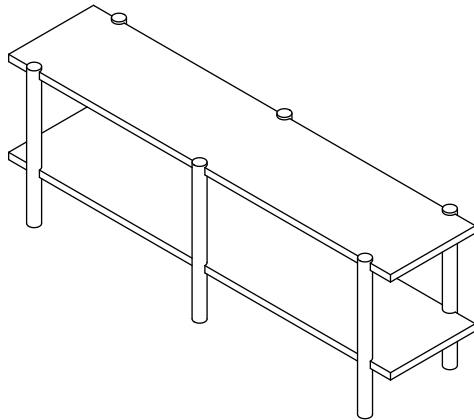
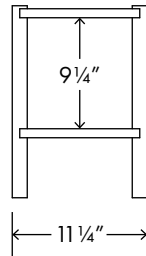
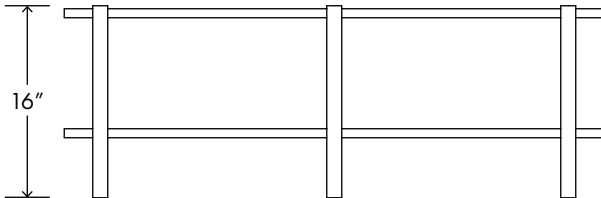
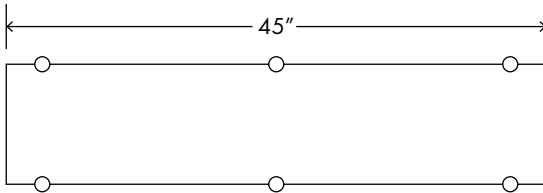


LOW SHELVING UNIT 45



**KROFT**

## SPECIFICATIONS



### MATERIALS & FINISHES

WHITE ASH

BLACK

VINTAGE BROWN

NATURAL WAX & OIL FINISH

WATER-BASED LACQUER FINISH

WATER-BASED LACQUER FINISH

ARRIVES ASSEMBLED