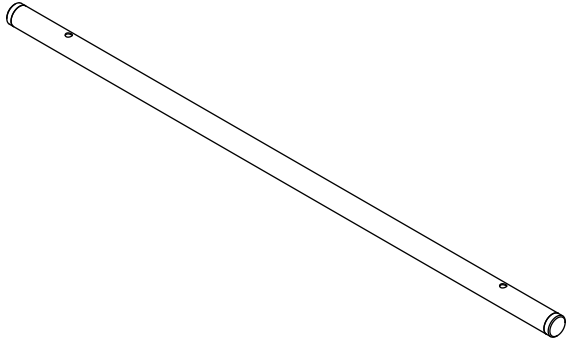
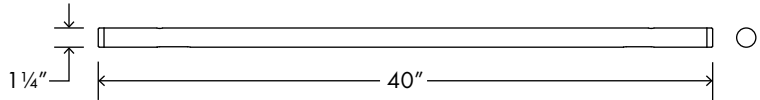
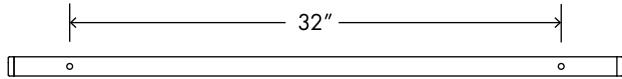


HANGING METAL CLOTHES RACK

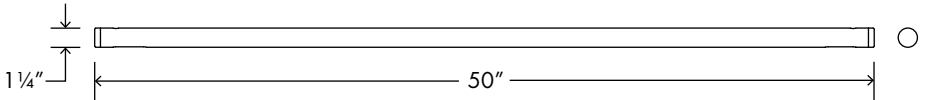
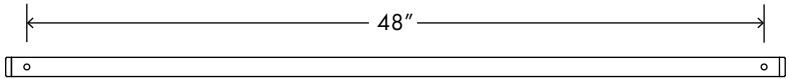


KROFT

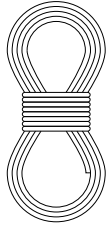
HANGING METAL CLOTHES RACK 40"



HANGING METAL CLOTHES RACK 50"



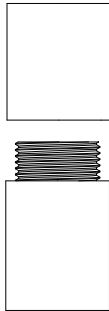
INCLUDED HARDWARE:



Cord
16 ft



Screw
x 2

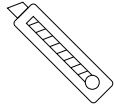


Stand Offs
x2



Cord Grip
x 2

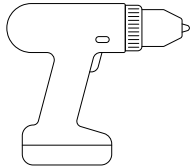
RECOMMENDED TOOLS:



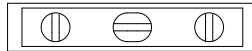
Utility Knife



Lighter



Drill

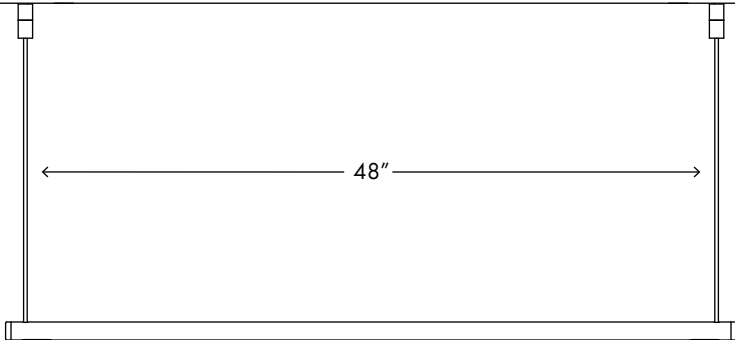
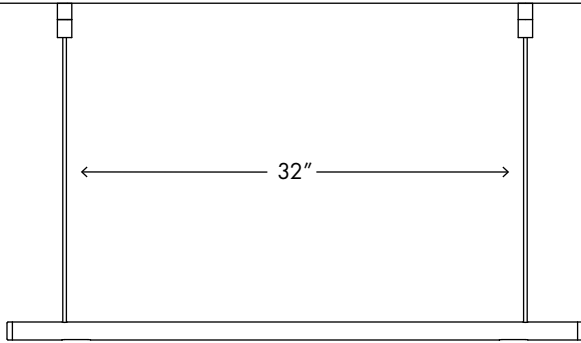


Level

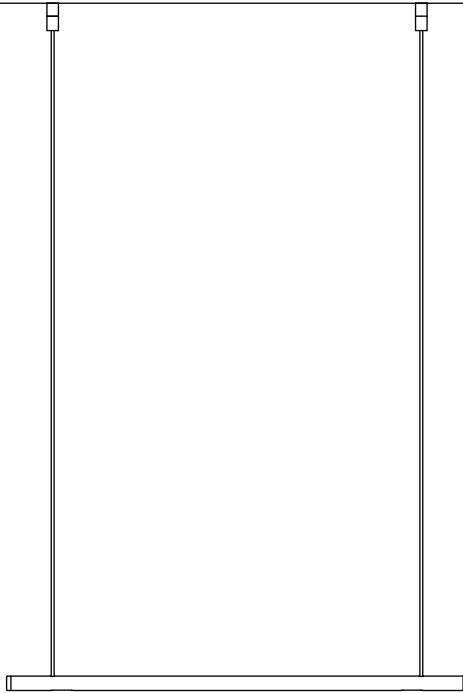
For a video tutorial on how to install our hanging metal clothes rack, visit our product page or scan the code below.



The following are additional tips and tricks for an effortless installation.

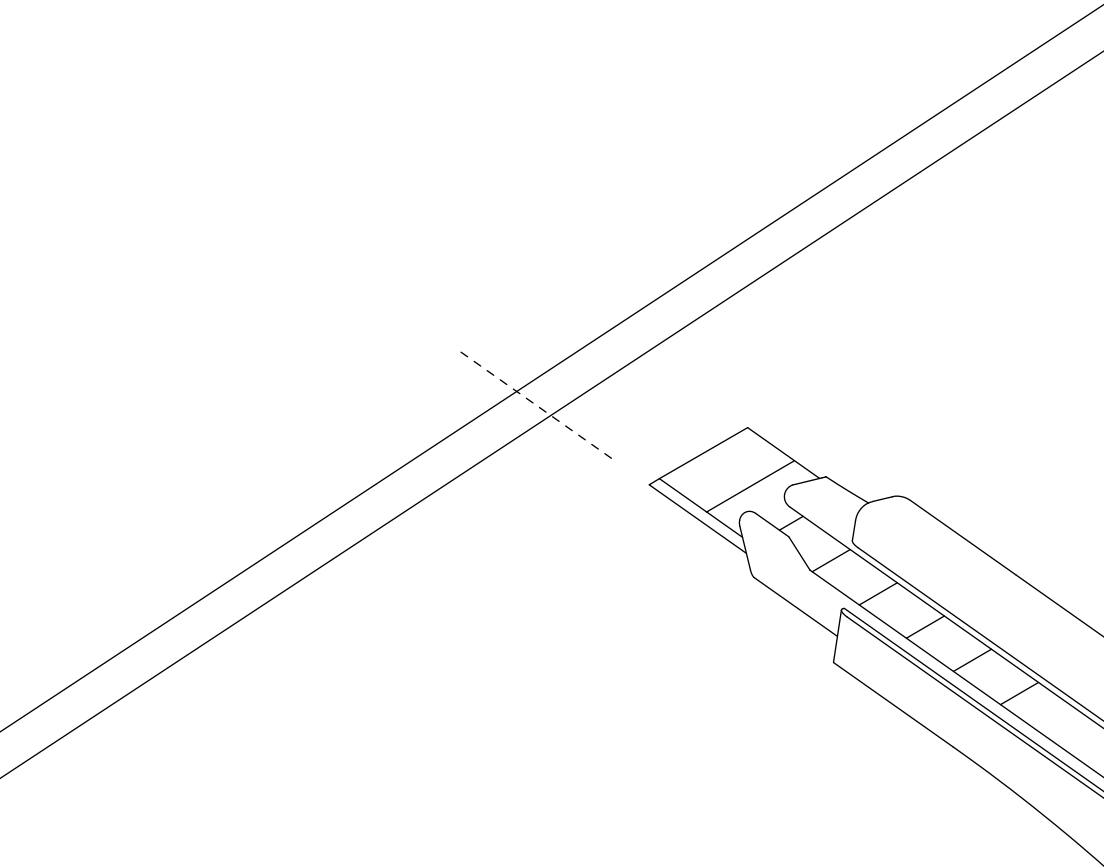


The hanging clothes rack is designed to align with ceiling studs for a secure installation. Holes must be drilled into studs at precisely 32" apart for the 40" rack or 48" apart for the 50" rack. They may also be installed directly into wood or concrete.

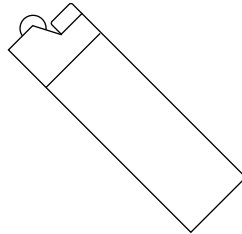
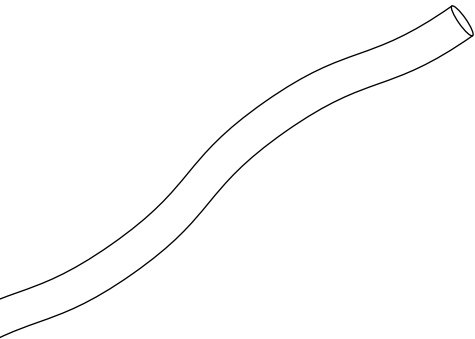


Install hanging clothes rack at full length first. The rack will hang approximately 6 to 6½ feet from the ceiling. The cord can be trimmed to adjust hanging height once installed.

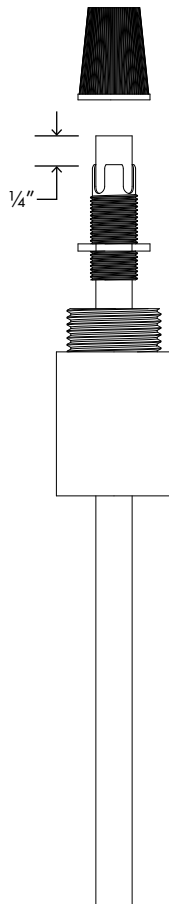
Trim cord with a sharp knife for a clean cut.



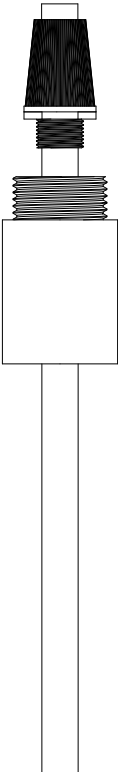
After trimming cord, apply lighter to end taking care not to burn the sides. Let cool before threading through cord grips.

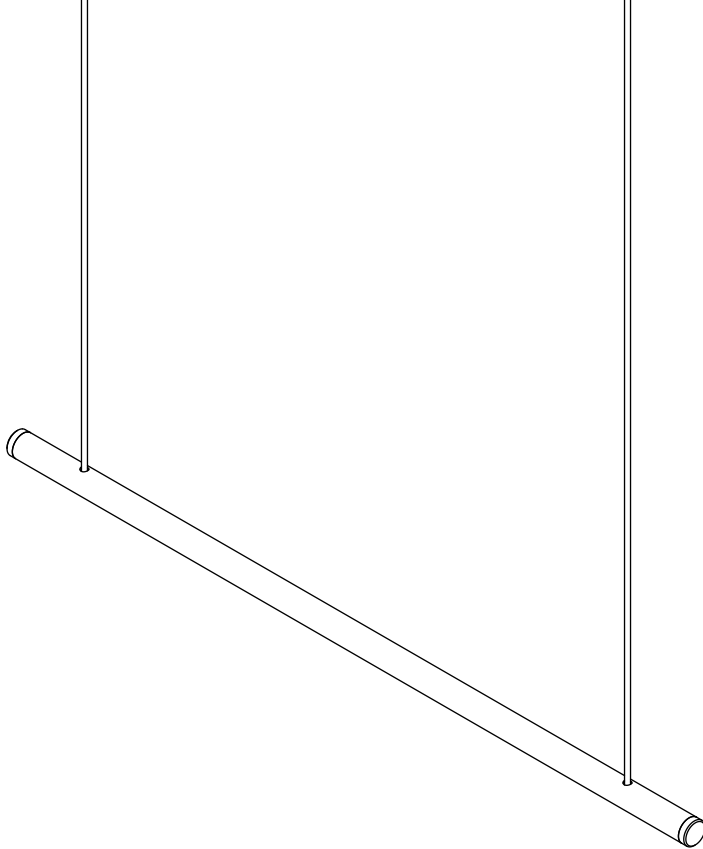


Be sure to leave at least $\frac{1}{4}$ " excess of cord through the cord grip.

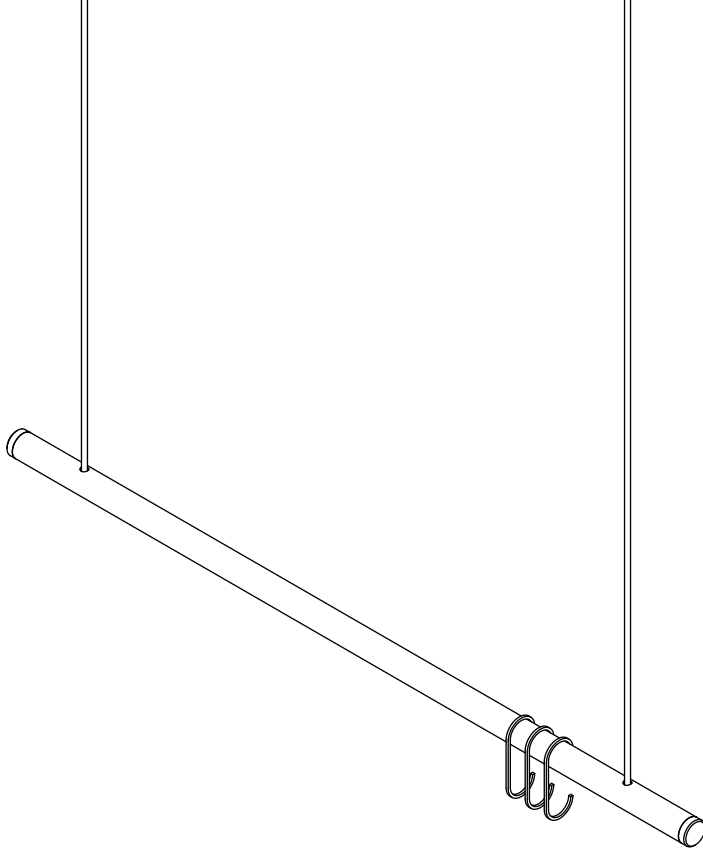


Ensure cord grip is tightened securely.





A piece of UHMW tape can be applied along length of the rod to protect the powder coat finish from rough use.



Pair with our C Hooks to make
the most of the Hanging Metal
Clothes Rack