

SAVE THESE INSTRUCTIONS: This guide contains important safety and operating instructions for lighting units.

WARNING: RISK OF FIRE OR ELECTRICAL SHOCK. This fixture must be installed in accordance with the National Electric Code and local code specifications. Failure to follow these codes and installation instructions will void the warranty and may result in serious injury and/or damage to the fixture.

DO NOT SUBMERGE IN WATER. This product is designed for above ground installation only.

DO NOT EXCEED RATED POWER/WATTAGE. (See TECHNICAL INFORMATION)

When using multiple fixtures, do not exceed the total wattage load as specified by this document (See DAISY CHAIN OPTIONS).

DO NOT EXCEED RATED VOLTAGE. (24V DC)

The product's sole use is for indoor, dry applications only. Its intended use is with Class 2 24V DC power supplies in combination with K Series Controllers (K Series Mini and K Series Duo) or K Series Dimmer. This light is intended to be used as a cabinet light on wood, particle board or other structurally sound, heat resistant surface. Care should be taken during and after installation to avoid contact of light with wiring, cord or any combustible material.

TECHNICAL INFORMATION

	27 inch	19 inch	12 inch	7 inch	3 inch
VOLTAGE	24V DC	24V DC	24V DC	24V DC	24V DC
CURRENT	800mA	600mA	400mA	200mA	75mA
POWER	19W	14W	10W	5W	2W
LENGTH	26 $\frac{3}{8}$ "	19 $\frac{1}{4}$ "	11 $\frac{7}{8}$ "	6 $\frac{1}{2}$ "	2 $\frac{3}{4}$ "
WIDTH	$\frac{7}{8}$ "	$\frac{7}{8}$ "	$\frac{7}{8}$ "	$\frac{7}{8}$ "	$\frac{7}{8}$ "

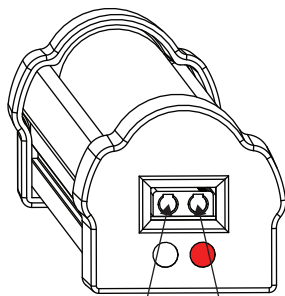
CONSTRUCTION

	Material
HOUSING	Powder-coated aluminum
LENS	Polycarbonate
MOUNTING CLIPS	ABS Plastic
SCREWS	Zinc-plated steel

WIRING

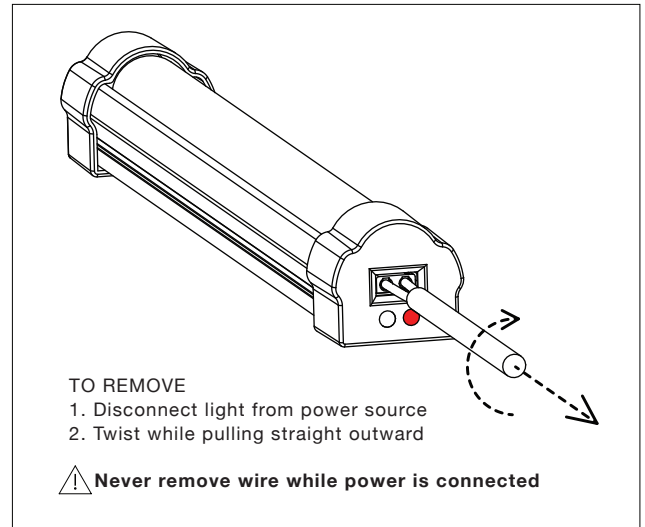
To connect light, strip individual conductor insulation 3/16" and push exposed wire directly into connector.

WHITE	Common
RED	24V DC



Connect contact above white mark to white wire (Common)

Connect contact above red mark to red wire (+24V)



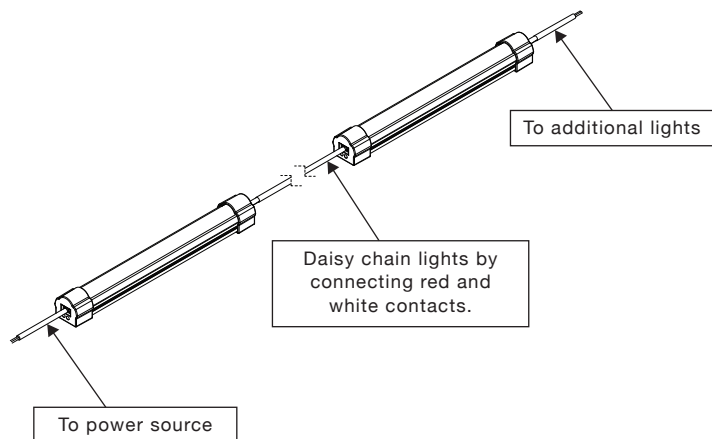
Must be used with a Listed Class 2 Power Unit and minimum 20 GA Class 2 wiring. If wiring is concealed or routed through building members, wiring must be Listed CL2X or equivalent. If wiring is not concealed, total exposed length not to exceed 10 ft. Both concealed and non-concealed Class 2 wiring shall be SPT2 or better.



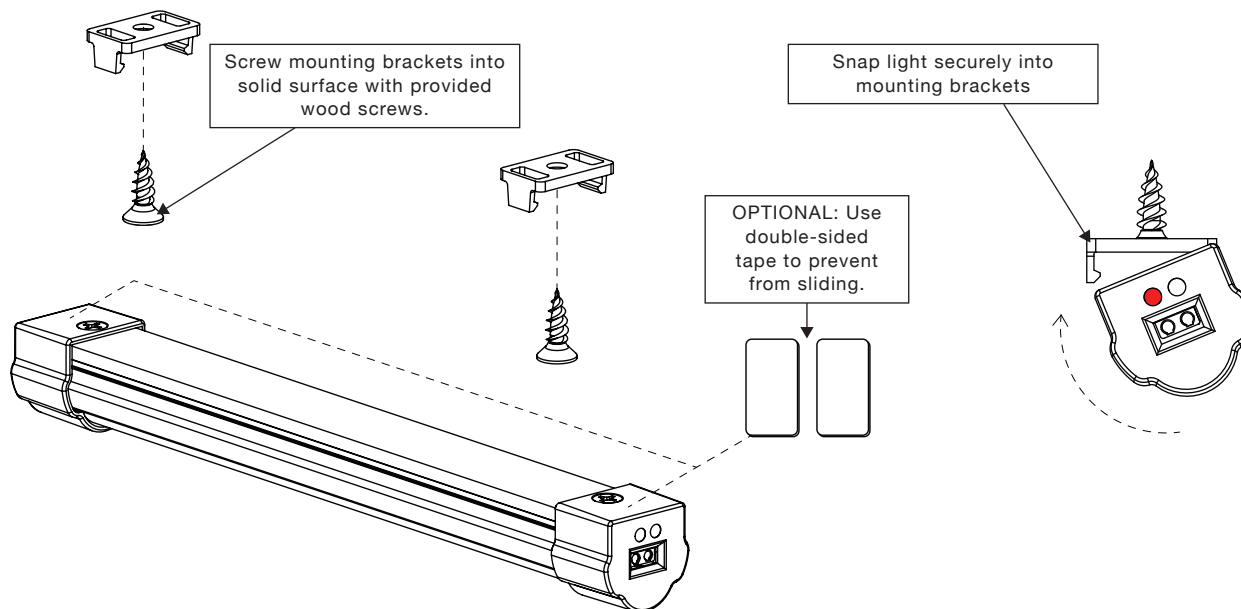
DAISY CHAIN OPTIONS

Lights are fused at 1.8A with an Auto Reset fuse.

**DO NOT CONNECT
MORE THAN 5'6" OF
LIGHTS IN A SERIES**



MOUNTING



STEP BY STEP VIDEO GUIDE

For a step by step video tutorial, scan this code.



For more information, please visit havenlighting.com