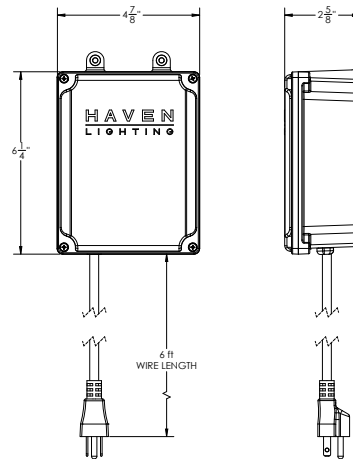


# OUTDOOR / INDOOR MINI OUTDOOR CONTROLLER



## DIMENSIONS



## TECHNICAL SPECIFICATIONS

### POWER INFORMATION

**Voltage:** 10 – 28V DC

**Current:** 4A (96W)

**WiFi Frequency:** 2.4 Ghz

Configured to work with Common Cathode LED configurations (connections to light should be Negative, R, G, B)

### Simple. Rugged. Compact.

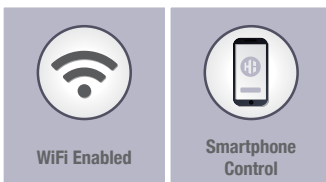
The Full Color Outdoor Mini WiFi LED Controller features include adjustable white, dimming, inputs for home automation, 20 color options, and 7 changing color patterns. The white setting can be adjusted from 2500K – 6500. This is all easily controlled with the wireless wall switch (sold separately). Multiple controllers sync together to operate in unison.

## INCLUDED



Barrel Jack Power Supply

## FEATURES



## OPTIONS



Outdoor / Indoor

MODEL NUMBER	MODEL NAME	POWER
QCSH96	Full Color WiFi Mini Outdoor	96W