

# OUTDOOR / INDOOR ALUMINUM LED CHANNEL

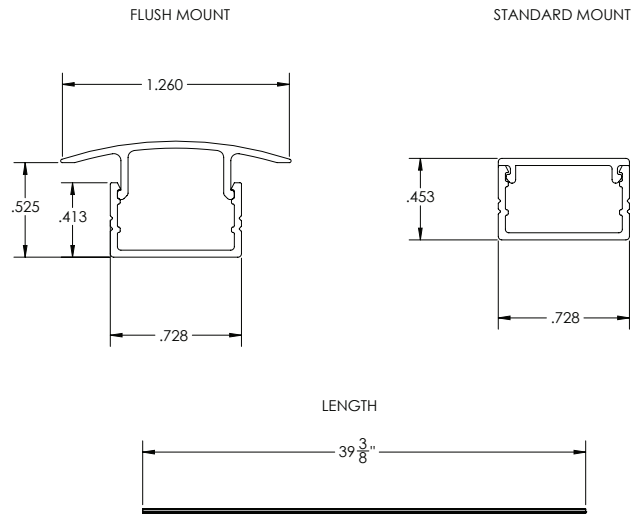


Flush Mount



Standard Mount

## DIMENSIONS



These anodized aluminum extrusions allow you to place our LED strips anywhere. The extrusion blocks the direct view of the LEDs themselves when looking from the side adding even more versatility to the Haven Lighting product lines. Paint them to camouflage them with their surroundings. They are 1 meter in length and come in groups of 5 and 10 or individually.

MODEL NUMBER	QUANTITY	LENGTH	CHANNEL FINISH	COVER STYLE
RE1A1	1 Pack	39 <sup>3</sup> / <sub>8</sub> " length	Anodized Aluminum	Standard Mount
RE15A1	5 Pack	39 <sup>3</sup> / <sub>8</sub> " length	Anodized Aluminum	Standard Mount
RE110A1	10 Pack	39 <sup>3</sup> / <sub>8</sub> " length	Anodized Aluminum	Standard Mount
FE1A1	1 Pack	39 <sup>3</sup> / <sub>8</sub> " length	Anodized Aluminum	Flush Mount
FE15A1	5 Pack	39 <sup>3</sup> / <sub>8</sub> " length	Anodized Aluminum	Flush Mount
FE110A1	10 Pack	39 <sup>3</sup> / <sub>8</sub> " length	Anodized Aluminum	Flush Mount