

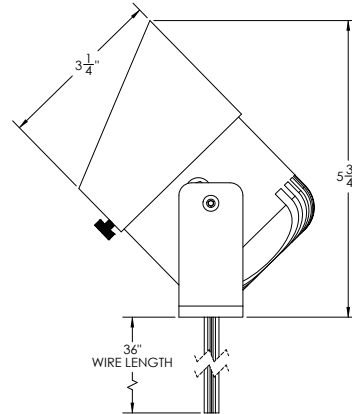


3 INCH

Sleek and modern, our LED aluminum up light creates the perfect light to accent a property's distinct features. These lights encourage expression and depth to landscapes while increasing a property's overall value. Powerful and refined, these up lights have;

- Integrated LEDs that are easily replaceable without removing the fixtures.
- Infinite vertical tilt up to 270 degrees.
- Haven Lighting Anti-moisture connections.

**DIMENSIONS**



**TECHNICAL SPECIFICATIONS**

**POWER INFORMATION**

**Voltage:** 12V – 15V AC

**Wattage:** 6W

**Max Voltage:** 15V AC

**Brightness:** 10 Levels

**Lens Angle:** 10°, 25°, 45°, and 60° included (45° for color)


**Full Color Specifications:** See the last page of this guide

**Transformer:** 9 Series required (sold separately)

**LUMENS**

WHITE	RED	GREEN	BLUE
414	286	339	159

**FEATURES**

 Weatherproof	 Cast Aluminum Finish	 Dimmable	 Smartphone Control	 Full Color (RGBW)	 Swappable Lens Angles
---	---	---	---	--	--

MODEL NUMBER	COLOR OPTION	LED/MAX POWER	FIXTURE SIZE	STAKE OPTION
9FAU36W-2	RGBW	6W / 7W	3 Inch	Steel Spikes