

1 LIGHT  
**36**  
POSSIBILITIES

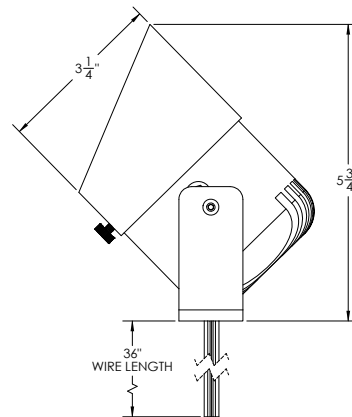


3 INCH

Sleek and modern, our LED aluminum up light creates the perfect light to accent a property's distinct features. These lights encourage expression and depth to landscapes while increasing a property's overall value. Powerful and refined, these lights have;

- Integrated LEDs that are easily replaceable without removing the fixtures.
- Infinite vertical tilt up to 270 degrees.
- Haven Lighting Anti-moisture connections.

**DIMENSIONS**



**TECHNICAL SPECIFICATIONS**

**POWER INFORMATION**

**Voltage:** 12V – 15V AC

**Wattage:** 3W, 4.5W, 6W (Selectable)

**Max Voltage:** 15V AC

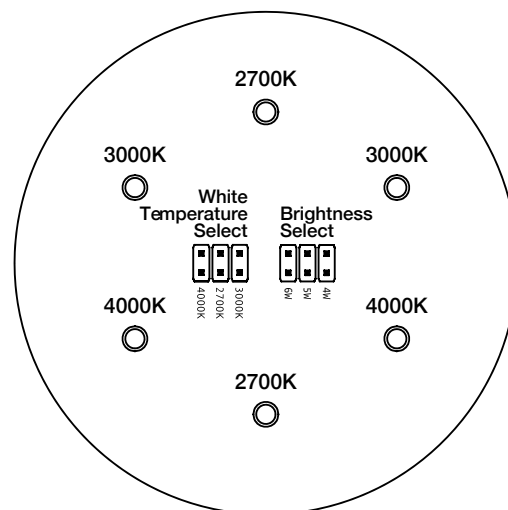
**Lens Angle:** 10°, 25°, 45°, and 60° included

**Lumens:** 690

**Color Temperature:** 2700K, 3000K, 4000K (Selectable)

**Transformer:** Stratus or Mosaic (sold separately)

**CIRCUIT BOARD LAYOUT**



**FEATURES**

 Weatherproof	 Cast Aluminum Finish	 Classic White (W)	 Swappable Lens Angles
---	---	--	--

MODEL NUMBER	COLOR SELECTIONS	LED/MAX POWER	FIXTURE SIZE	STAKE OPTION
 6SAU36W-2	2700K / 3000K / 4000K	6W / 7W	3 Inch	Steel Spikes

 = Best Seller